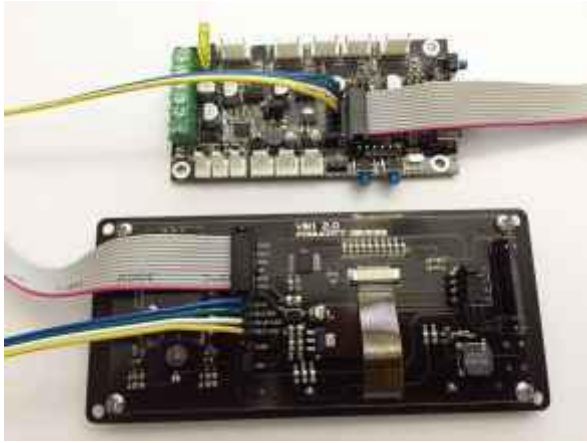
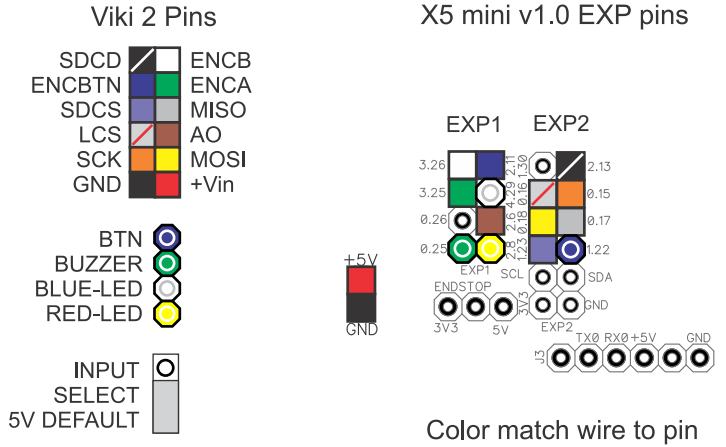


# VIKI 2.0 LCD WIRING DIAGRAM

## Azteeg X5 mini V1.1 using IDC cable



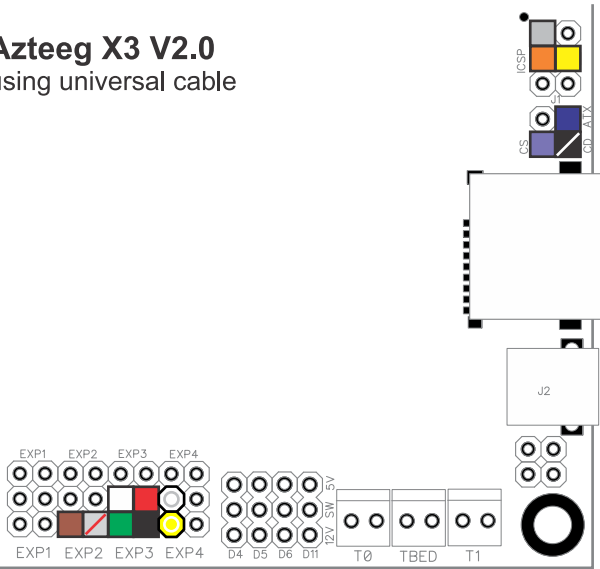
## Azteeg X5 mini V1.0 using universal cable



The Viki 2.0 connects directly to the X5 mini v1.1 using an IDC cable to EXP2 and 4 wire cable to EXP1 as shown. Use the red mark on the IDC to match the pins on both ends. To enable the LCD on Smoothieware just set this line to "true". Use all default pin designations on config file for X5 mini.

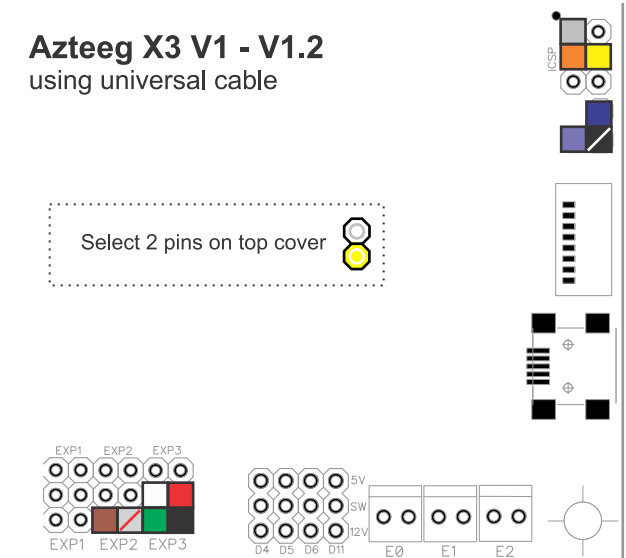
`panel.enable`                      `true`                      # set to true to enable the panel code

## Azteeg X3 V2.0 using universal cable



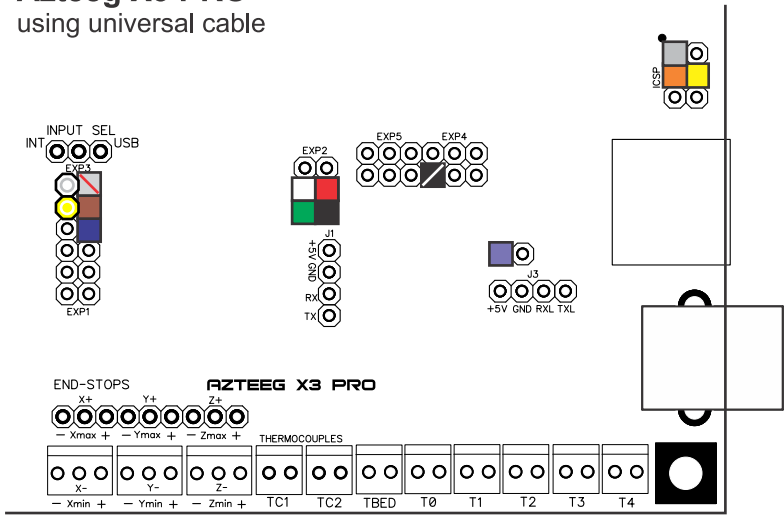
Marlin Variable	Pin#	Description
Beeper	33	Buzzer
DOGLCD_A0	31	A0
DOGLCD_CS	32	LCS
BTN_EN1	22	ENCA
BTN_EN2	7	ENCB
BTN_ENC	12	ENCBTN
SDCARDDETECT	-1 (49)	SDCD
SDSS	53	SDCS
STAT_LED_RED	64	RED-LED
STAT_LED_BLUE	63	BLUE-LED

## Azteeg X3 V1 - V1.2 using universal cable



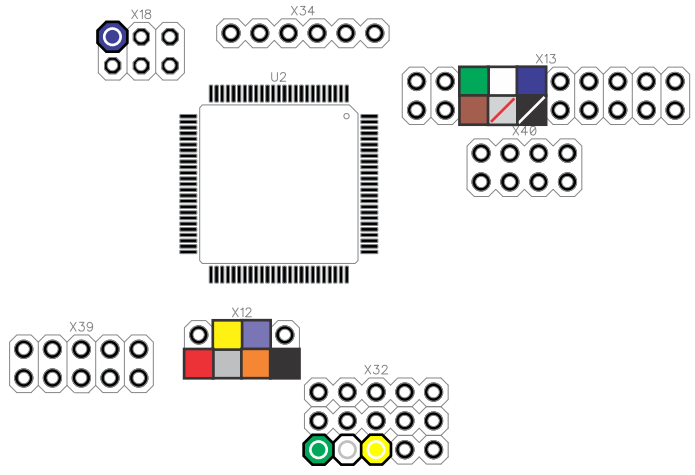
Marlin Variable	Pin#	Description
Beeper	33	Buzzer
DOGLCD_A0	31	A0
DOGLCD_CS	32	LCS
BTN_EN1	22	ENCA
BTN_EN2	7	ENCB
BTN_ENC	12	ENCBTN
SDCARDDETECT	-1 (49)	SDCD
SDSS	53	SDCS
STAT_LED_RED		RED-LED
STAT_LED_BLUE		BLUE-LED

### Azteeg X3 PRO using universal cable



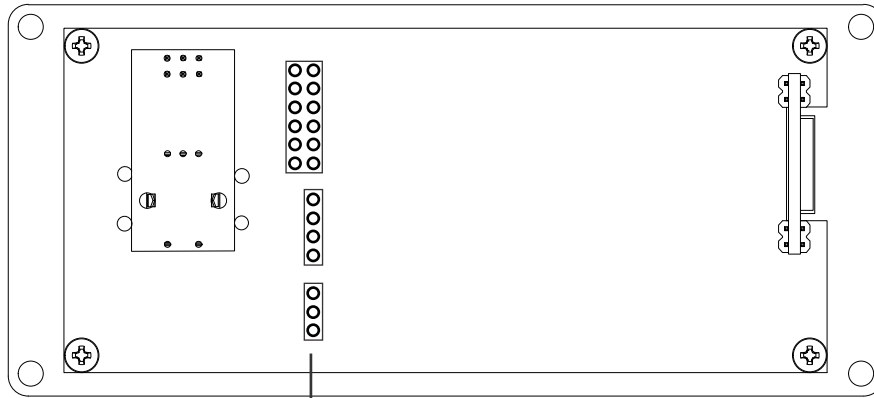
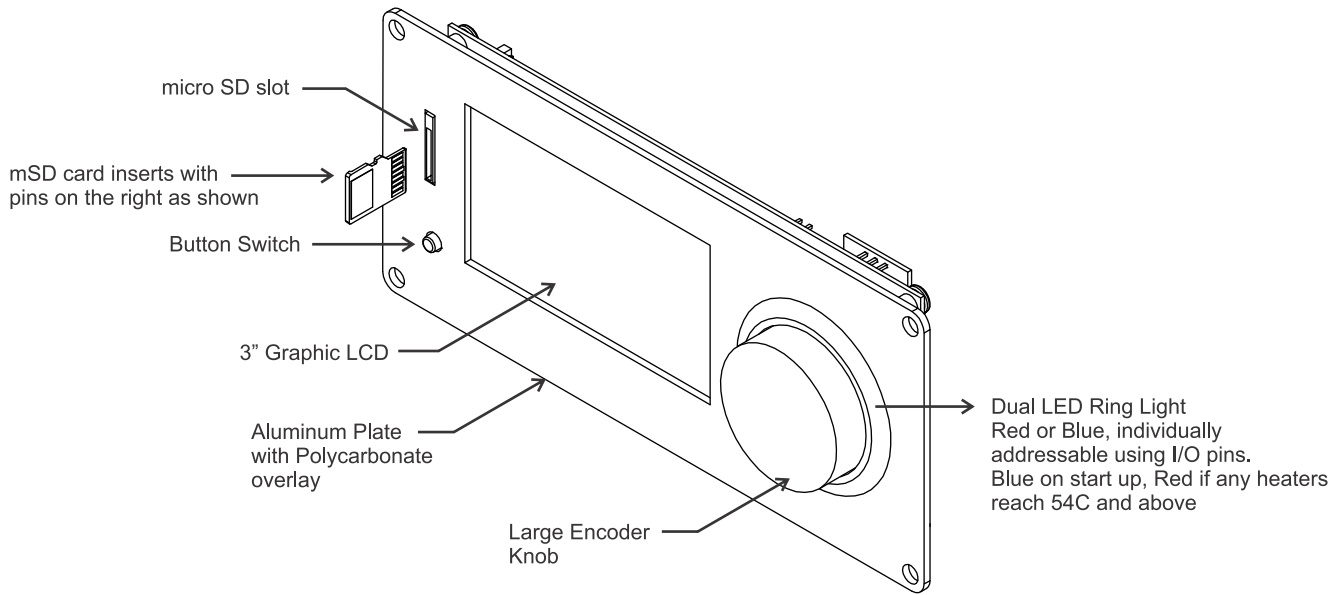
Marlin Variable	Pin#	Description
Beeper	33	Buzzer
DOGLCD_A0	44	A0
DOGLCD_CS	45	LCS
BTN_EN1	22	ENCA
BTN_EN2	7	ENCB
BTN_ENC	39	ENCBTN
SDCARDDETECT	-1 (49)	SDCD
SDSS	53	SDCS
STAT_LED_RED	32	RED-LED
STAT_LED_BLUE	35	BLUE-LED

### RAMBo rev1.3L using universal cable



Marlin Variable	Pin#	Description
Beeper	33	Buzzer
DOGL		

# VIKI 2.0 LCD WIRING DIAGRAM



## Pin Designations

SDCD		ENCB
ENCBTN		ENCA
SDCS		MISO
LCS		AO
SCK		MOSI
GND		+Vin

BTN	
BUZZER	
BLUE-LED	
RED-LED	

INPUT SELECT  
5V DEFAULT

- +Vin - + Input supply, requires 120ma for LCD and mSD card
- GND - Ground Pin
- MOSI - Data input for LCD and SD
- MISO - Data output for SD
- SCK - Clock for LCD and SD
- AO - Reg. Sel for LCD
- LCS - Chip Select for LCD
- SDCS - Chip Select for SD
- SDCD - Card Detect pin for SD
- ENCA - Encoder output A
- ENCB - Encoder output B
- ENCBTN - Encoder button switch
- BTN - Panel mounted button switch
- BUZZER - Piezo buzzer
- BLUE-LED - Blue LED ring pin ( 3 to 5v, mosfet buffered)
- RED-LED - Red LED ring pin ( 3 to 5v, mosfet buffered)

**Note on universal cable** - There are 2 black and 2 gray wires on the cable. To differentiate, one black (SDCD) is marked with a white stripe near the single dupont connector and one gray wire(LCS) is marked with a red stripe. Both are illustrated in this guide as the following color boxes. 