

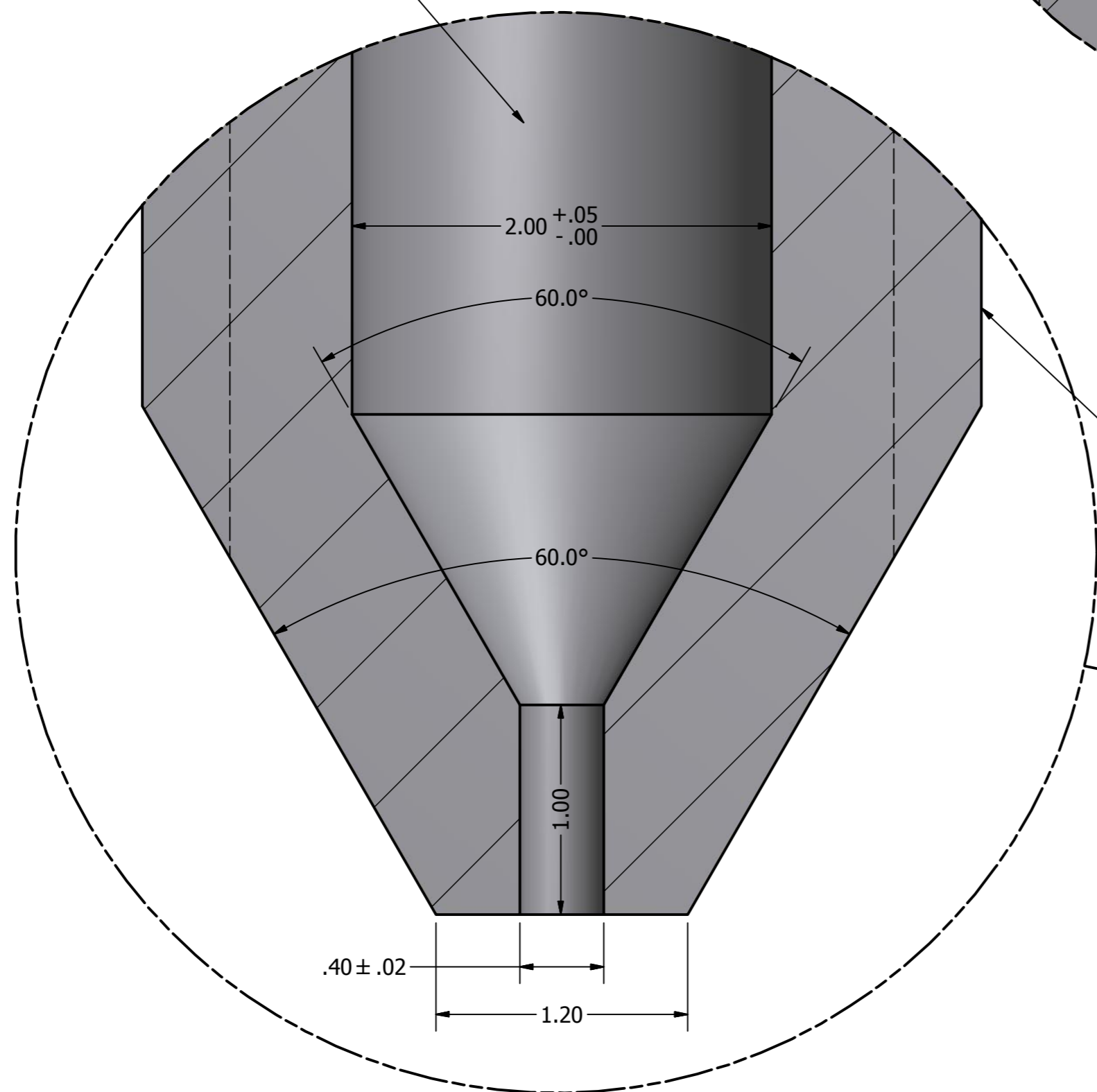
Isometric Top View



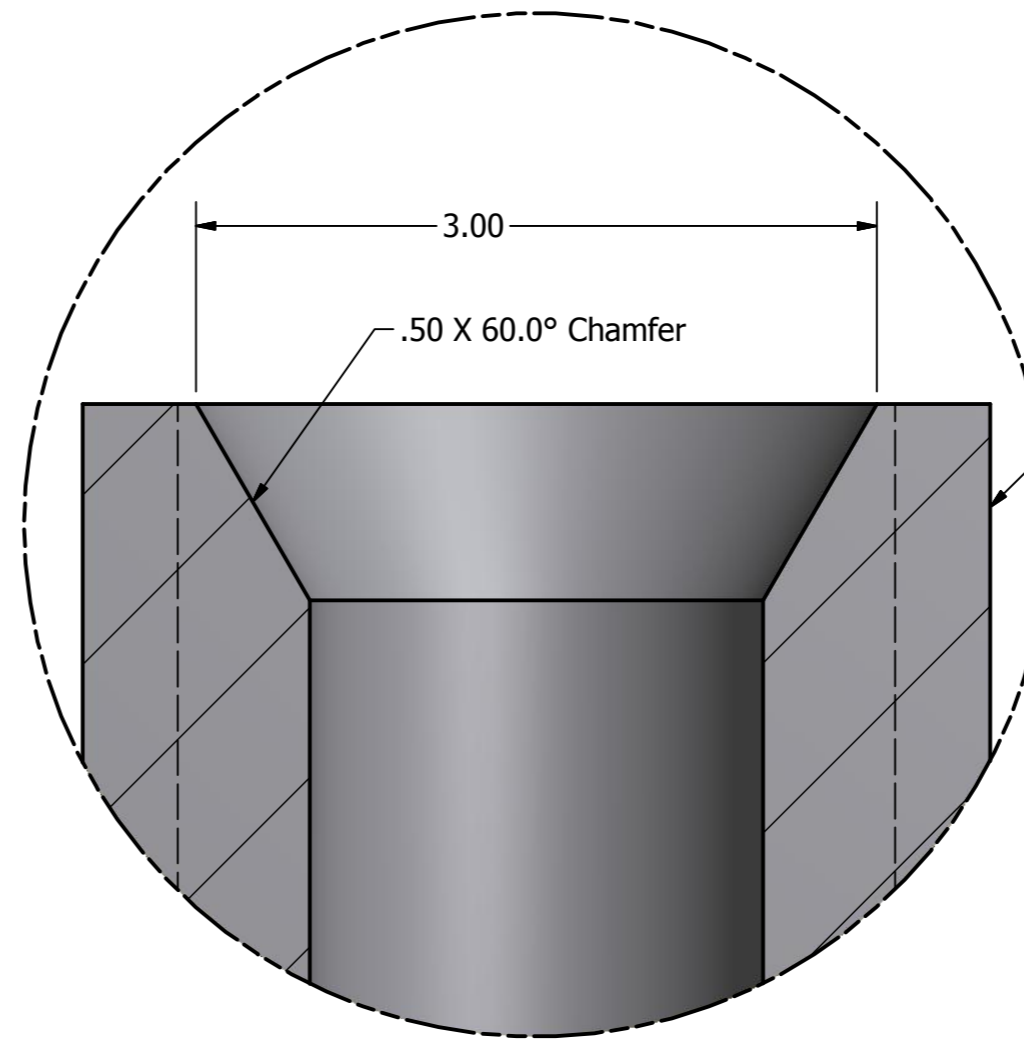
Isometric Bottom View



***Note*:** 2mm internal pathway is Electropolished.



DETAIL A
SCALE 40 : 1



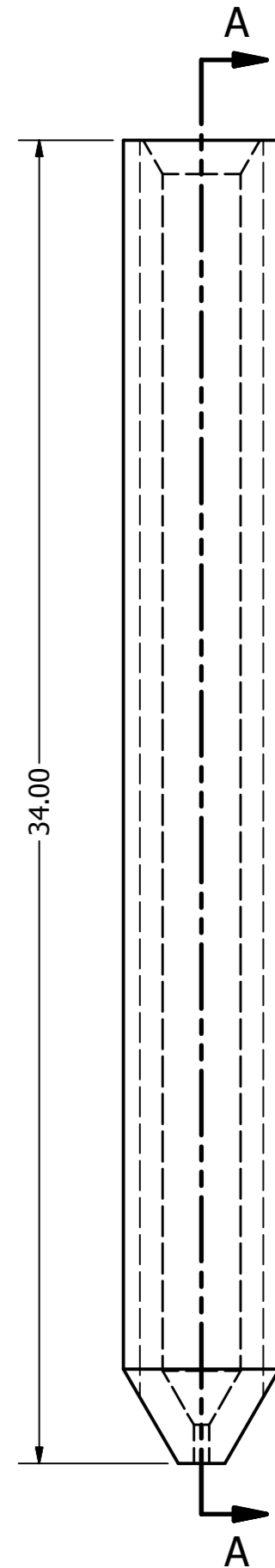
DETAIL B
SCALE 30 : 1

M4x0.7 - 6g

SECTION A-A
SCALE 6 : 1



Top View



Front View



Bottom View

***Note*:** Part can easily be machined from 4mm Stainless Steel threaded rod.

DRAWN	Eric Sammut	10/16/13	PART	Stainless Steel Nozzle V1 (2mm, 0.4mm)				LINEAR TOLERANCE	+/- 0.05	DisTech Automation			
REVISION			ASSEMBLY	Prometheus Hot End V1				ANGULAR TOLERANCE	+/- 1 deg				
MFG								CHAMFER SHARP EDGES	0.1 x 45 deg				
QA								MATERIAL	Stainless Steel				
STATUS			LICENSE	CC BY-NC-SA 3.0	SIZE	A2	UNITS	MM	SHEETS	SHEET 1 OF 1	FINISH	Polished	www.distech-automation.com