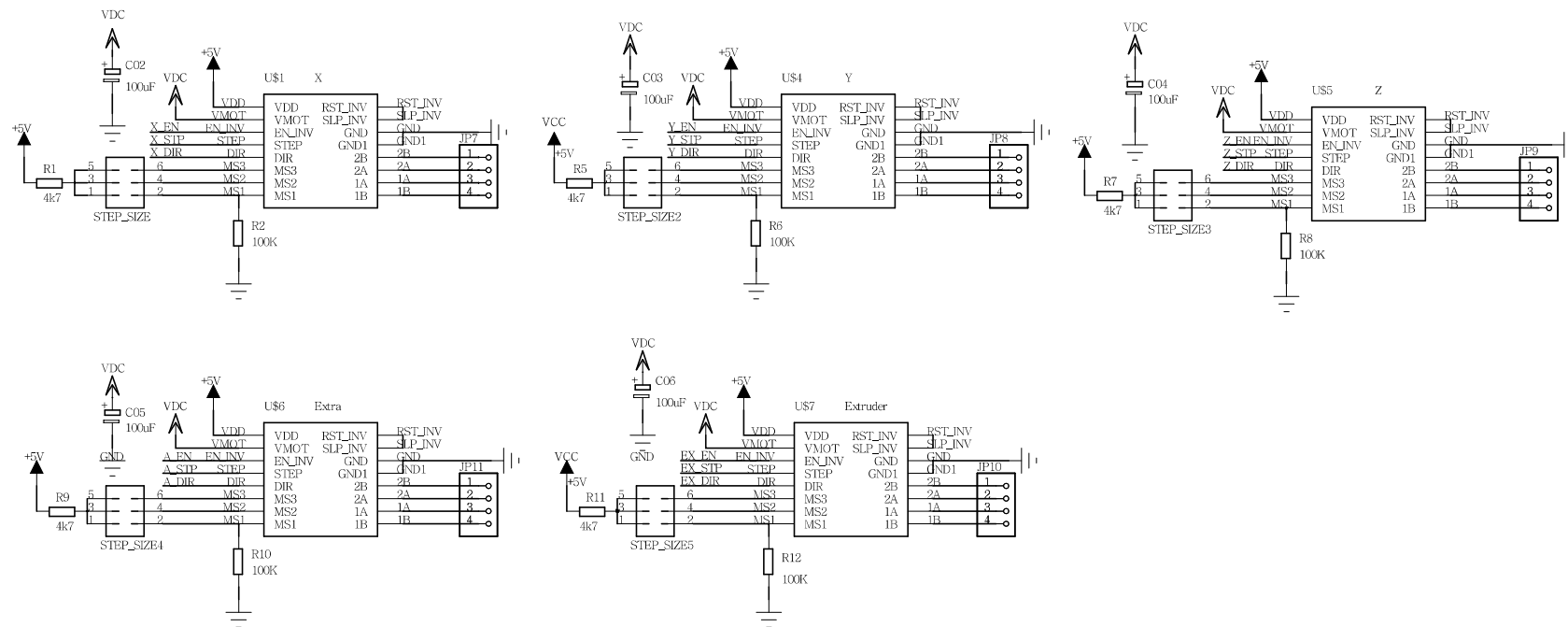


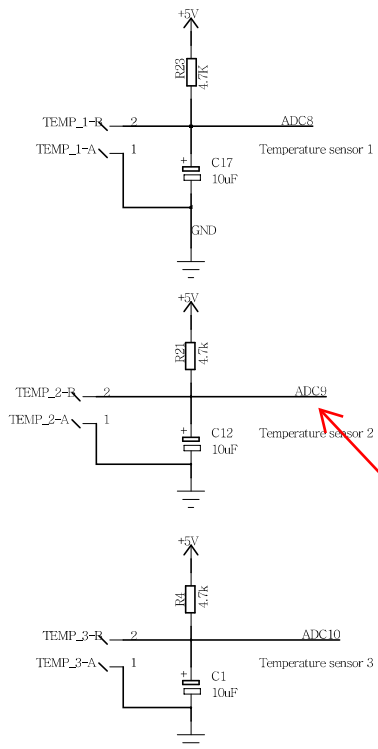
HOLE

- 5 HI MOUNT-HOLE3.0
- 6 MB MOUNT-HOLE3.0
- 5 HI MOUNT-HOLE3.0
- 6 MB MOUNT-HOLE3.0
- 5 HI MOUNT-HOLE3.0
- 6 MB MOUNT-HOLE3.0

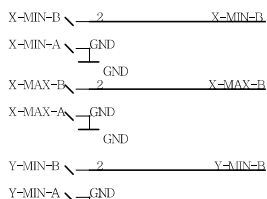
STEPPER DRIVER



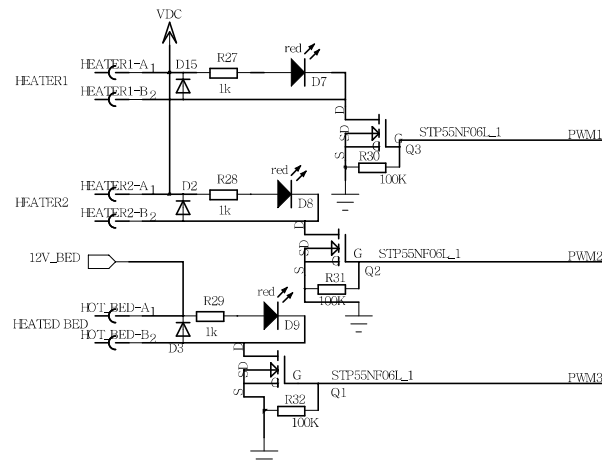
TEMPERATURE SENSOR



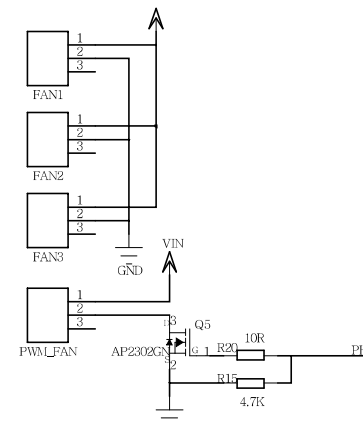
LIMIT SWITCHES



HOTBED & HOTEND CONTROL



FAN CONNECTORS



GT2560

Rev A

COMPANY: www.Geeetech.com

Drawn by John, Jan 2015

Base on Arduino mega2560 and Ultimaker

Open Hardware