

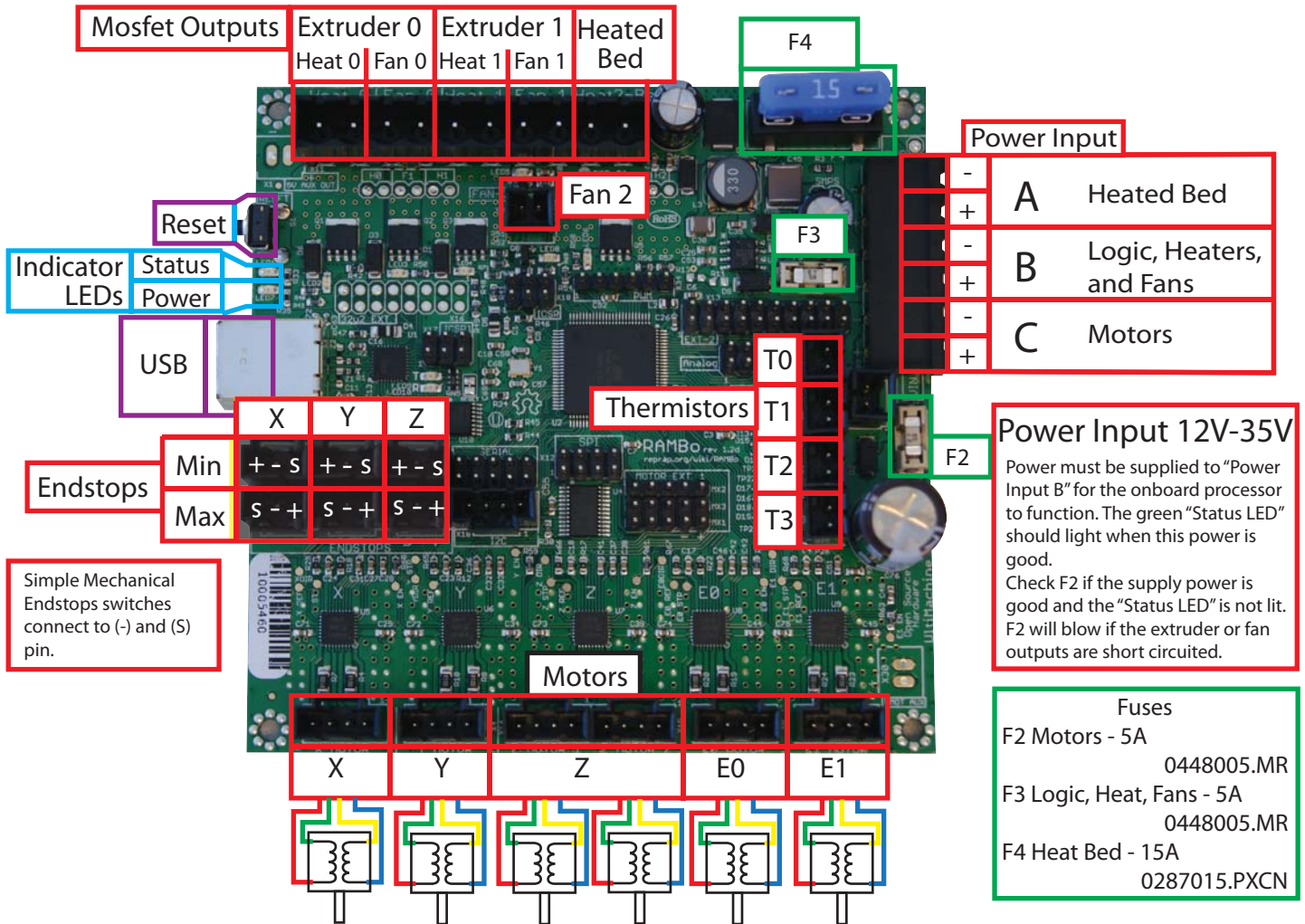
RAMBo (R)epRap (A)rduino-(M)ega-compatible (M)other (Bo)ard

reprap.org/wiki/Rambo

RepRap / 3D Printer / CNC Electronics

Version 1.2e

Main Connectors
Fuses



Handle with care. Static Sensitive device.

!!! Reversing input power can destroy electronics and cause fire hazard!!!

Test all electronics thoroughly before placing into service.

Do not leave power supplied to electronics unattended, or run machines unattended due to the risk of fire and malfunction.

This is NOT a toy and it contains small and sharp parts. Children can choke or suffocate by swallowing small objects. Keep all parts away from children and never leave printer/parts unattended.