



■ Features :

- AC input range selectable by switch
- Protections: Short circuit / Overload / Over voltage/ Over temperature
- Forced air cooling by built-in DC fan
- Withstand 300vac surge input for 5 second
- Built-in cooling Fan ON-OFF control
- Built-in constant current limiting circuit
- 100% full load burn-in test
- LED indicator for power on
- Fixed switching frequency at 90KHz
- Low cost,high reliability
- 2 years warranty

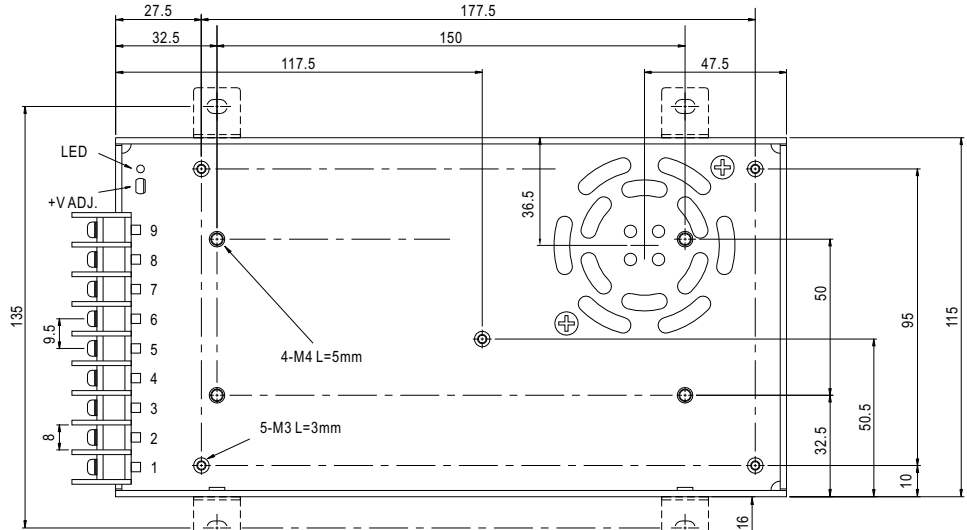


**SPECIFICATION**

| MODEL               | SE-350-3.3  | SE-350-5  | SE-350-7.5  | SE-350-12    | SE-350-15    | SE-350-24  | SE-350-27    | SE-350-36    | SE-350-48  |              |
|---------------------|---|---|-------------|--------------|--------------|------------|--------------|--------------|------------|--------------|
| OUTPUT              | DC VOLTAGE  | 3.3V  | 5V          | 7.5V         | 12V          | 15V        | 24V          | 27V          | 36V        | 48V          |
|                     | RATED CURRENT   | 60A   | 60A         | 46A          | 29A          | 23.2A      | 14.6A        | 13A          | 9.7A       | 7.3A         |
|                     | CURRENT RANGE   | 0 ~ 60A   | 0 ~ 60A     | 0 ~ 46A      | 0 ~ 29A      | 0 ~ 23.2A  | 0 ~ 14.6A    | 0 ~ 13A      | 0 ~ 9.7A   | 0 ~ 7.3A     |
|                     | RATED POWER   | 198W  | 300W        | 345W         | 348W         | 348W       | 350.4W       | 351W         | 349.2W     | 350.4W       |
|                     | RIPPLE & NOISE (max.) Note.2  | 150mVp-p  | 150mVp-p    | 150mVp-p     | 150mVp-p     | 150mVp-p   | 150mVp-p     | 200mVp-p     | 240mVp-p   | 240mVp-p     |
|                     | VOLTAGE ADJ. RANGE  | 2.97 ~ 3.7V   | 4.5 ~ 5.6V  | 6 ~ 9V       | 10 ~ 13.5V   | 13.5 ~ 18V | 20 ~ 26.4V   | 26 ~ 32V     | 32~40V     | 41 ~ 56V     |
|                     | VOLTAGE TOLERANCE Note.3  | ±4.5%   | ±2.0%       | ±2.0%        | ±1.5%        | ±1.0%      | ±1.0%        | ±1.0%        | ±1.0%      | ±1.0%        |
|                     | LINE REGULATION   | ±0.5%   | ±0.5%       | ±0.5%        | ±0.5%        | ±0.5%      | ±0.5%        | ±0.5%        | ±0.5%      | ±0.5%        |
|                     | LOAD REGULATION   | ±2.5%   | ±2.0%       | ±2.0%        | ±1.0%        | ±0.5%      | ±0.5%        | ±0.5%        | ±0.5%      | ±0.5%        |
|                     | SETUP, RISE TIME  | 1000ms, 50ms/230VAC    1000ms,50ms/115VAC at full load  |             |              |              |            |              |              |            |              |
| HOLD UP TIME (Typ.) | 20ms/230VAC    16ms/115VAC at full load   |   |             |              |              |            |              |              |            |              |
| INPUT               | VOLTAGE RANGE   | 90 ~ 132VAC / 180 ~ 264VAC by switch    254 ~ 370VDC  |             |              |              |            |              |              |            |              |
|                     | FREQUENCY RANGE   | 47 ~ 63Hz   |             |              |              |            |              |              |            |              |
|                     | EFFICIENCY (Typ.)   | 74%   | 78%         | 80%          | 83%          | 84%        | 87%          | 88%          | 87.5%      | 87.5%        |
|                     | AC CURRENT (Typ.)   | 7A/115VAC   |             | 4A/230VAC    |              |            |              |              |            |              |
|                     | INRUSH CURRENT (Typ.)   | 40A/115VAC  |             | 60A/230VAC   |              |            |              |              |            |              |
|                     | LEAKAGE CURRENT   | <3.5mA / 240VAC   |             |              |              |            |              |              |            |              |
| PROTECTION          | OVER LOAD   | 105 ~ 135% rated output power<br>Protection type : Constant current limiting, recovers automatically after fault condition is removed                                       |             |              |              |            |              |              |            |              |
|                     | OVER VOLTAGE  | 3.8 ~ 4.6V  | 5.75 ~ 7.5V | 9.4 ~ 11.25V | 13.8 ~ 16.2V | 18 ~ 21V   | 27.6 ~ 32.4V | 33.7 ~ 39.2V | 41.4~46.8V | 57.6 ~ 67.2V |
|                     | OVER TEMPERATURE  | 85°C±5°C (3.3~7.5V); 80°C±5°C (12V); 75°C±5°C (15~48V) (TSW1) Detect on case<br>Protection type : Shut down O/P voltage, recovers automatically after temperature goes down |             |              |              |            |              |              |            |              |
| FUNCTION            | FAN ON/OFF CONTROL(Typ.)  | RTH2≥50°C FAN ON, ≤45°C FAN OFF (3.3 ~ 7.5V)<br>RTH2≥55°C FAN ON, ≤50°C FAN OFF (12 ~ 48V)  |             |              |              |            |              |              |            |              |
|                     |   |   |             |              |              |            |              |              |            |              |
| ENVIRONMENT         | WORKING TEMP.   | -20 ~ +60°C (Refer to output load derating curve)   |             |              |              |            |              |              |            |              |
|                     | WORKING HUMIDITY  | 20 ~ 90% RH non-condensing  |             |              |              |            |              |              |            |              |
|                     | STORAGE TEMP., HUMIDITY   | -20 ~ +85°C, 10 ~ 95% RH  |             |              |              |            |              |              |            |              |
|                     | TEMP. COEFFICIENT   | ±0.03%/°C (0 ~ 50°C)  |             |              |              |            |              |              |            |              |
|                     | VIBRATION   | 10 ~ 500Hz, 5G 10min./1cycle, 60min. each along X, Y, Z axes  |             |              |              |            |              |              |            |              |
| SAFETY & EMC        | SAFETY STANDARDS  | UL60950-1 approved  |             |              |              |            |              |              |            |              |
|                     | WITHSTAND VOLTAGE   | I/P-O/P:3KVAC    I/P-FG:1.5KVAC    O/P-FG:0.5KVAC   |             |              |              |            |              |              |            |              |
|                     | ISOLATION RESISTANCE  | I/P-O/P, I/P-FG, O/P-FG:100M Ohms/500VDC / 25°C / 70% RH  |             |              |              |            |              |              |            |              |
|                     | EMI CONDUCTION & RADIATION  | Design refer to EN55022 (CISPR22) Class A   |             |              |              |            |              |              |            |              |
|                     | EMS IMMUNITY  | Design refer to EN61000-4-2, 3, 4, 5, 6, 8, 11, ENV50204, EN55024, light industry level, criteria A   |             |              |              |            |              |              |            |              |
| OTHERS              | MTBF  | 234.3K hrs min.    MIL-HDBK-217F (25°C)   |             |              |              |            |              |              |            |              |
|                     | DIMENSION   | 215*115*50mm (L*W*H)  |             |              |              |            |              |              |            |              |
|                     | PACKING   | 1.07Kg; 12pcs/13.5Kg/0.92CUFT   |             |              |              |            |              |              |            |              |
| NOTE                | 1. All parameters NOT specially mentioned are measured at 230VAC input, rated load and 25°C of ambient temperature.<br>2. Ripple & noise are measured at 20MHz of bandwidth by using a 12" twisted pair-wire terminated with a 0.1uf & 47uf parallel capacitor.<br>3. Tolerance : includes set up tolerance, line regulation and load regulation. |   |             |              |              |            |              |              |            |              |

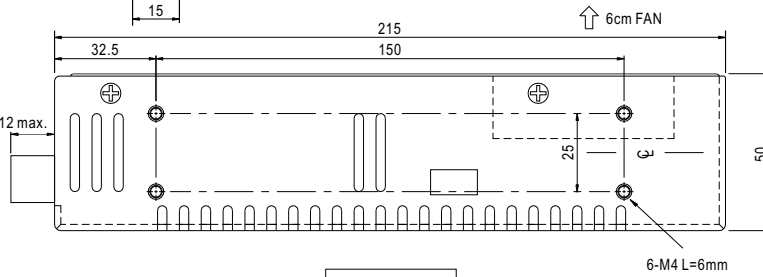
■ Mechanical Specification

Case No. 912C Unit:mm

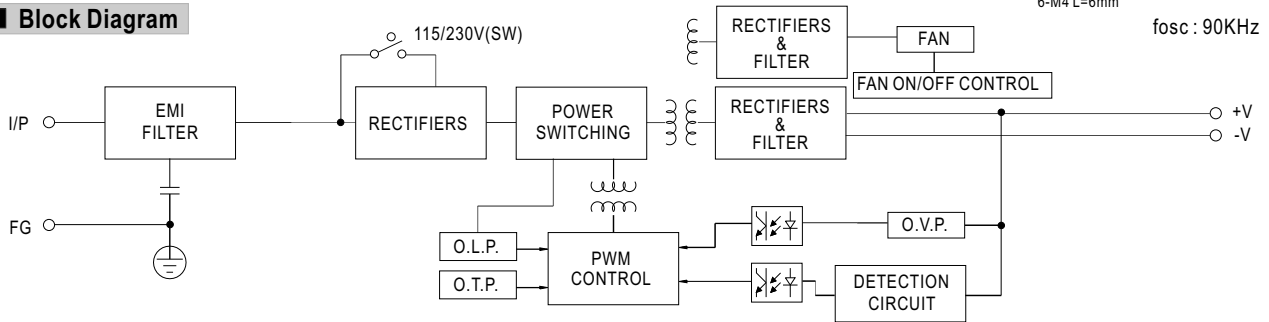


Terminal Pin No. assignment :

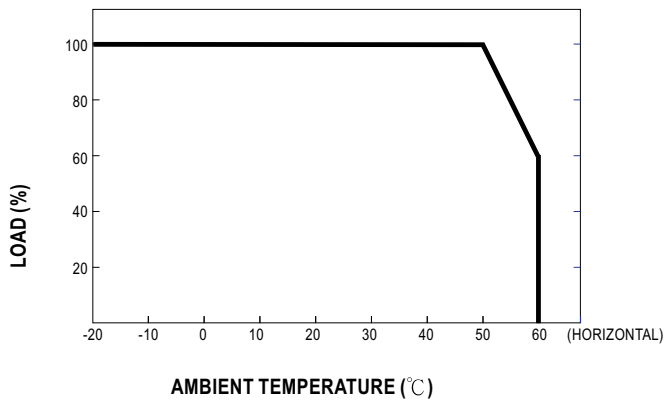
| Pin No. | Assignment | Pin No. | Assignment   |
|---------|------------|---------|--------------|
| 1       | AC/L       | 4~6     | DC OUTPUT -V |
| 2       | AC/N       | 7~9     | DC OUTPUT +V |
| 3       | FG $\perp$ |         |              |



■ Block Diagram



■ Derating Curve



■ Static Characteristics

