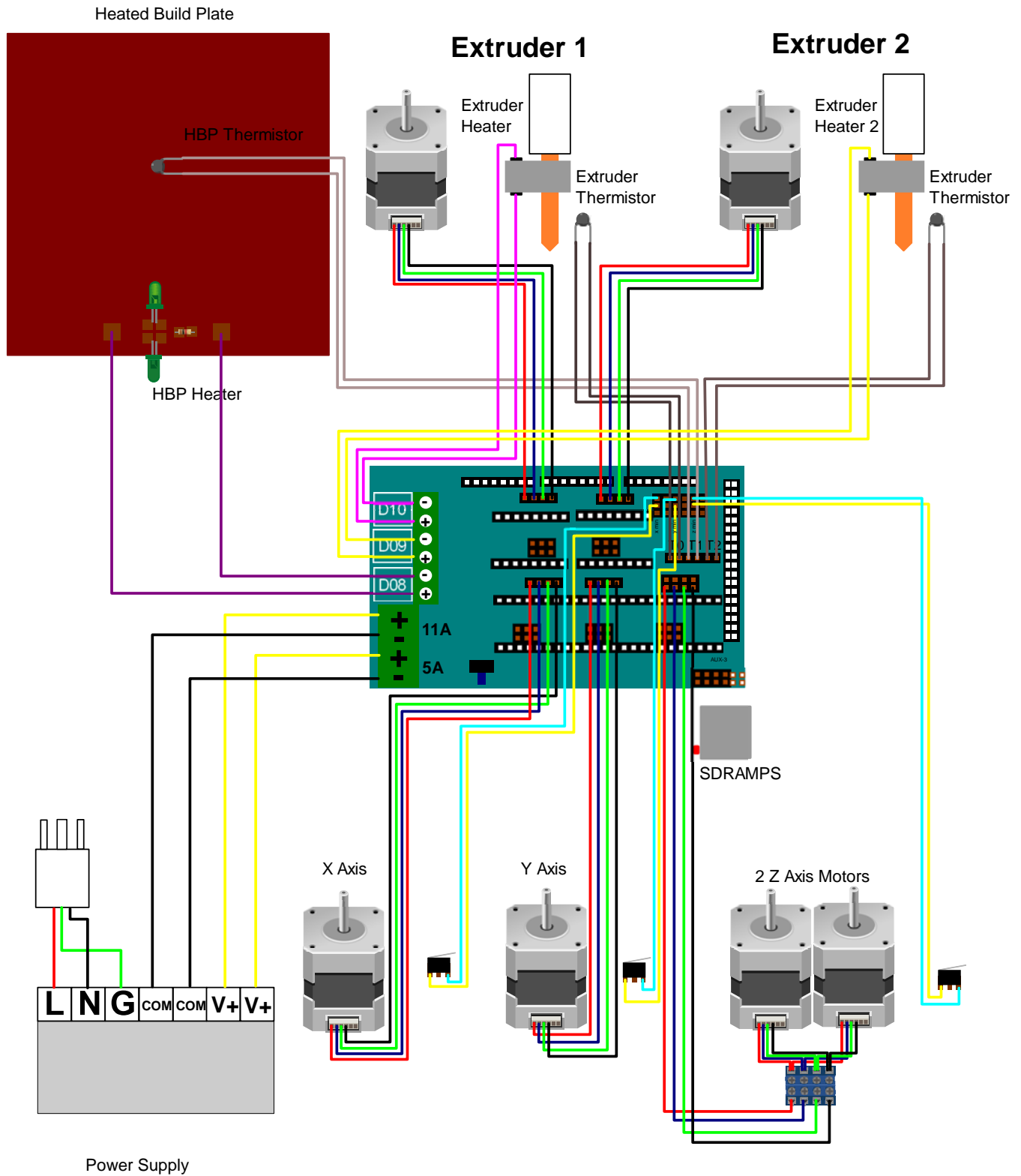


RepRap Arduino Mega Pololu Shield 1.4



Created by Neil Underwood 5/28/2011