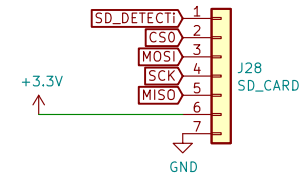
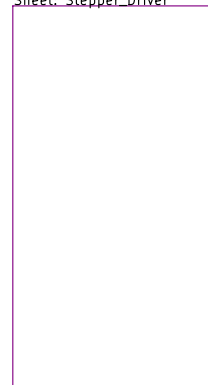


- H1 MountingHole
- H2 MountingHole
- H3 MountingHole
- H4 MountingHole

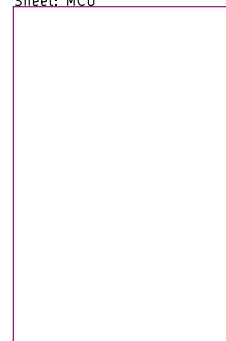


Sheet: Stepper_Driver



File: second_p.sch

Sheet: MCU



File: MCU.sch

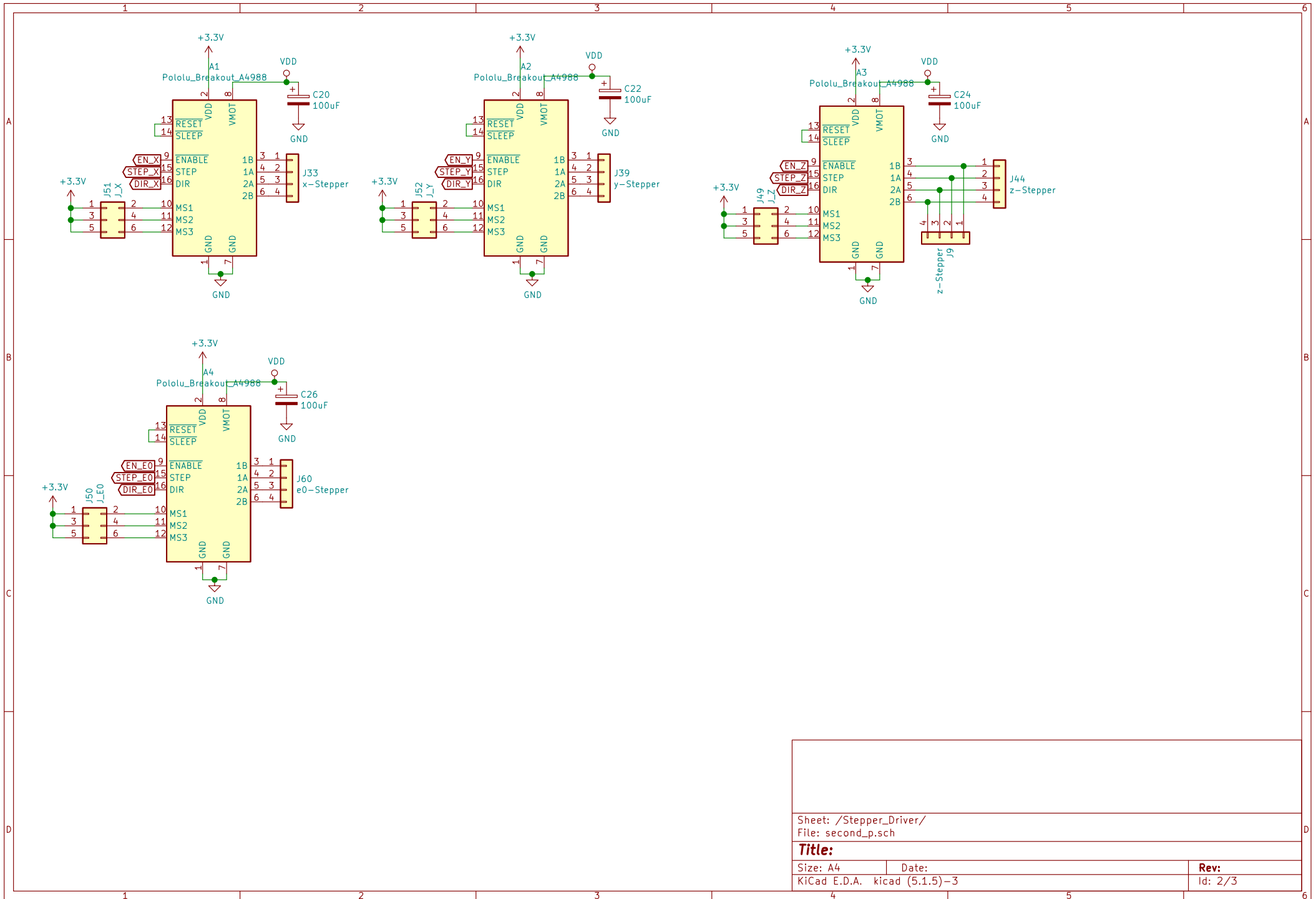
Sheet: /
File: controller.sch

Title:

Size: A4
KiCad E.D.A. kicad (5.1.5)-3

Date:

Rev:
Id: 1/3



Sheet: /Stepper_Driver/
 File: second_p.sch

Title:

Size: A4
 KiCad E.D.A. kicad (5.1.5)-3

Date:

Rev:
 Id: 2/3

