

1

2

3

4

5

6

A

A

Sheet: Microcontroller

Sheet: Power Supplies

Sheet: Stepper Drivers

Sheet: Mosfets

Sheet: Comms

Sheet: Connectors



File: microcontroller.sch

File: power.sch

File: steppers.sch

File: mosfets.sch

File: comms.sch

File: connectors.sch

B

B

C

C

D

D

1

2

3

4

5

6

Sheet: /
File: sam4s_MINI.sch

Title:

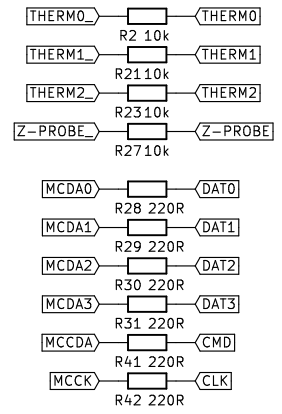
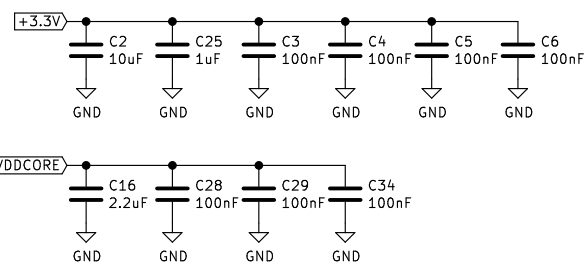
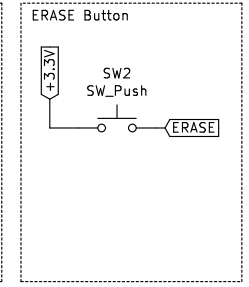
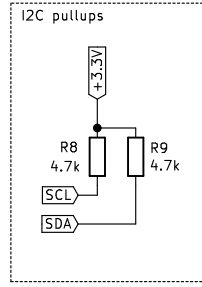
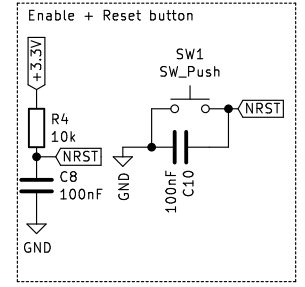
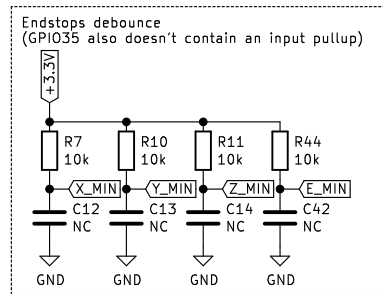
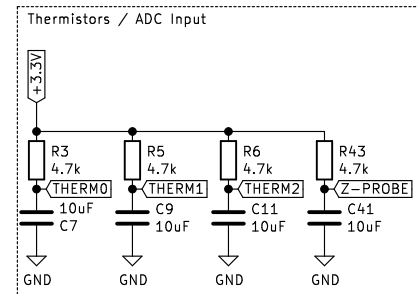
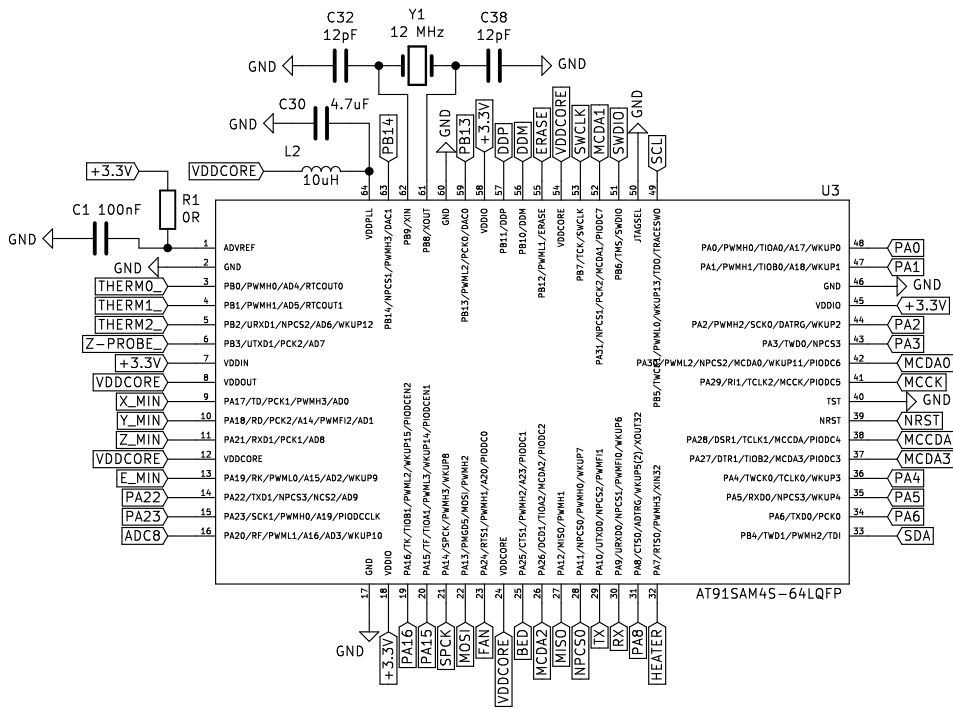
Size: A4

Date:

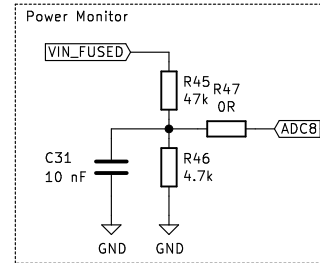
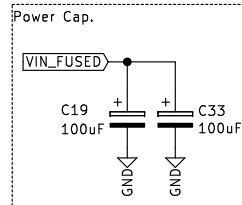
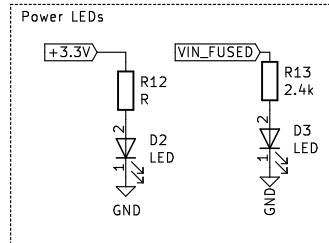
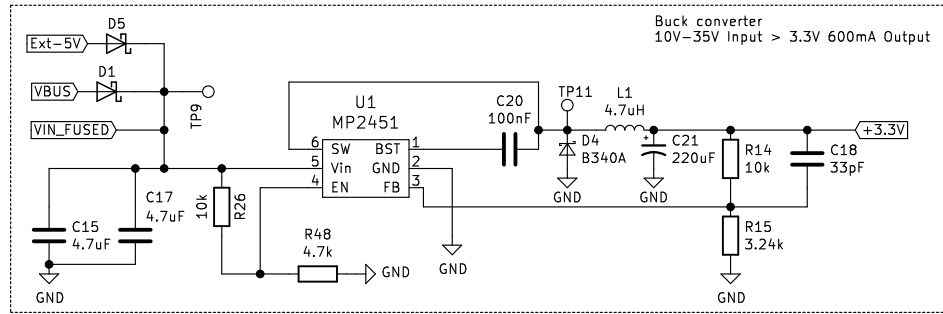
KiCad E.D.A. eeschema (5.1.5)-2

Rev:

Id: 1/7



Sheet: /Microcontroller/		File: microcontroller.sch	
Title:			
Size: A4	Date:	Rev:	
KiCad E.D.A. eeschema (5.1.5)-2		Id: 2/7	



Sheet: /Power Supplies/
File: power.sch

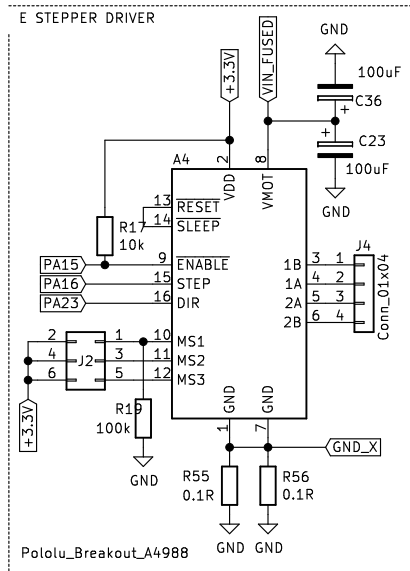
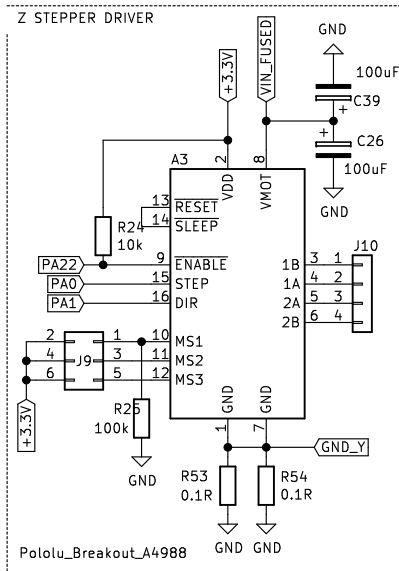
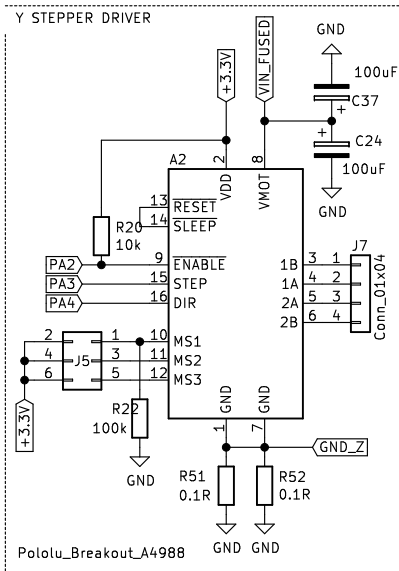
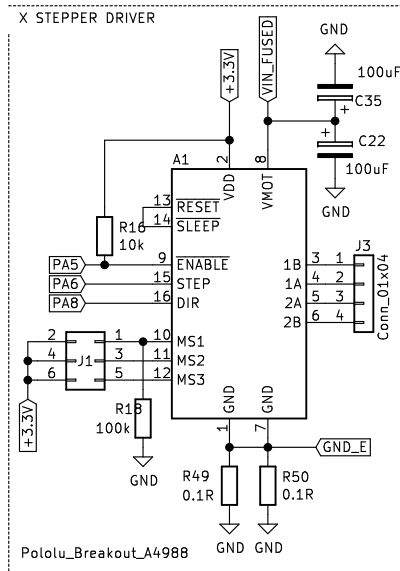
Title:

Size: A4 Date:

KiCad E.D.A. eeschema (5.1.5)-2

Rev:

Id: 3/7



Sheet: /Stepper Drivers/
File: steppers.sch

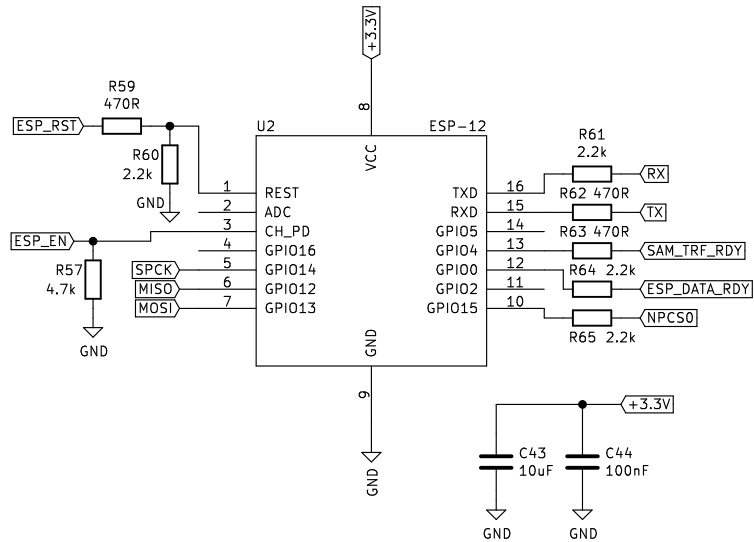
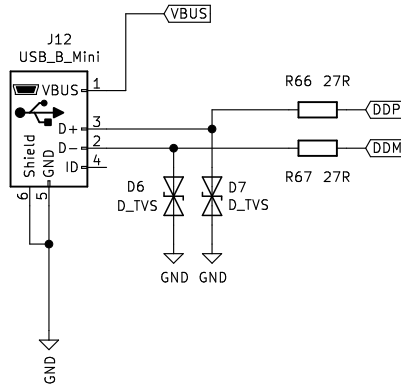
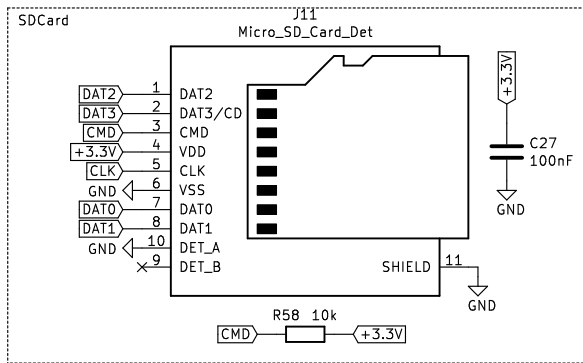
Title:

Size: A4 Date:

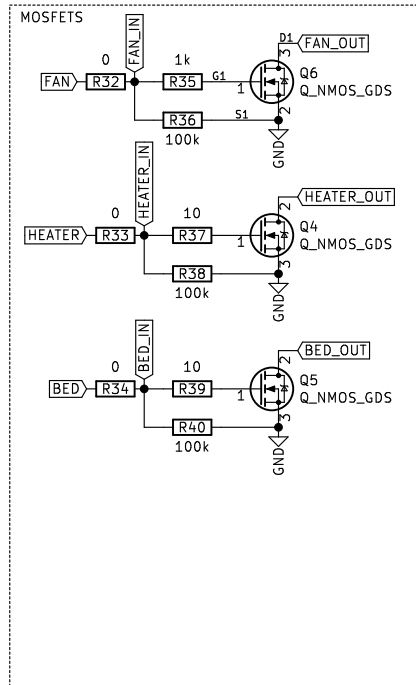
KiCad E.D.A. eschema (5.1.5)-2

Rev:

Id: 4/7



Sheet: /Comms/	
File: comms.sch	
Title:	
Size: A4	Date:
KiCad E.D.A. eeschema (5.1.5)-2	Rev: 5/7



Sheet: /Mosfets/
File: mosfets.sch

Title:

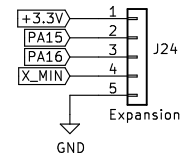
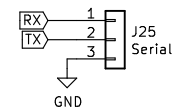
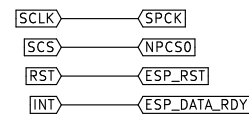
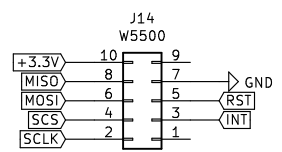
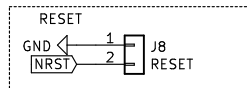
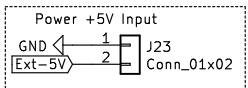
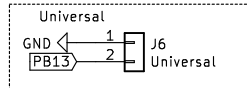
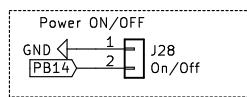
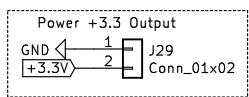
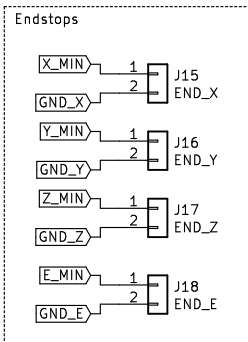
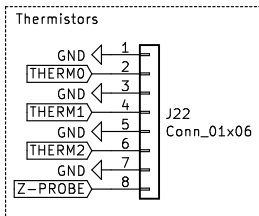
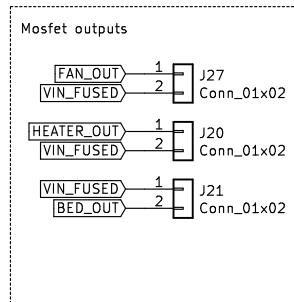
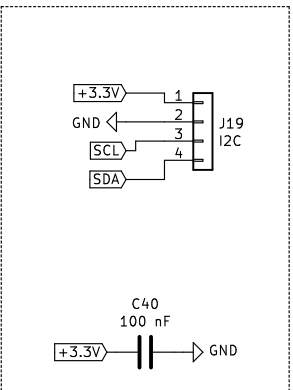
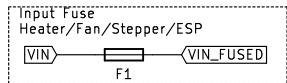
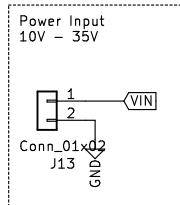
Size: A4

Date:

KiCad E.D.A. eeschema (5.1.5)-2

Rev:

Id: 6/7



Sheet: /Connectors/		File: connectors.sch	
Title:			
Size: A4	Date:	Rev:	
KiCad E.D.A. eeschema (5.1.5)-2			Id: 7/7