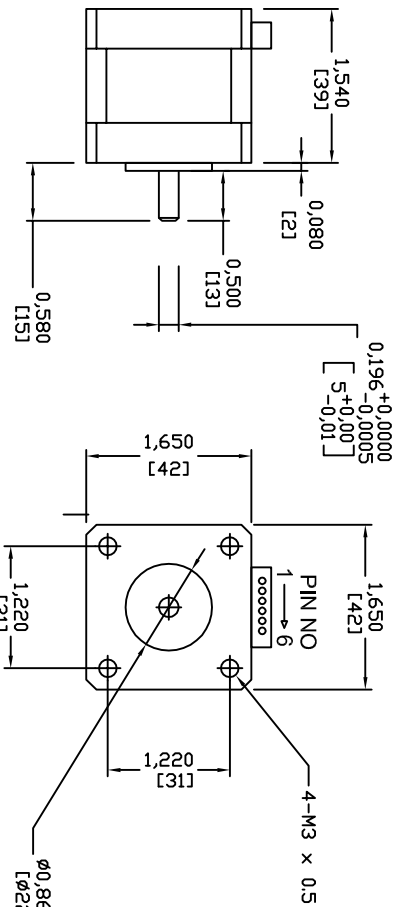




SPECIFICATIONS		(b)-unipolar connection (b)-bipolar series connection
Step Angle	deg	1.8
Voltage	V DC	6.4 (u), 9.0(b)
Current / phase	A / phase	1.2 (u), 0.85 (b)
Resistance / phase	ohm / phase	5.3 (u), 10.6 (b)
Inductance / phase	mH / phase	4.3 (u), 17.2 (b)
Holding Torque	oz-in	42 (u), 59 (b)
	N-cm	30 (u), 42 (b)
Detent Torque	oz-in	N/A
	N-cm	N/A
Rotor Inertia	oz-in <sup>2</sup>	0.31
	g-cm <sup>2</sup>	5.6
Weight	Ibs	0.64
	kg	0.29

### SIMPLIFIED DRAWING

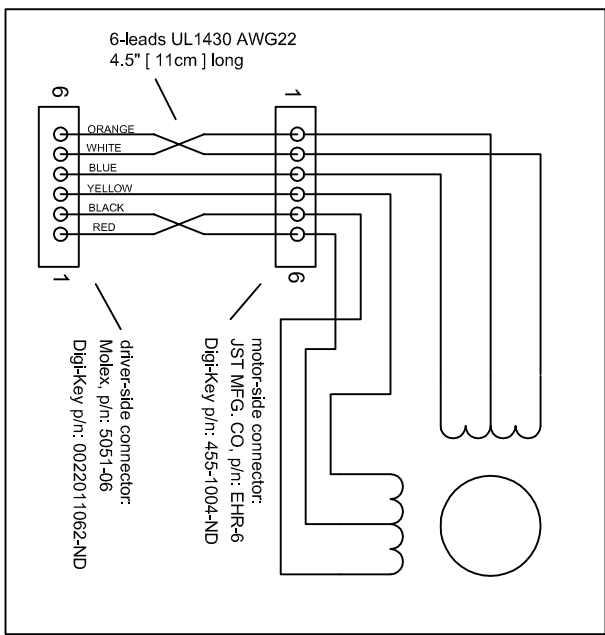
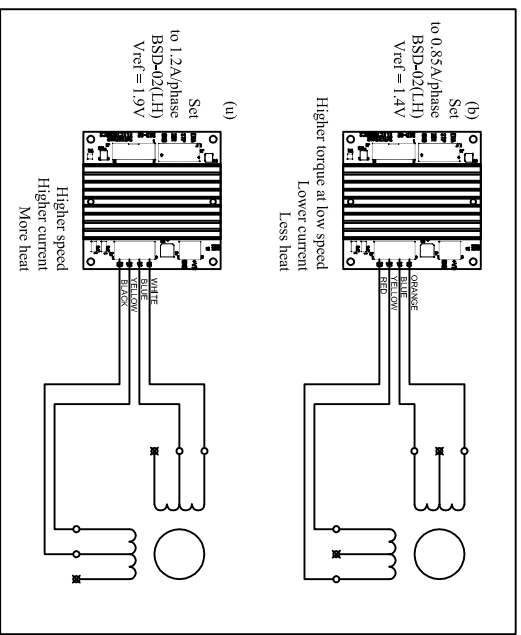


### DIMENSIONS UNIT = INCH [mm]

**RECOMMENDED DRIVER:** BSD-01P, BSD-13G, BSD-02, BSD-02LH  
**SETUP for BSD-02(LH):** Vref=1.4V (0.85A/phase) for (b) or 1.9V (1.2A/phase) for (u)  
**RECOMMENDED POWER SUPPLY:** 24Vdc, min 1.7A for (b) or 24Vdc, min 2.4A for (u)  
**Note:** to avoid mistakes follow wire colors and not connector pin numbers. Connector on driver side may be easily modified or removed.

We have used our best effort in preparing this document. We make no representations or warranties with respect to the accuracy or completeness of the contents of this document and specifically disclaim any implied warranties of fitness for a particular purpose. We shall not be liable for any loss of profit or any other commercial damages.

REV	REV NDT	DATE
1		



Manufactured by: Sanyo Denki Co., Ltd.  
 The names of companies or their products specified in this data sheet are the trade names and/or trademarks of such respective companies.

**interlinar ELECTRONICS**  
<http://www.interlinar.com>  
[support@interlinar.com](mailto:support@interlinar.com)

**TITLE** 2-PHASE STEP MOTOR  
**DWG#** 103H5208-10U41

**SCALE** M.W. not to scale  
**FILE NAME** 103H5208-10U41.dwg

**SHEET** 1  
**DF** 1

**DATE** 01-23-2011