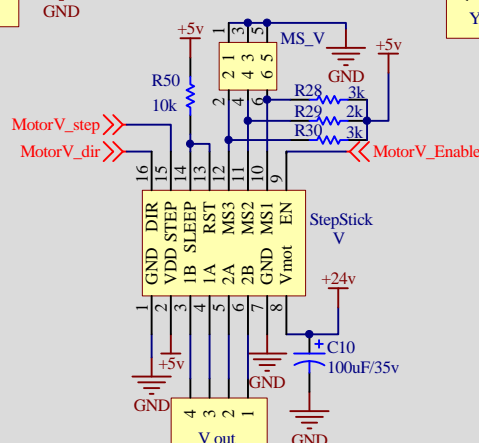
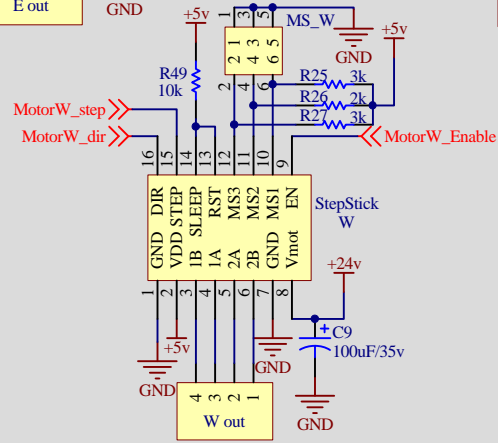
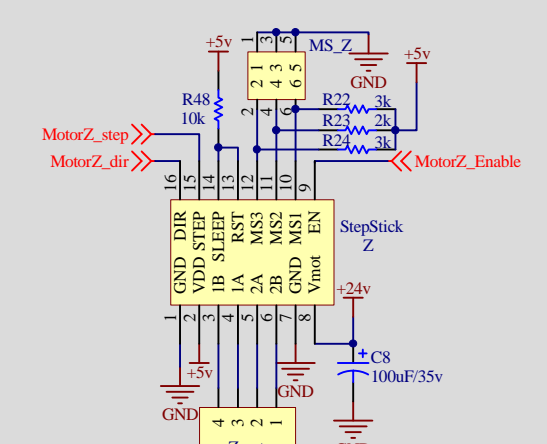
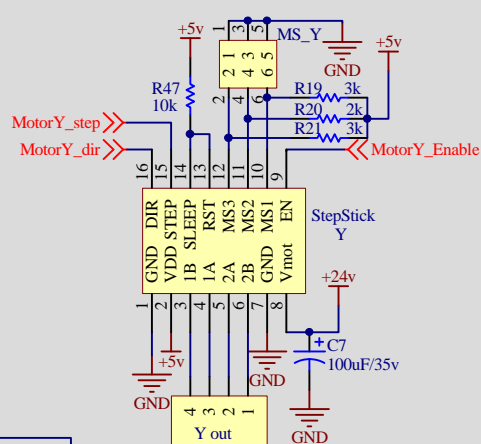
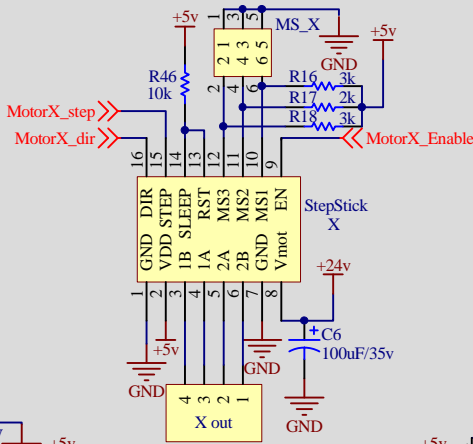
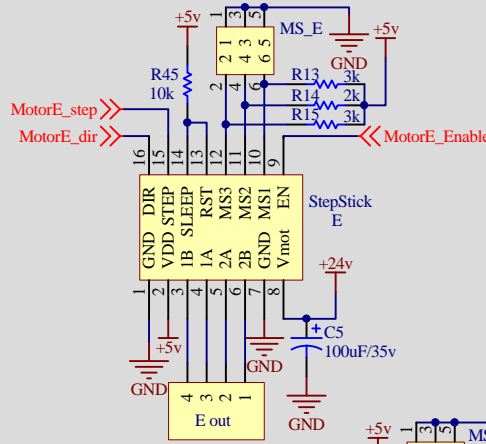
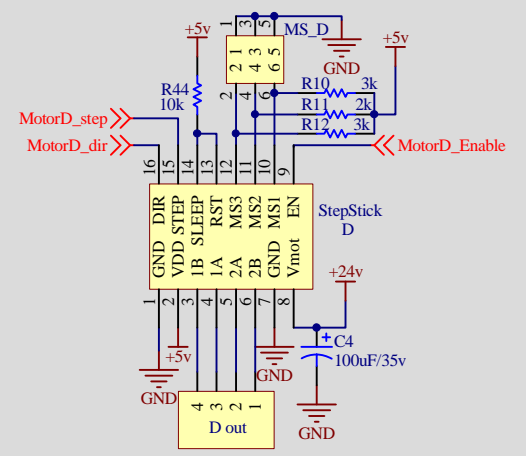
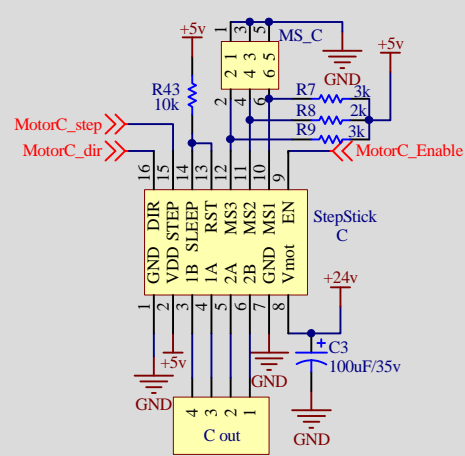
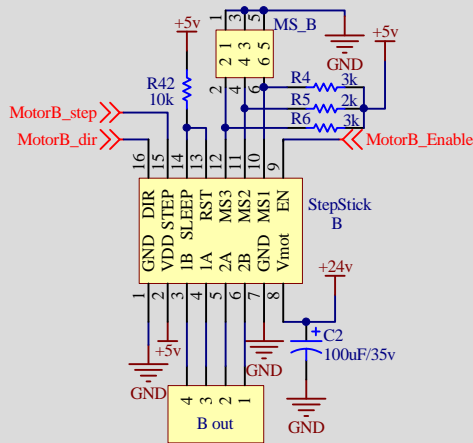
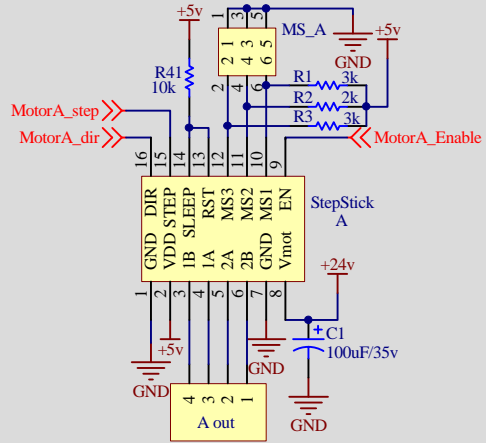
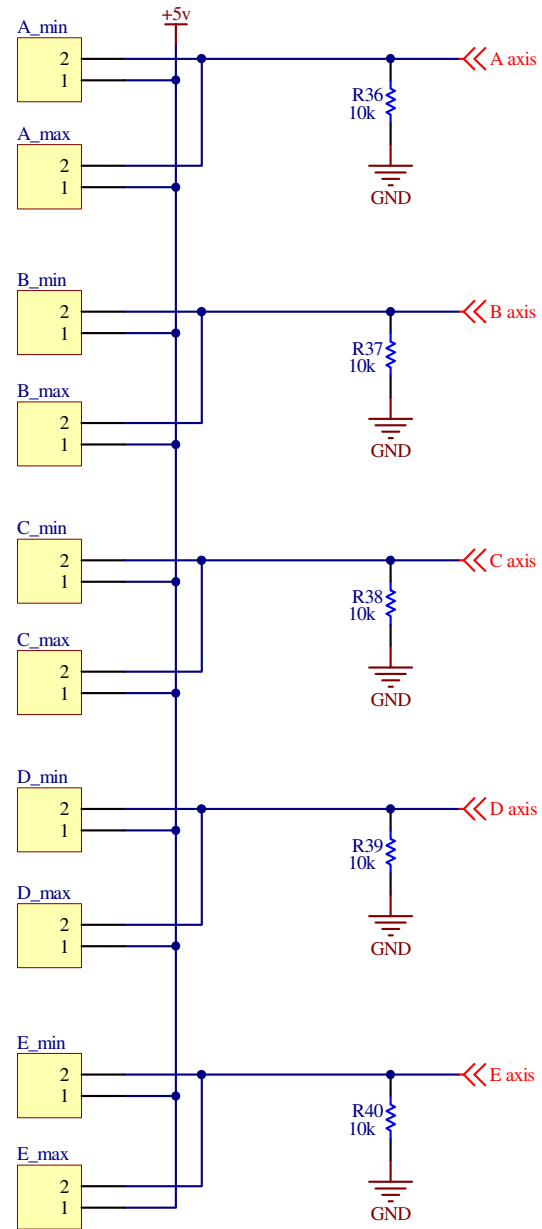
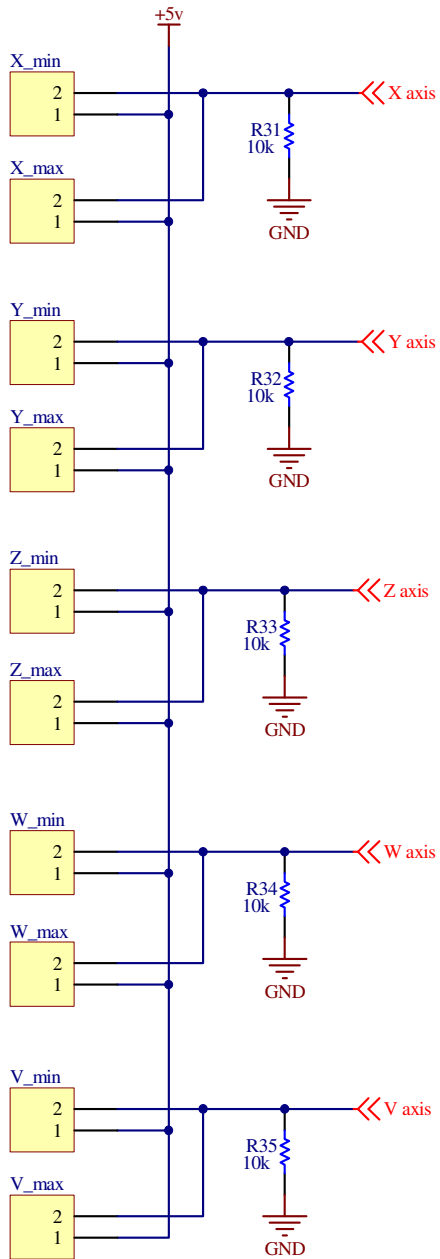


Altium Design		
Size	A4	
Date:	8/25/2013	
File:	C:\Users\...\Stepmotor Arduino part SCH.Sch	
Ammiran		

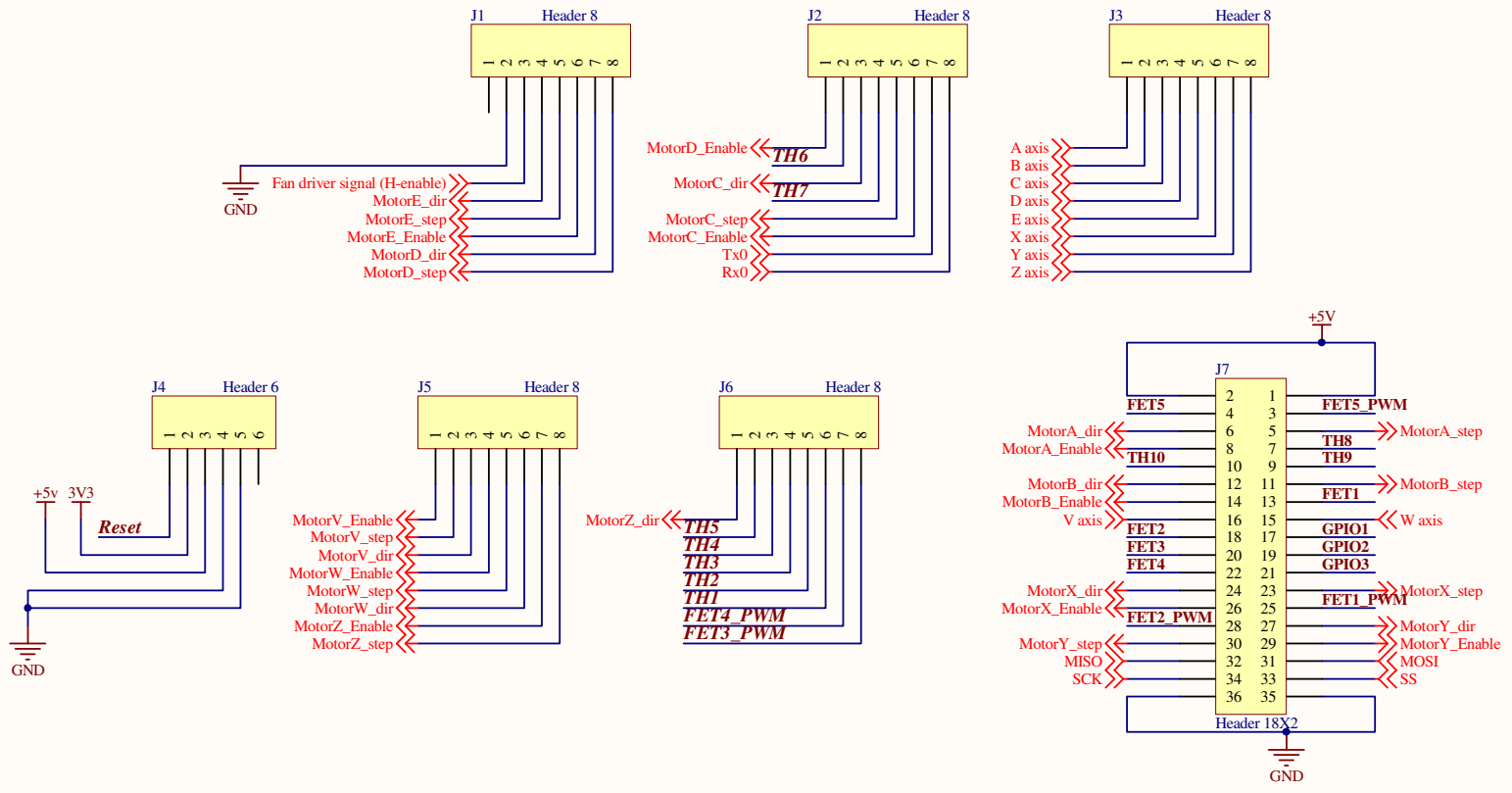
main (Arduino2560 based stepstick control device)



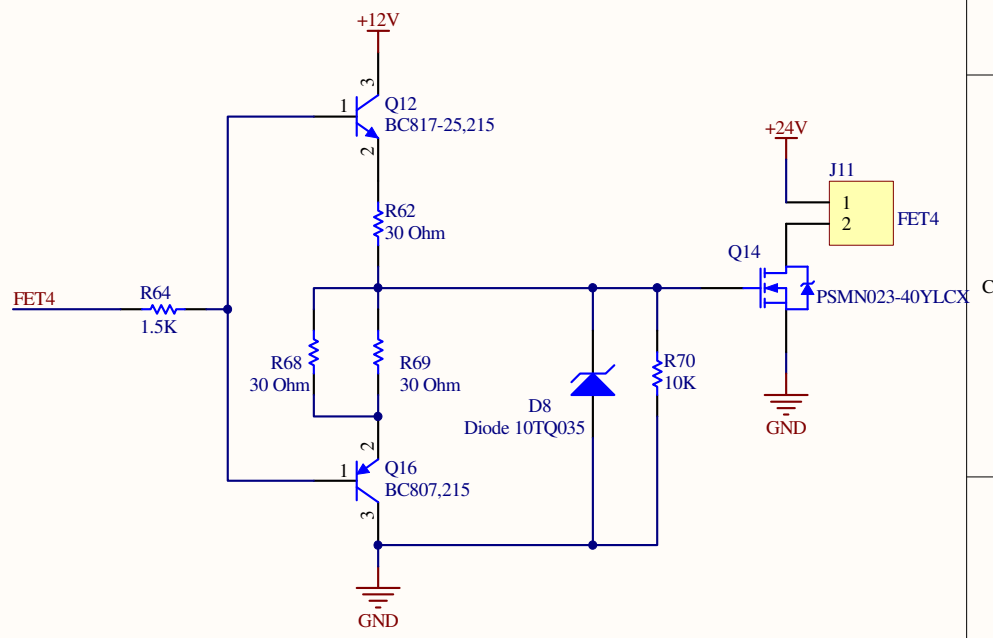
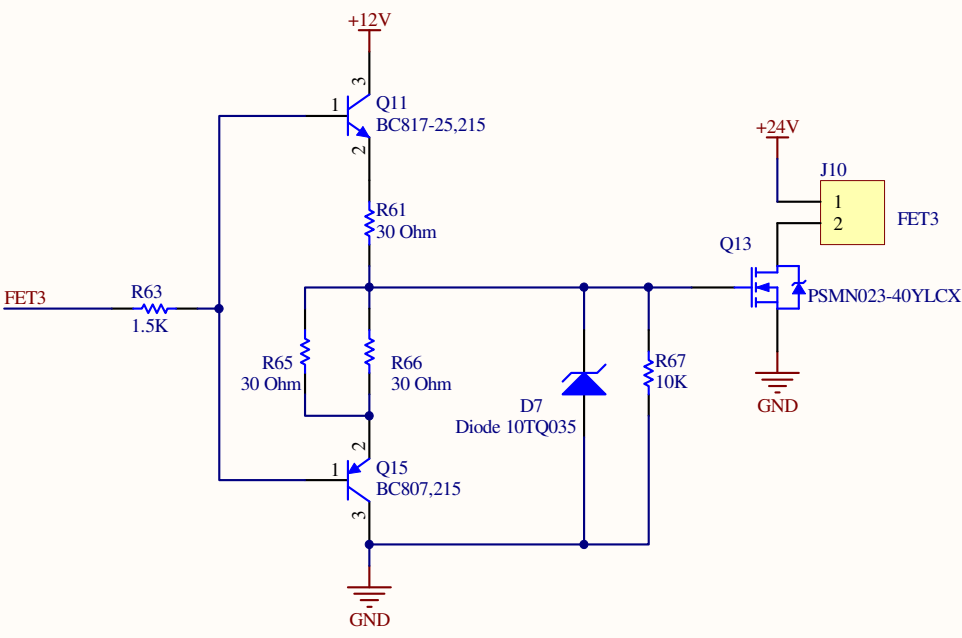
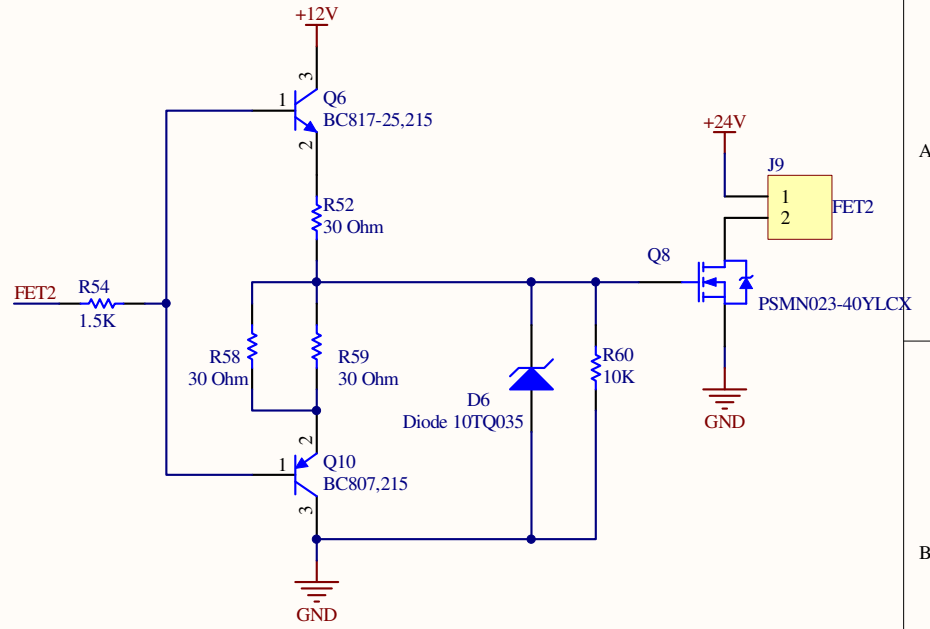
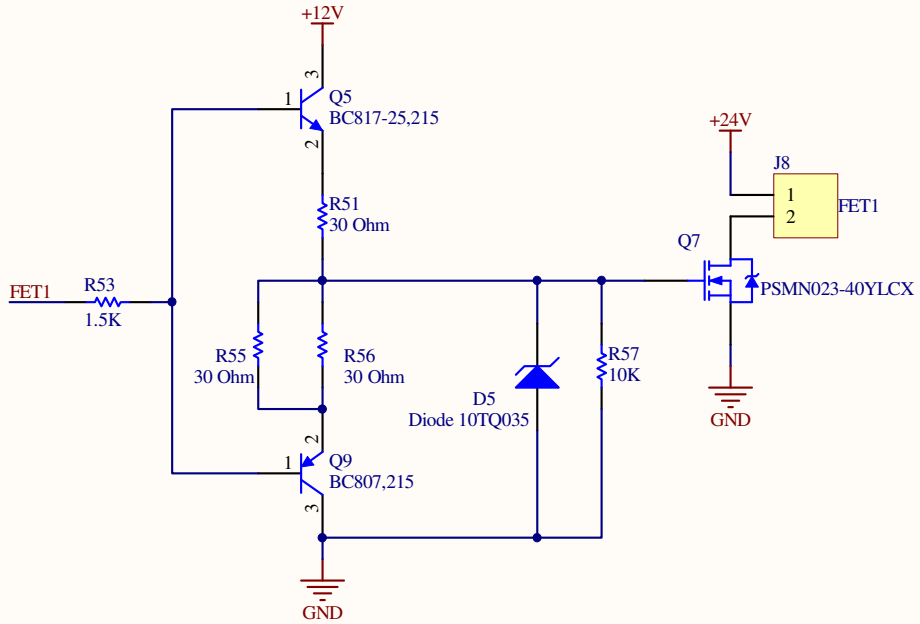
Altium Design	
Size	A4
Stepstick (Arduino2560 based stepstick control device)	
Date:	7/15/2013
File:	C:\Users\...\Stepmotor StepStick part SCH.S
Ammiran	



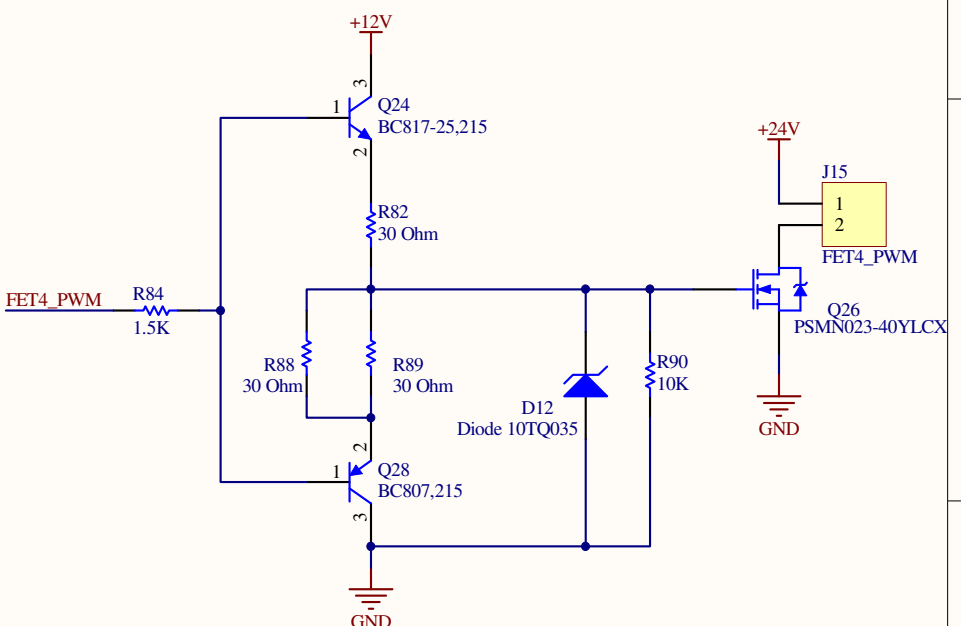
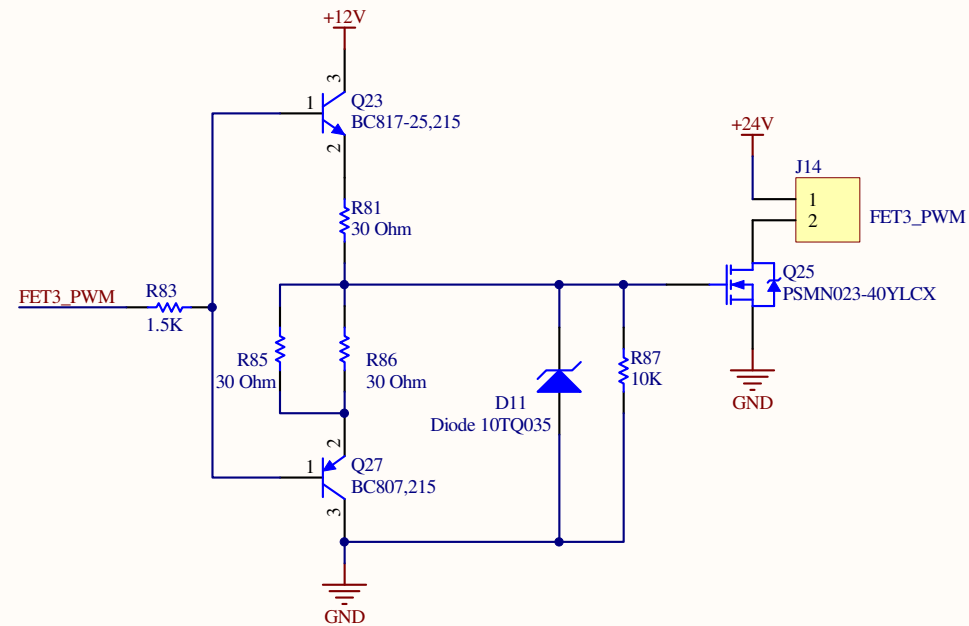
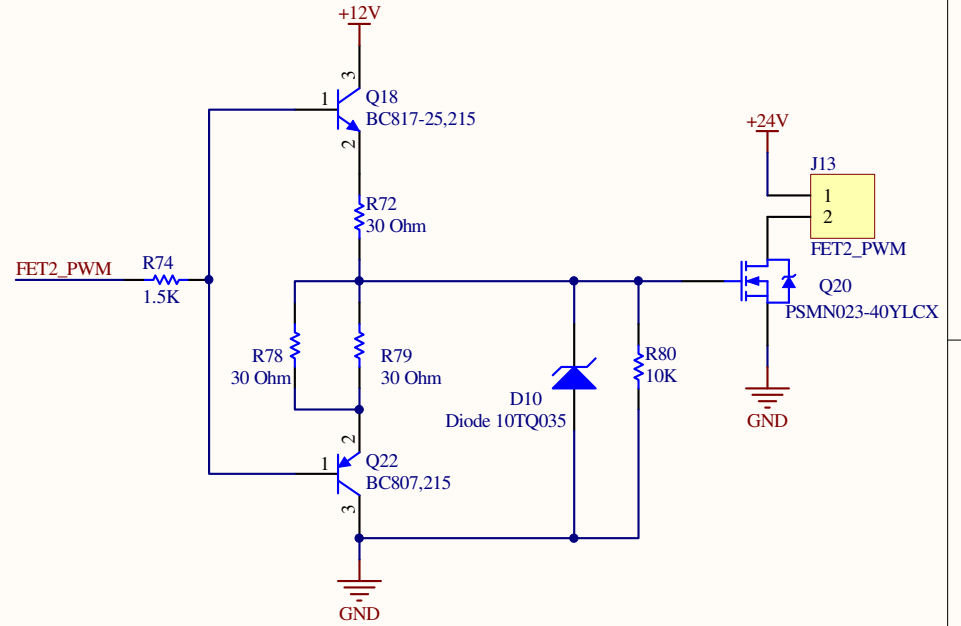
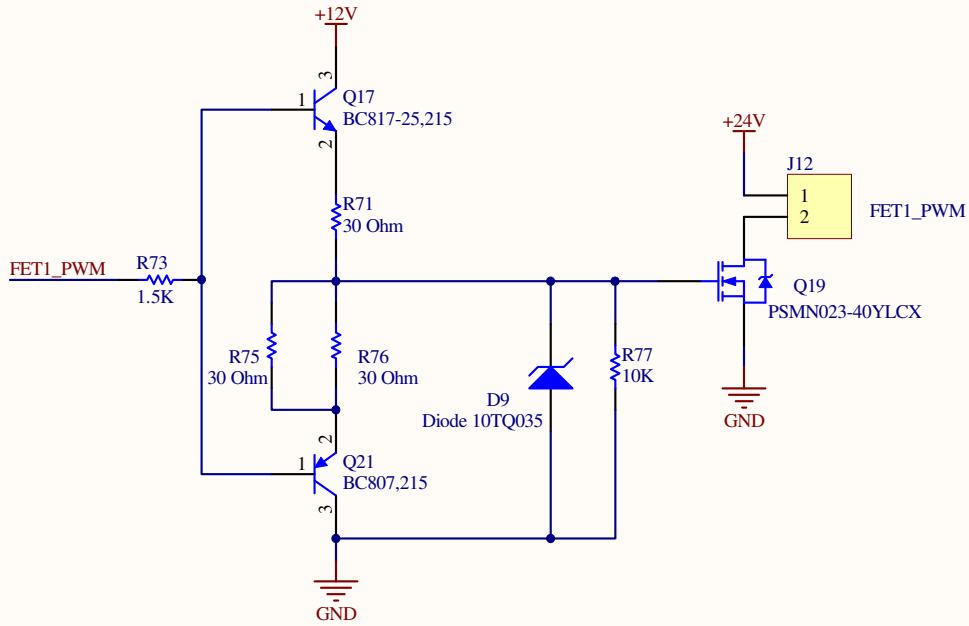
Altium Design	
Size	Endstop (Arduino2560 based stepstick control device)
A	
Date:	8/4/2013
File:	C:\Users\...Stepmotor endstop sensor part S
Ammiran	



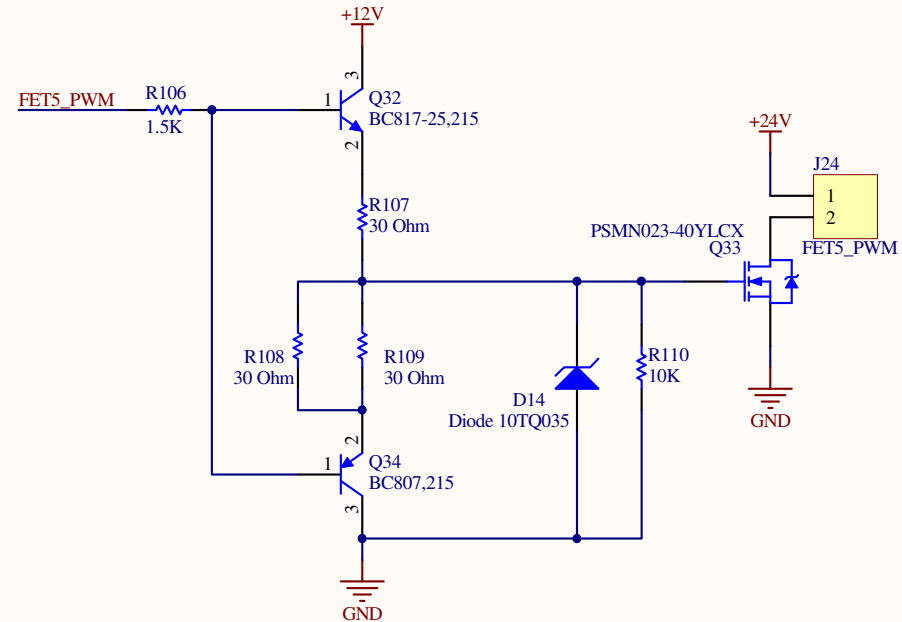
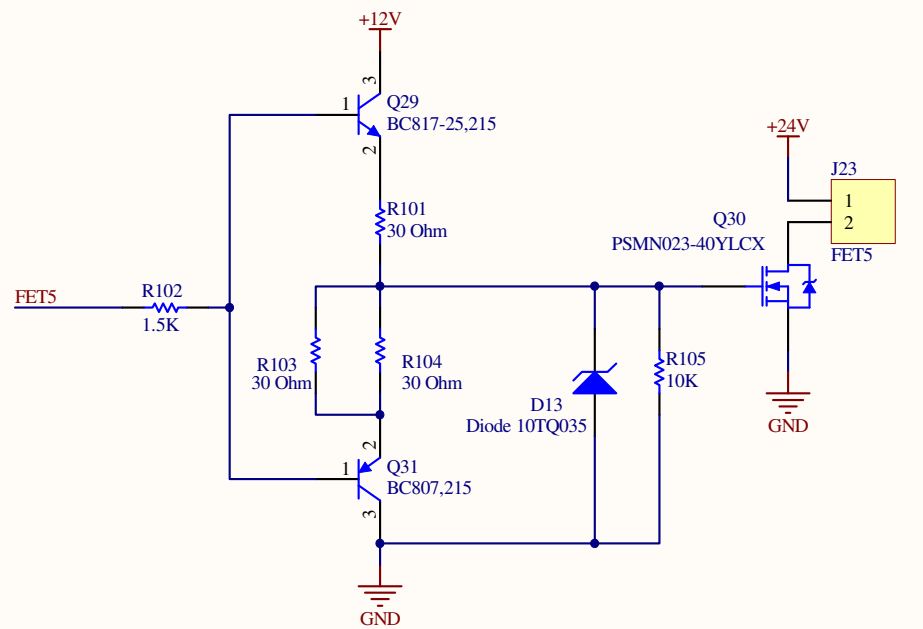
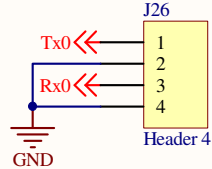
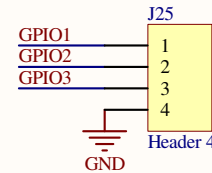
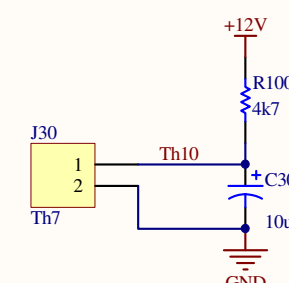
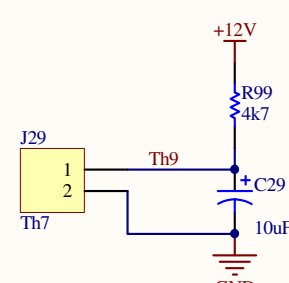
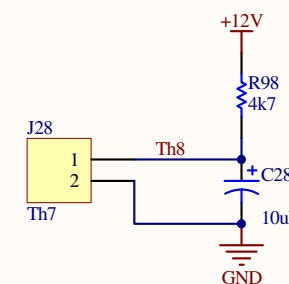
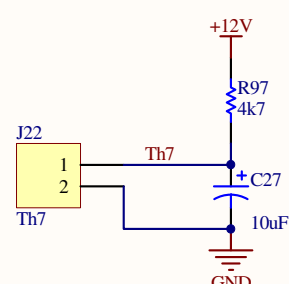
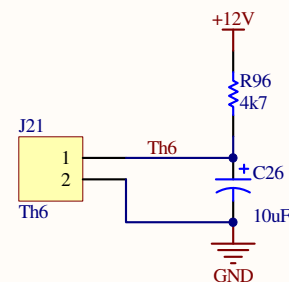
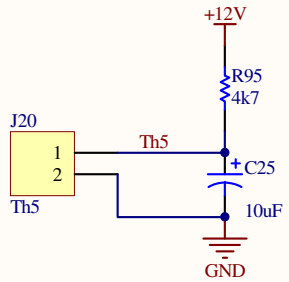
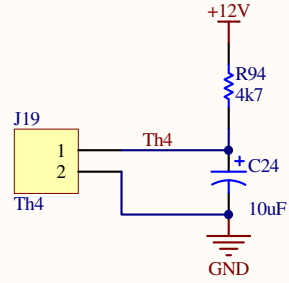
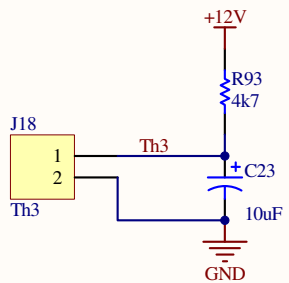
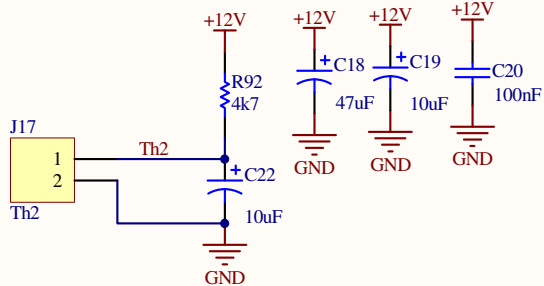
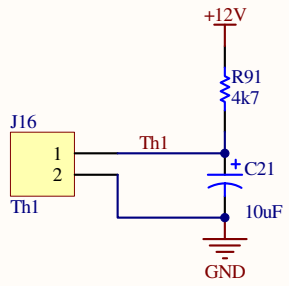
Title		
Aurdino Interfacing Connectors		
Size	Number	Revision
A4		
Date:	8/25/2013	Sheet of
File:	C:\Users\...\Aurdino25601.SchDoc	Drawn By:



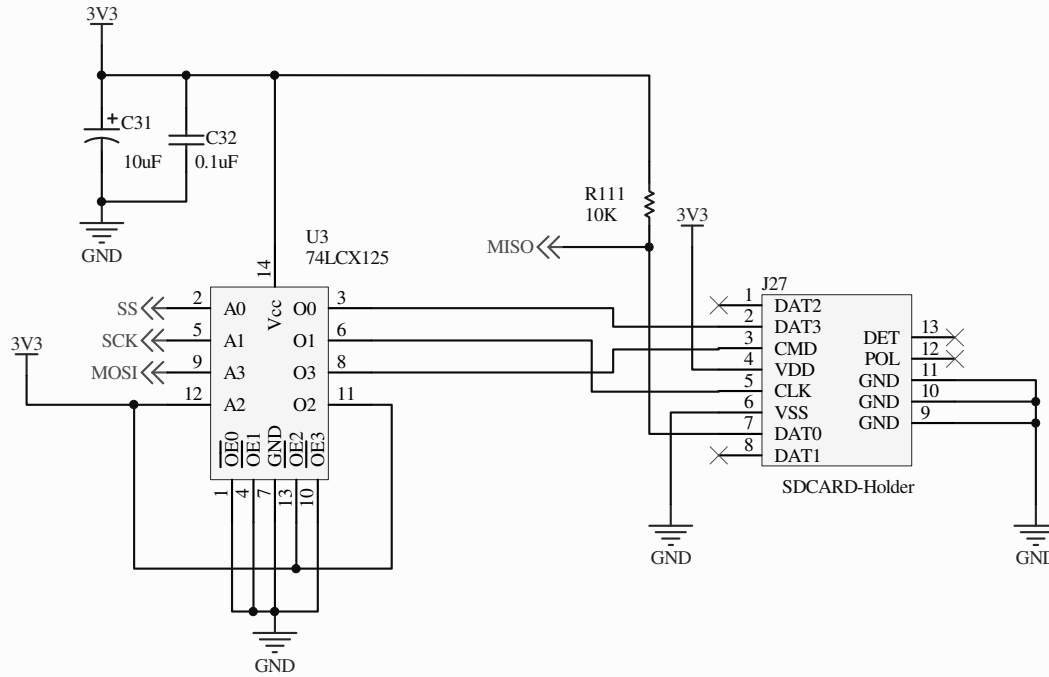
Title		
FETs Driver Stage		
Size	Number	Revision
A		
Date:	8/25/2013	Sheet of
File:	E:\elance\..FET Driver Stages.SchDoc	Drawn By:



Title		
FET-PWM Driver Stage		
Size	Number	Revision
A		
Date:	8/25/2013	Sheet of
File:	E:\elance\..FET-PWM Driver Stages.SchDoc	
		Drawn By:



Title		
Thermisters with FET		
Size	Number	Revision
A		
Date:	9/11/2013	Sheet of
File:	E:\Elance\...\ThermisterswithFETs.SchDoc	Drawn By:



Title		
SD CARD Interface		
Size	Number	Revision
A		
Date:	8/25/2013	Sheet of
File:	E:\Elance\...\ASDCard.SchDoc	Drawn By: