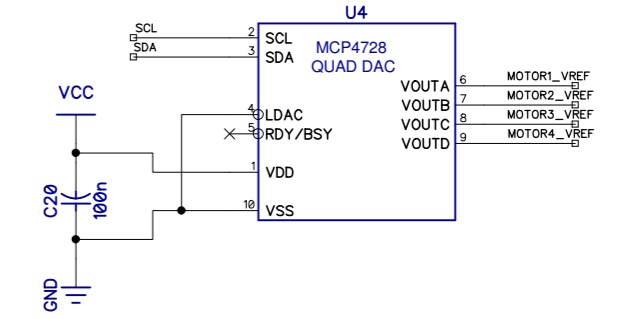
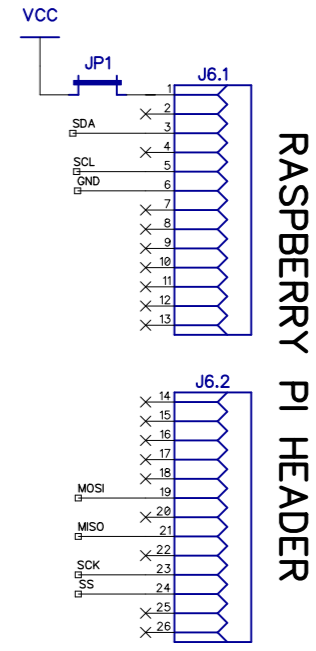
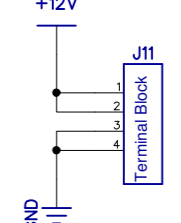
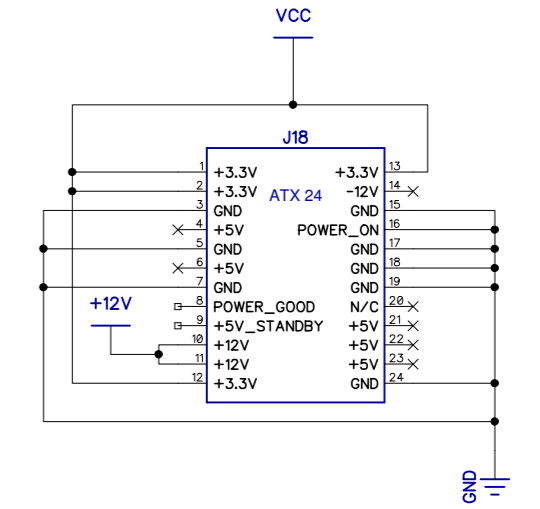
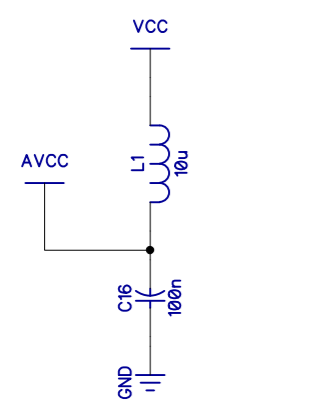
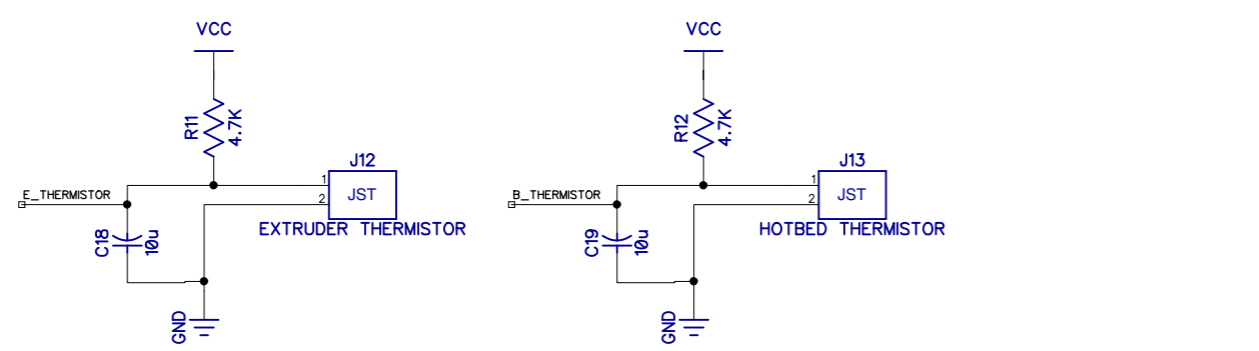
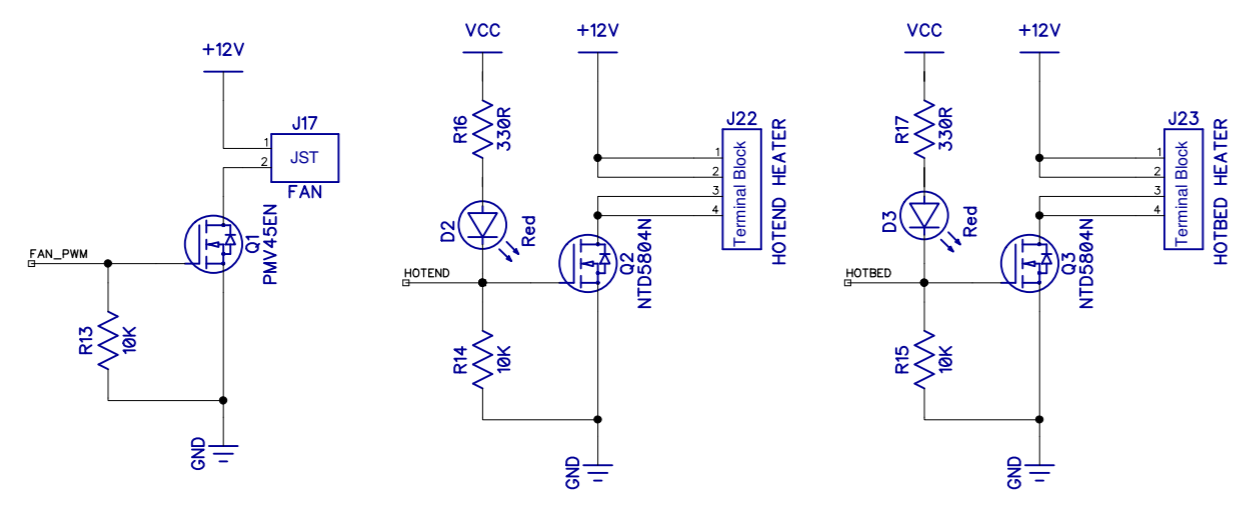
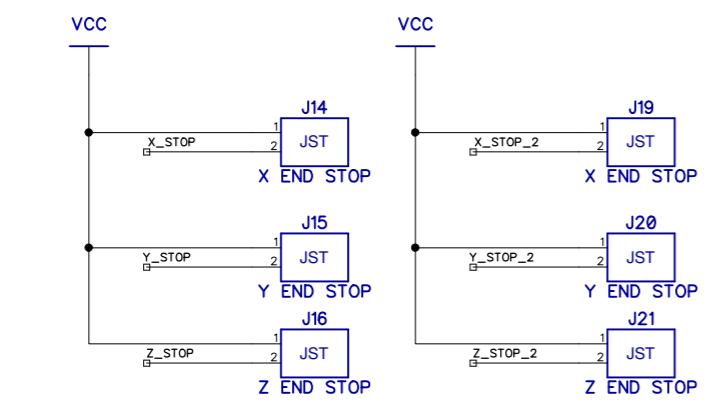
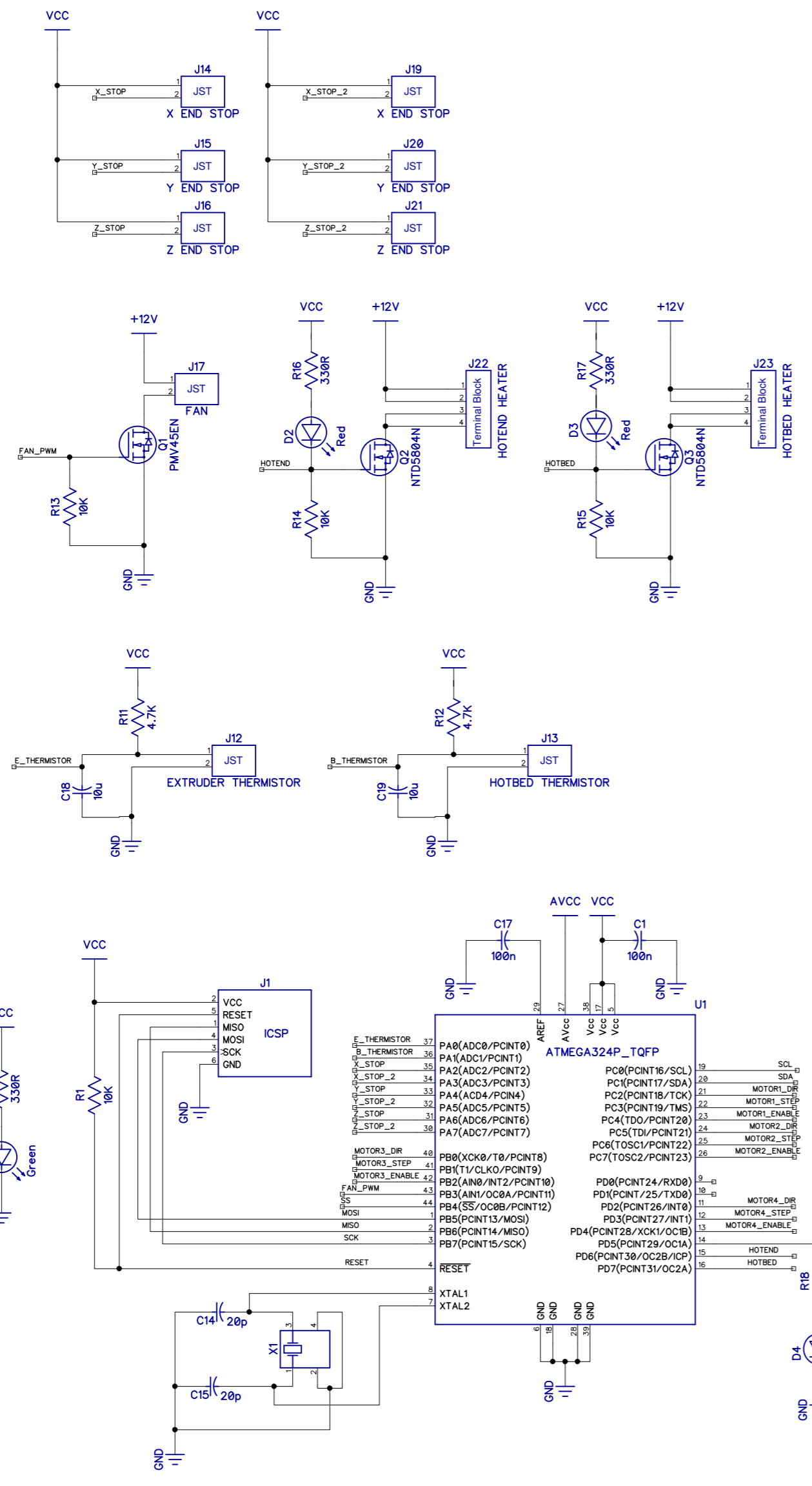
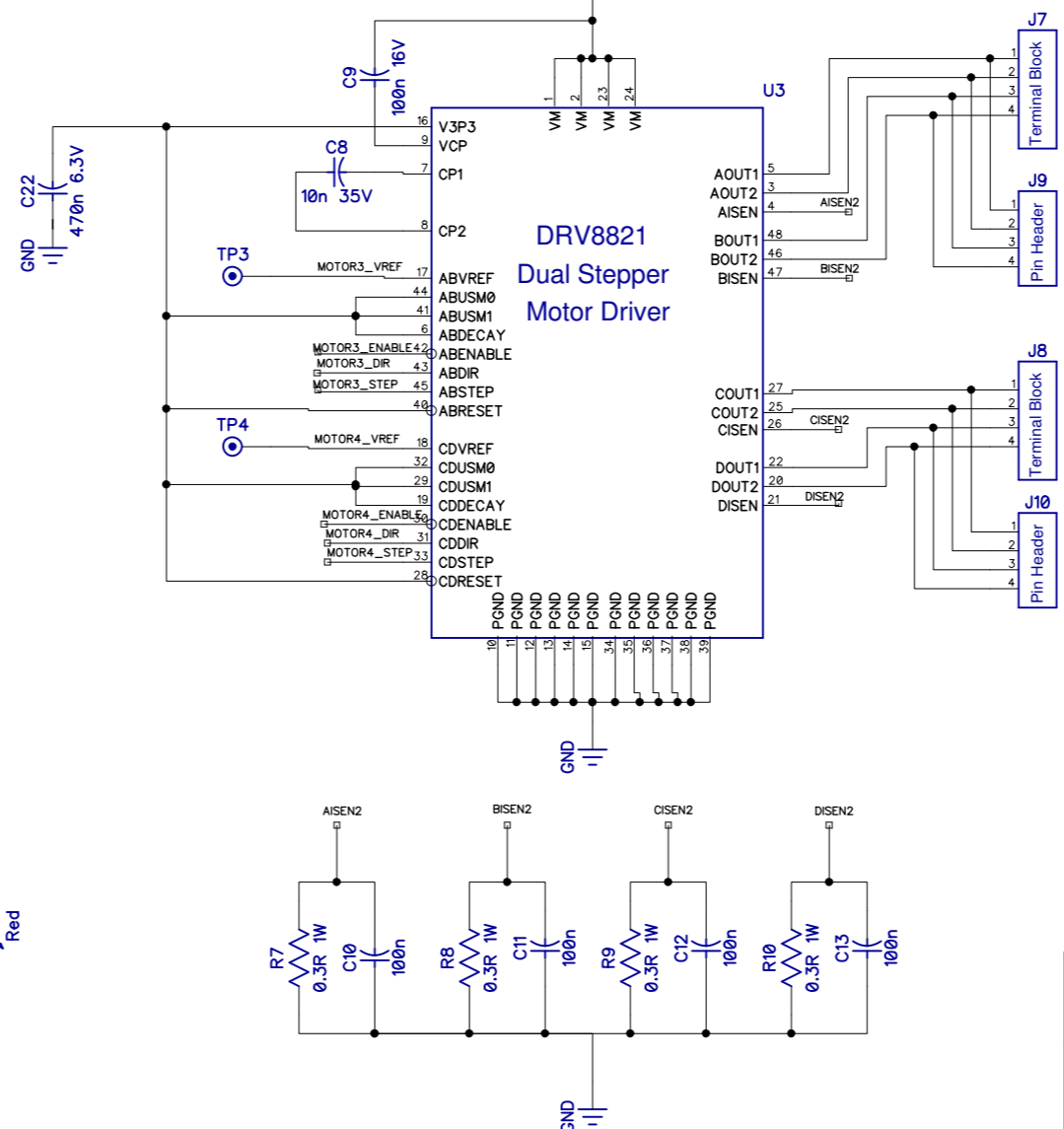
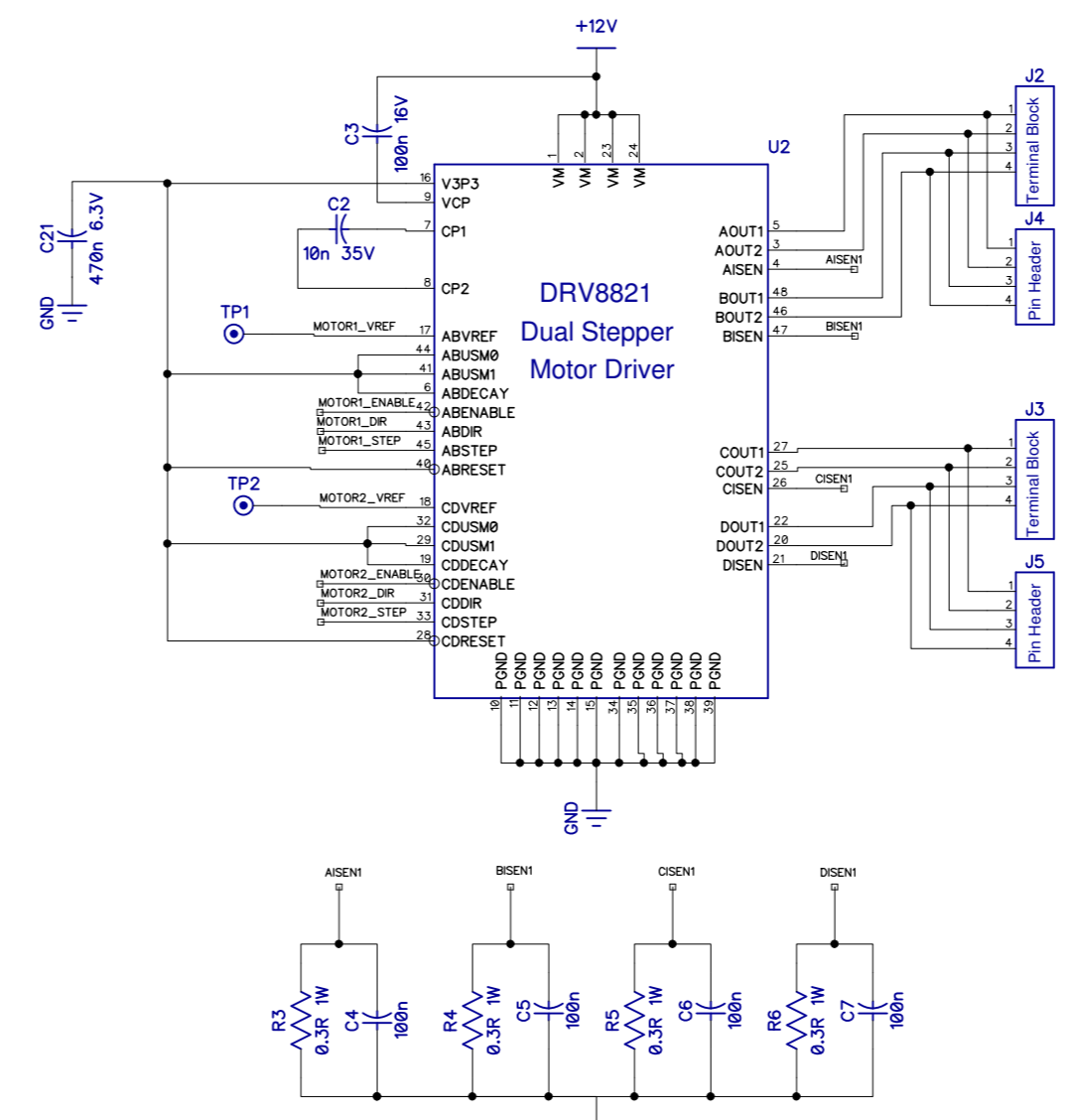


REVISIONS				
ZONE	REV	DESCRIPTION	DATE	APPROVED

Quad Stepper Driver for Raspberry Pi



May 2012		Joshua Nussbaum		
SIZE	FSCM NO.	DWG NO.	REV 0	
SCALE			Sheet 1	



D
C
B
A

4 3 2 1

4 3 2 1