

IMT-901 - Microstep Constant Current Driver "IC"

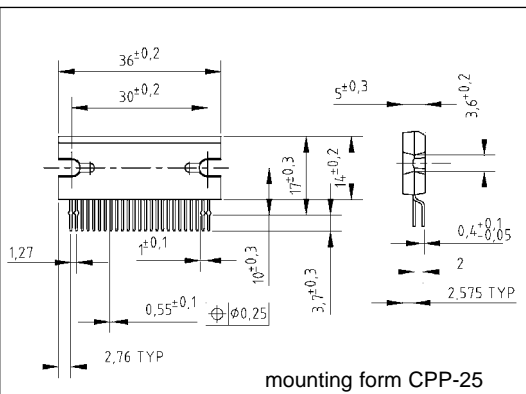


The IMT 901 is a PWM chopper type sinusoidal micro step bipolar stepping motor driver. Sinusoidal micro step operation is generated by means of built-in hardware and is outputted for operation by clock signal inputting.

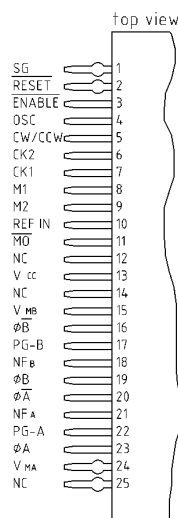
Advantages:

- only one IC for power and logic (up to 2,5 A/phase) reduces considerably space, assembly time and cost of a microstep driver with a max. functions yet with a min. of ext. components.
- selectable from: 1/1-, 1/2-, 1/4-, 1/8-Step enables individual application-related microstep switching, smooth and constant running and reduces considerably system resonance.
- Current down system or current zeroing reduces or eliminates motor power losses and heating during stand-still

Dimensions (mm)



PIN-Assignment



max. Nominal Values (at 25 °C)

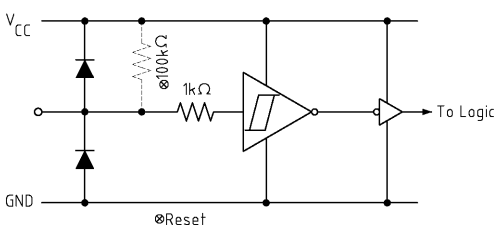
Supply voltage V_{CC} :	5,5 V
V_M :	40 V
Output current I_{out} :	1,5 A (AVE) 2,5 A (peak)
Power dissipation P_d :	4 W/40 W without/with heat sink
Operation temp.:	-40°C to 85°C
Storage temp.:	-55°C to 150°C

Input		Mode
M1	M2	
L	L	1/1 Step
H	L	1/2 Step
L	H	1/4 Step
H	H	1/8 Step

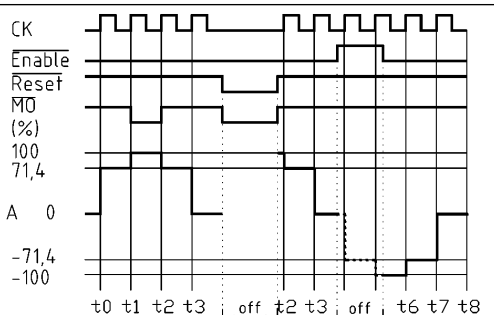
Signal Circuit times
 t1: pulse width >10µs
 t2: pulse width >10µs
 t3: > 5µs
 t4: >10µs



Inputs

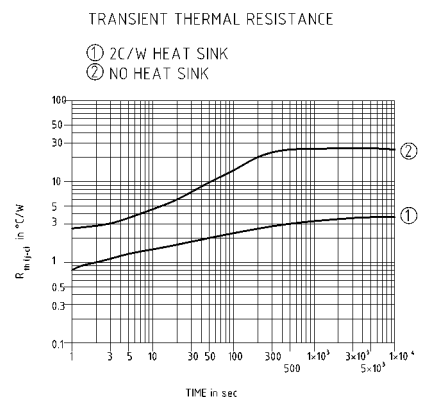
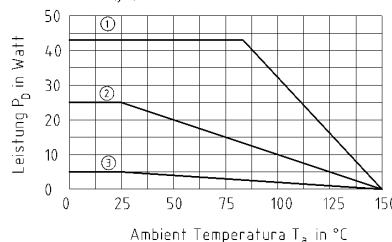


Input-/Output-Signals



Thermal Behavior

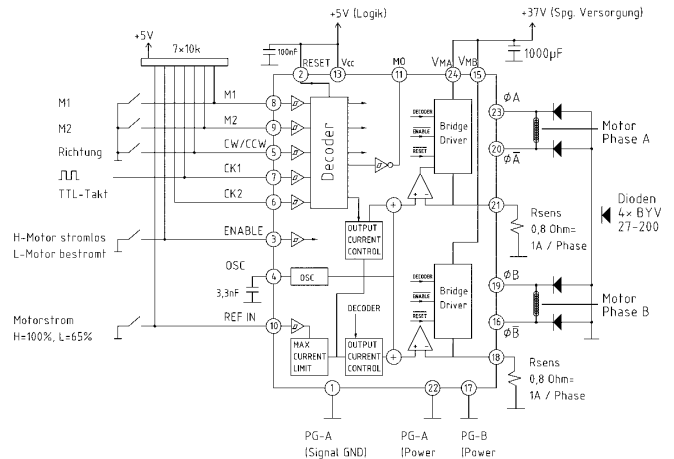
- ① INFINITE HEAT SINK
 $R_{th(j-c)} = 1,5°C/W$
- ② HEAT SINK
{with 3,5°C/W Heat Pin and 1,5°C contact thermal Resistance; Total 5°C/W}
- ③ NO HEAT SINK
 $R_{th(j-a)} = 25°C/W$



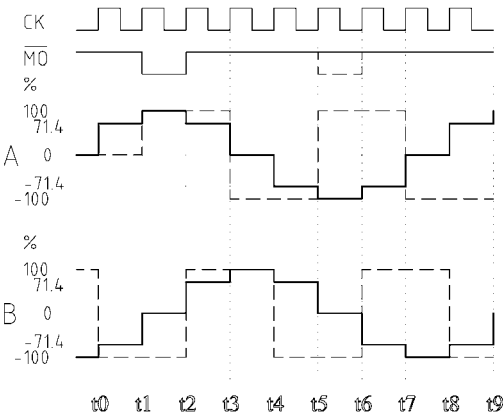
Function Table

INPUT					MODE
CK1	CK2	CW/CCW	Enable	Reset	
	H	L	L	H	CW
	L	L	L	H	INHIBIT
H		L	L	H	CCW
L		L	L	L	INHIBIT
	H	H	L	H	CCW
	L	H	L	H	INHIBIT
H		H	L	H	CW
L		H	L	H	INHIBIT
X	X	X	H	H	Z
X	X	X	X	L	Z

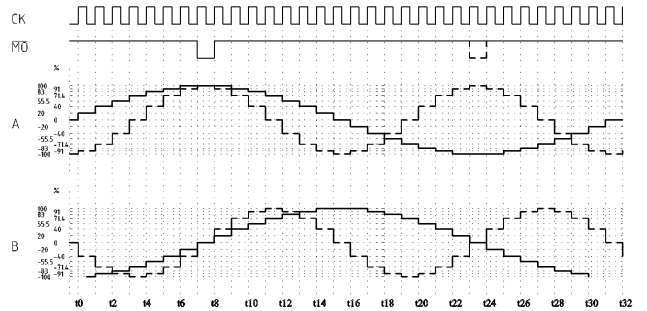
Block diagram (+ external Circuit)



Full-/Half-Step Mode



Quarter-/Eighth-Step Mode



Electrical Characteristics 1 (Ta=25°, VCC=5V, VM=24V)

CHARACTERISTICS	SYMBOL	TEST CIRCUIT	TEST CONDITION	MIN.	TYP.	MAX.				
NF Terminal Current	I_{NF}	-	SOURCE TYPE	-	170	-				
OSC Frequency	f_{OSC}	-	$C_{OSC}=0.0033\mu F$	25	44	62				
Output Saturation Voltage	$V_{SAT(U)}$	Upper Side	$I_{OUT}=0.8 A$	-	1.8	2.2				
		Lower Side		$V_{SAT(L)}$	-	1.1	1.5			
A-B CHOPPING CURRENT (Note 1)	VECTOR	2W1-2e	W1-2e	1-2e	$\Delta I=0/8$	-	100	-		
		2W1-2e	-	-	$\Delta I=1/8$	-	100	-		
		2W1-2e	W1-2e	-	$\Delta I=2/8$	96	91	96		
		2W1-2e	-	-	$\Delta I=3/8$	78	83	88		
		2W1-2e	W1-2e	1-2e	$\Delta I=4/8$	66.4	71.4	76.4		
		2W1-2e	-	-	$\Delta I=5/8$	50.5	55.5	60.5		
2 Phase excitation mode VECTOR	-	2W1-2e	W1-2e	-	$\Delta I=6/8$	35	40	45		
		2W1-2e	-	-	$\Delta I=7/8$	15	20	25		
		-	-	-	-	-	141	-		
		-	-	-	-	-	0	-		
Feed Back Voltage Step	ΔV_{FB}	-	REF IN : H	$R_{FB}=0.8 \Omega$	$C_{OSC}=0.0033\mu F$	$\Delta I=0/8-1/8$	-	32	72	112
						$\Delta I=1/8-2/8$	24	64	104	
						$\Delta I=2/8-3/8$	53	93	133	
						$\Delta I=3/8-4/8$	87	127	167	
						$\Delta I=4/8-5/8$	84	124	164	
						$\Delta I=5/8-6/8$	120	160	200	
Output T _s Switching Characteristics	-	-	-	-	-	t_{LH}	$R_L=2\Omega, V_{IN}=0V$	-	0.3	-
						t_{HL}	$C_L=15pF$	-	2.2	-
						t_{LH}	CK-Output	-	1.5	-
						t_{HL}	CK-Output	-	2.7	-
						t_{LH}	OSC-Output	-	5.4	-
						t_{HL}	OSC-Output	-	6.3	-
						t_{LH}	RESET-Output	-	2.0	-
						t_{HL}	RESET-Output	-	2.5	-
						t_{LH}	ENABLE-Output	-	5.0	-
						t_{HL}	ENABLE-Output	-	6.0	-
Output Leakage Current	Upper Side	Lower Side	I_{OL}	-	$V_{FB}=30V$	-	-	50	-	
						-	-	50	-	
Output Voltage	$V_{OH(MO)}$	$V_{OL(MO)}$	-	-	$I_{OH}=-40\mu A$	4.5	4.9	V_{CC}	-	
						GND	4.1	0.5	-	

Note : Maximum Current (9e=0) : 100%
 2W1-2e: 2W1, 2 phase excitation mode
 W1-2e: W1, 2 phase excitation mode
 1-2e: 1, 2 phase excitation mode

Electrical Characteristics 2 (Ta=25°, VCC=5V, VM=24V)

CHARACTERISTIC	SYMBOL	TEST CIRCUIT	TEST CONDITION	MIN.	TYP.	MAX.	UNIT			
Input Voltage	High	$V_{IN(H)}$	M1, M2, CW/CCW, REF IN	3.5	-	$V_{CC}+0.4$	V			
	Low	$V_{IN(L)}$	ENABLE, CK1, CK2 RESET	GND-0.4	-	1.5	V			
Input Hysteresis Voltage	V_H	-	-	-	600	-	mV			
Input Current	-	-	$I_{IN-1(H)}$	M1, M2, REF IN, ENABLE $V_{IN}=5.0 V$	-	-	100	nA		
			$I_{IN-1(L)}$	RESET, $V_{IN}=0 V$ INTERNAL PULL-UP-RESISTOR	10	50	100	µA		
			$I_{IN-2(L)}$	SOURCE TYPE, $V_{IN}=0 V$	-	-	100	nA		
Quiescent Current	V_{CC}	-	I_{CC1}	Output Open RESET : H, ENABLE : L (2,1 - 2 Phase excitation)	-	10	18	mA		
			I_{CC2}	Output Open (W1-2, 2W1-2 Phase Excitation) RESET : H, ENABLE : L	-	10	18			
	V_{CC}	-	I_{CC3}	RESET : L, ENABLE : L	-	5	-			
			I_{CC4}	RESET : H, ENABLE : L	-	5	-			
Comparator Reference Voltage	-	-	$V_{NF(H)}$	REF IN H Output Open	2 Phase excitation, $R_{NF}=0.7 \Omega$, $C_{OSC}=0.0033\mu F$	0.72	0.8	0.88	V	
			$V_{NF(L)}$	REF IN H Output Open	-	0.45	0.5	0.55		
Output Differential	ΔV_D	-	B/A $C_{OSC}=0.0033 \mu F, R_{NF}=0.8 \Omega$	-10	-	10	%			
Output Voltage	$V_{OH(MO)}$	-	-	-	$I_{OH}=-40\mu A$	$V_{NF(L)}/V_{NF(H)}$	56	63	70	%
						$V_{OH(MO)}$	GND	0.1	0.5	mV