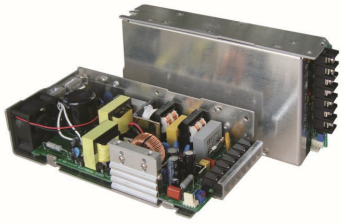


TPS200-350W VK Series



200 W, 350 W

Input:	85 - 264 VAC, 47 - 63 Hz or 120 - 370 VDC
Output:	See Table
Output Power:	200 - 350 W

Electrical Specifications

Input

Input Range:	85 - 264 VAC or 120 - 370 VDC automatically selected
Frequency:	47 - 63 Hz
Power Factor:	0.99
Leakage Current:	< 0.5 mA @ 50/60 Hz, 264 VAC Input

Output

Output Voltage Adjust:	See Table
Hold-up Time:	20 ms @ full Load, 230 VAC
Ripple/Noise:	< 1 % of Output Voltage
Output Power:	Max. 110 to 130 %, Constant Current Limited
Protections:	OVP, OTP

Safety, EMC

CE compliance with Low-Voltage Directive 2014/35/EU
EMC Directive compliance with 2014/30/EU
Safety compliance with UL508, UL60950-1, EN60950-1

Environmental

Fan Cooling	
Operating Temperature:	0° - 70°C Ambient (Derating from 50°C - 70°C)
Electromagnetic Susceptibility:	Meet IEC 801, -2, -3, -4, -5, -6, Level 3
Humidity:	5 - 95 %, Non-Condensing
Storage Temperature:	-25°C - 85°C
Altitude:	3000 m
MTBF demonstrated:	> 350.000/h at full Load at 25°C Ambient

Installation

See Drawing

Accessories and Packing

- 1 x Power Supply
- 1 x Manual

Special Features

- Constant Current Limited
- OTP, OVP, OLP
- TTL Signal for Remote Sense and Remote On/Off
- Fan Cooling
- 5 Years Warranty

Key Applications

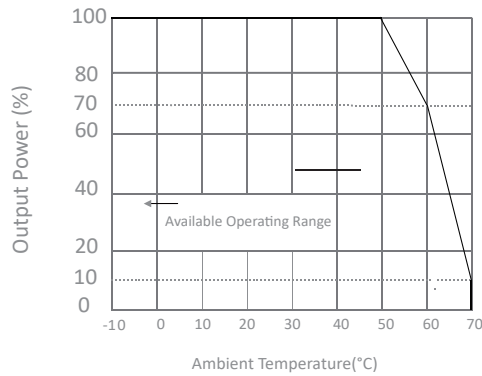
- Motor Drive
- Automation, Alarm and Security
- Switchgear, Control Systems
- DC UPS Systems

TPS200-350W VK Series

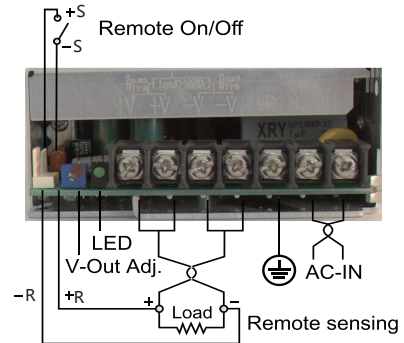


TPS200

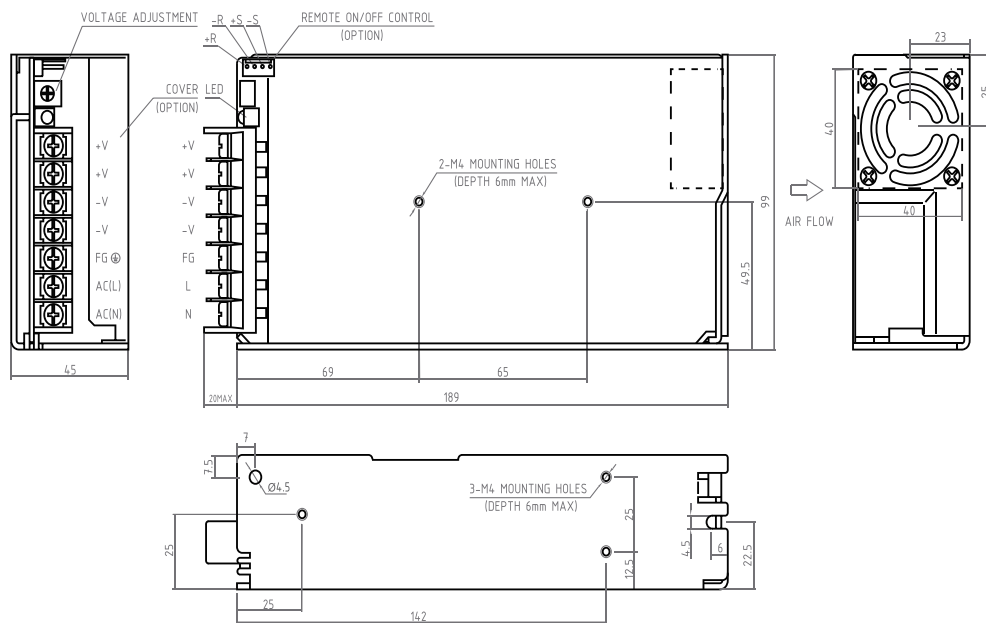
Deratings



Terminal Block and LED Indicator



Mechanical Drawing (mm)



Ordering Information

Article No.	Article Name	Voltage (V)	Current (A)	Power (W)	Efficiency
901001813-42433	TPS200-05VK	5 - 6	40	200	86 %
901001814-42434	TPS200-12VK	12 - 15	16.5	200	87 %
901001816-42435	TPS200-15VK	15 - 17	13	200	87 %
901001812-42436	TPS200-24VK	24 - 28	8.4	200	87 %
901001819	TPS200-54VK	54 - 56	4.2	200	87 %

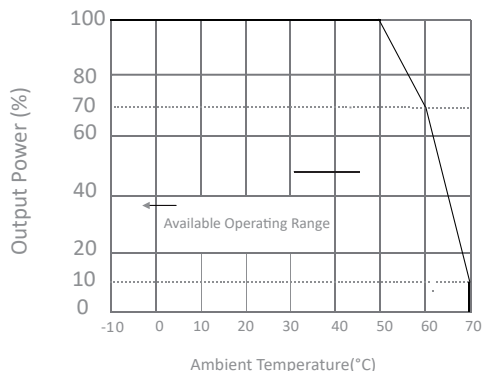
Efficiency measured at Input 220 VAC, Full Load.

TPS200-350W VK Series

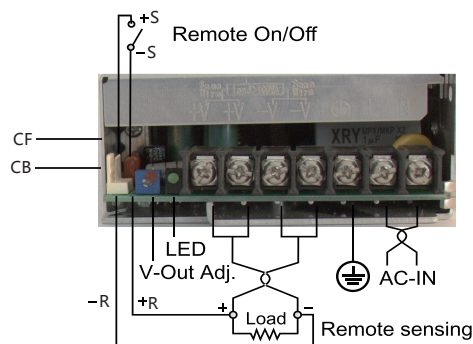


TPS300

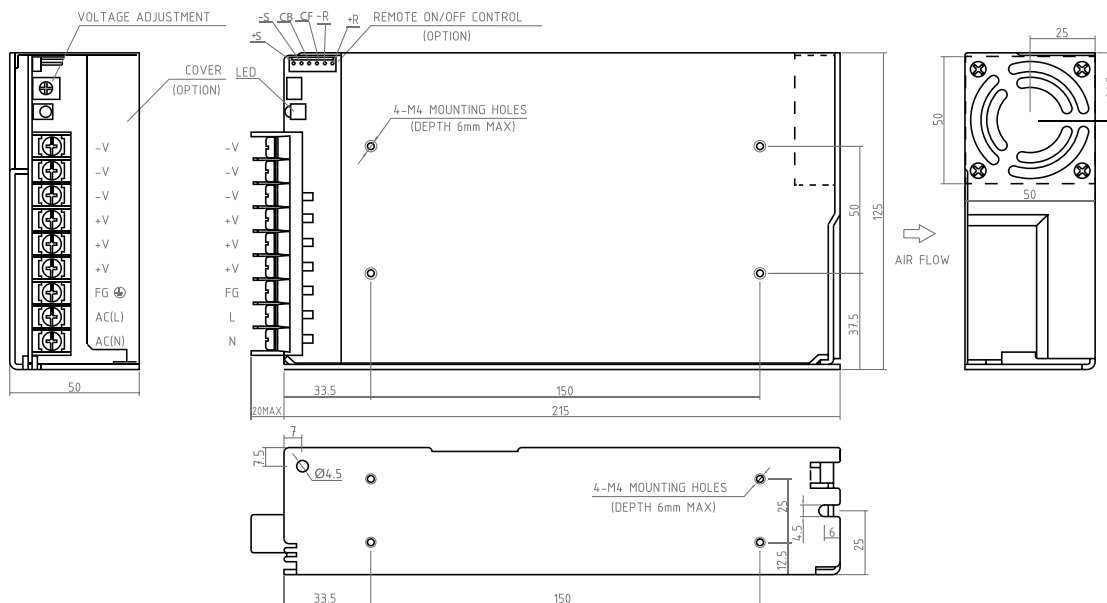
Deratings



Terminal Block and LED Indicator



Mechanical Drawing (mm)



Ordering Information

Article No.	Article Name	Voltage (V)	Current (A)	Power (W)	Efficiency
901001900-42437	TPS300-05VK	5 - 6	60	300	86 %
901001901-42438	TPS300-12VK	12 - 15	30	350	87 %
901001903-42439	TPS300-15VK	15 - 17	23	350	87 %
901001904-42440	TPS300-24VK	24 - 28	14.5	350	87 %
901001906-42441	TPS300-48VK	48 - 54	7.3	350	87 %
901001907	TPS300-54VK	54 - 56	6.3	350	87 %

Efficiency measured at Input 220 VAC, Full Load.



Dieses elektronische Gerät darf am Ende seiner Lebensdauer nicht im Hausmüll entsorgt werden. Zur Rückgabe stehen in Ihrer Nähe kostenfreie Sammelstellen für Elektroaltgeräte sowie ggf. weitere Annahmestellen für die Wiederverwendung der Geräte zur Verfügung. Entsprechende Adressen erhalten Sie von Ihrer Stadt- bzw. Kommunalverwaltung. Sollte das alte Elektro- bzw. Elektronikgerät personenbezogene Daten enthalten, sind Sie selbst für die Löschung dieser Ihrer Daten verantwortlich, bevor sie es zurück geben. Weitere nützliche Informationen finden sie auf: www.elektrogesetz.de
 This electronic device must not be disposed of in the household waste at the end of its service life. For your return, there are free collection points for electrical appliances and, if necessary, additional points of acceptance for the reuse of the devices in your area. The addresses can be obtained from your city or communal administration. If the old electrical or electronic device contains personal data, you are responsible for deleting it before you return it. Further information: www.elektrogesetz.de