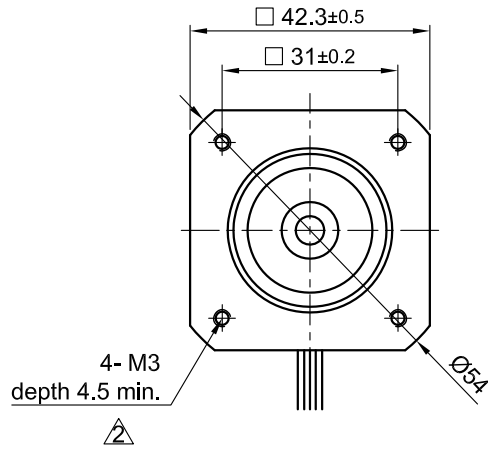
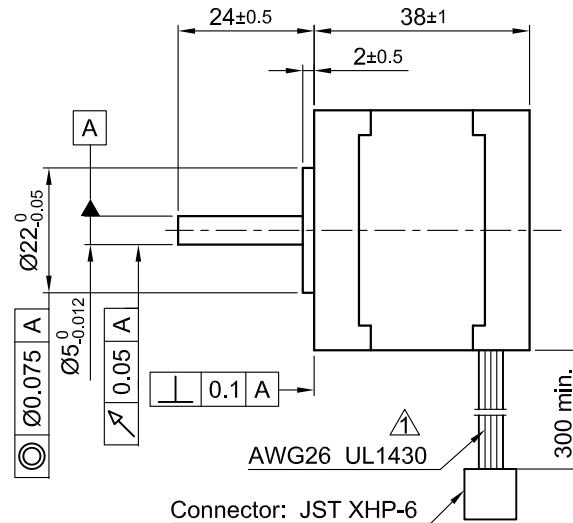


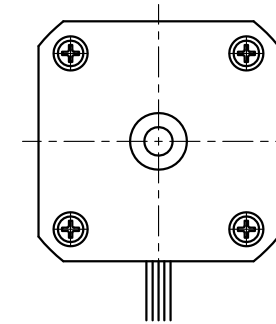
Front view and mounting



Side view

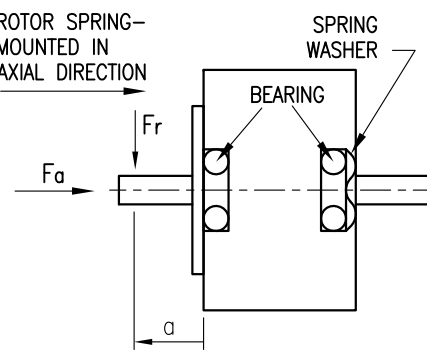


Rear view



SPECIFICATION	UNIPOLAR OR BIPOLAR-1 WINDING	BIPOLAR SERIAL
VOLTAGE (VDC)	3.7	5.27
AMPS/PHASE	1.2	0.85
RESISTANCE/PHASE (Ohms)@25°C	3.1±15%	6.2±15%
INDUCTANCE/PHASE (mH) @1KHz	2.9±20%	11.6±20%
HOLDING TORQUE (Nm) [lb-in]	0.28 [2.478]	0.396 [3.505]
DETENT TORQUE (Nm) [lb-in]	9.8x10 ⁻³ [8.673x10 ⁻²]	
STEP ANGLE (°)	1.8	
STEP ACCURACY (NON-ACCUM)	±5%	
ROTOR INERTIA (Kg-m ²) [lb-in ²]	5.7x10 ⁻⁶ [1.95x10 ⁻²]	
WEIGHT (Kg) [lb]	0.24 [0.53]	
TEMPERATURE RISE: MAX.80°C (MOTOR STANDSTILL; FOR 2 PHASE ENERGIZED)		
AMBIENT TEMPERATURE -10~ 50°C [14°F ~ 122°F]		
INSULATION RESISTANCE 100 MOhm (UNDER NORMAL TEMPERATURE AND HUMIDITY)		
INSULATION CLASS B 130° [266°F]		
DIELECTRIC STRENGTH 500VAC FOR 1 MIN. (BETWEEN THE MOTOR COILS AND THE MOTOR CASE)		
AMBIENT HUMIDITY MAX. 85% (NO CONDENSATION)		

PERMISSIBLE RADIAL+AXIAL FORCE		ROTOR SPRING-MOUNTED IN AXIAL DIRECTION			
AXIAL-FORCE Fa (N)		Fa=7			
DISTANCE a (mm)		5	10	15	20
RADIAL-FORCE Fr (N)		58	36	26	20
		AXIAL		RADIAL	
SHAFT PLAY (mm)		0.08		0.02	
AT LOAD MAX: (N)		4.5		4.5	

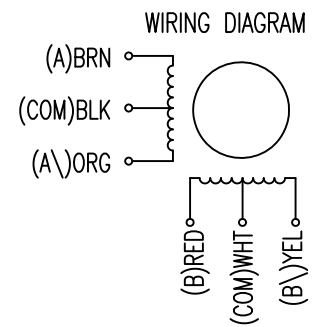


TYPE OF CONNECTION (EXTERN)			MOTOR		
UNIPOLAR	BIPOLAR		CONNECTOR PIN NO.	LEADS	WINDING
	1WINDING	SERIAL			
A ---	A ---	A ---	1	BRN	A
COM ---	COM ---	---	5	BLK	COM
A\ ---	---	A\ ---	3	ORG	A\
B ---	B ---	B ---	2	RED	B
COM ---	COM ---	---	6	WHT	COM
B\ ---	---	B\ ---	4	YEL	B\

for >speed ←
for <speed ←

FULL STEP 2 PHASE-Ex., WHEN FACING MOUNTING END (X)

STEP	A	B	A\	B\	CCW	CW
1	+	+	-	-	↓	↑
2	-	+	+	-	↓	↑
3	-	-	+	+	↓	↑
4	+	-	-	+	↓	↑



				Nanotec® PLUG & DRIVE			APVD	<i>S.Ha.</i>	26.02.07	STEPPING MOTOR	
2	rework draw/change depth M3	09.02.16	A.S.				CHKD			DWG.NO ST4118M1206-A	
1	VALUE OF BACK-EMF+UL NO.	20.06.11	LB	Surface specification DIN ISO 1302	General tolerances DIN ISO 2768- cH	Work piece edge DIN ISO 13715	DRN	<i>J.W.</i>	29.11.06		
REV	DESCRIPTION	DATE	DRN				SIGNATURE		DATE		