

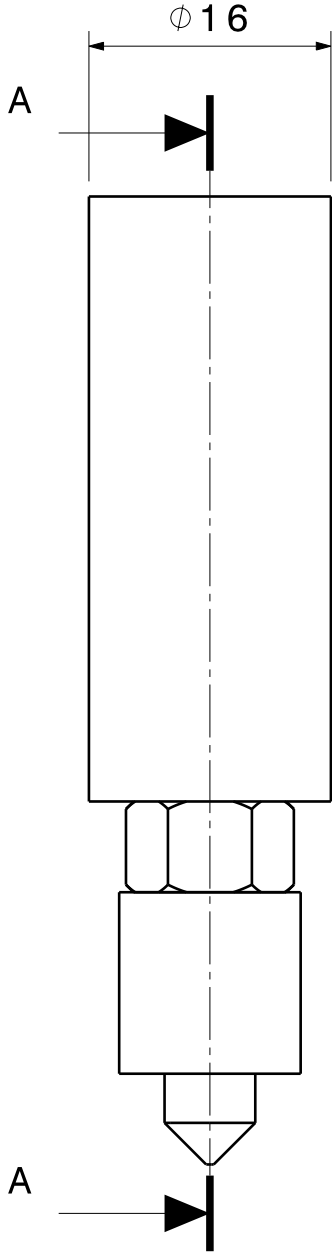
D

C

B

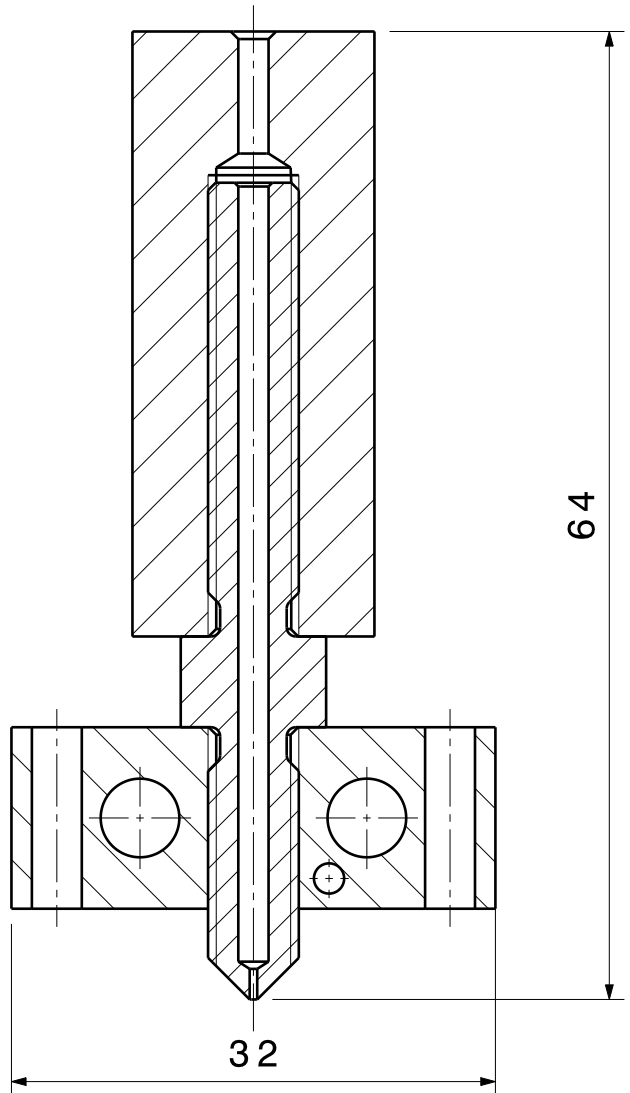
A

4



4

3



3

2

Schnitt A-A

2

1

1

| | |
|----------------------------------|----------------------------|
| DESIGNED BY: d.wilhelm | <h1>Hotend Iso</h1> |
| DATE: 04.04.2013 | |
| CHECKED BY: XXX | <h2>DASSAULT SYSTEMES</h2> |
| DATE: XXX | |
| SIZE A4 | |
| SCALE 2:1 | |
| Material: | DRAWING NUMBER |
| | SHEET 1 / 4 |

| | |
|---|---|
| I | - |
| H | - |
| G | - |
| F | - |
| E | - |
| D | - |
| C | - |
| B | - |
| A | - |

This drawing is our property; it can't be reproduced or communicated without our written agreement.

D

A