

D

C

B

A

4

3

2

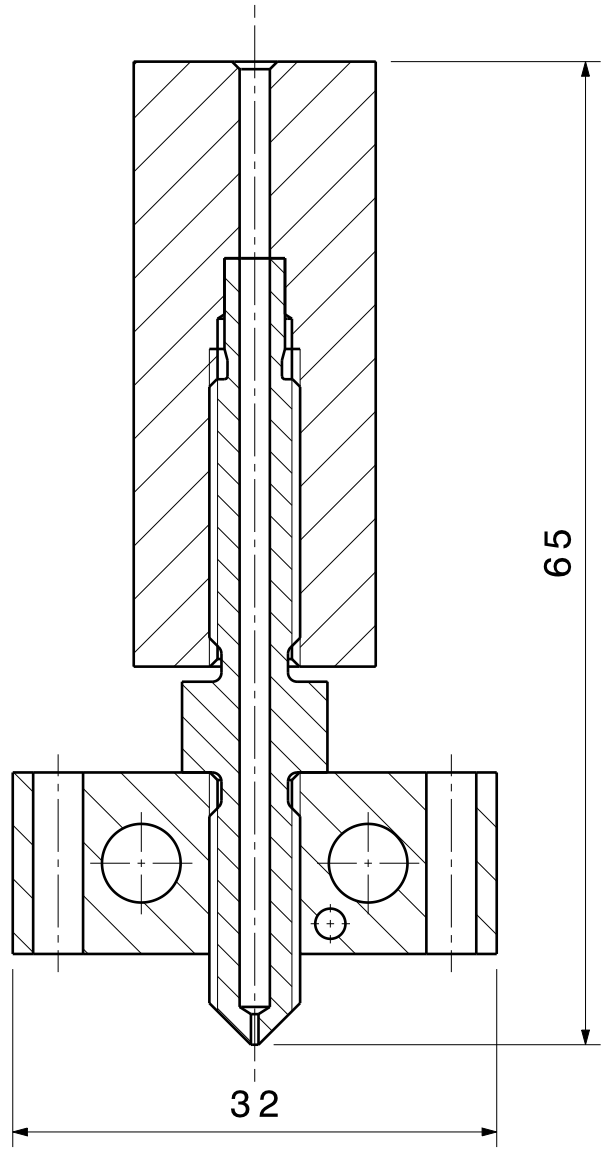
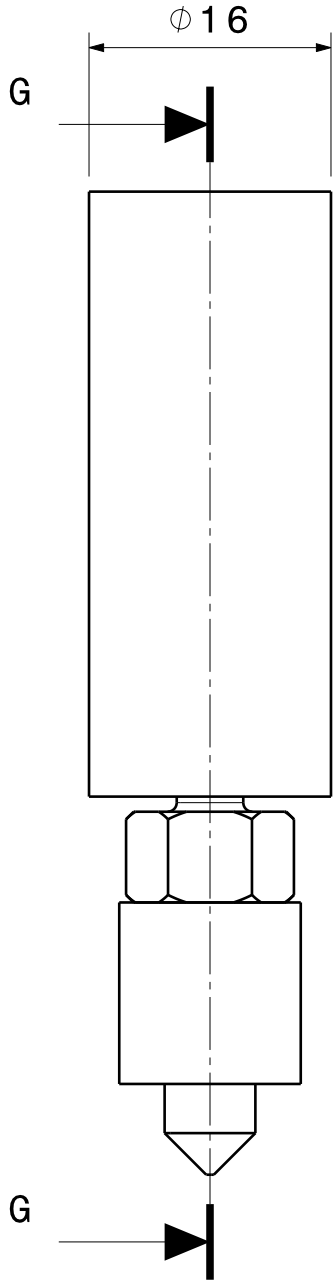
1

4

3

2

1



Schnitt G - G

DESIGNED BY: <b>d.wilhelm</b>	<h1>Hotend Iso Dicht</h1>
DATE: <b>19.04.2013</b>	
CHECKED BY: <b>XXX</b>	
DATE: <b>XXX</b>	
SIZE <b>A4</b>	
SCALE <b>2:1</b>	Material:
	DRAWING NUMBER
	SHEET <b>1 / 4</b>

I	-
H	-
G	-
F	-
E	-
D	-
C	-
B	-
A	-

This drawing is our property; it can't be reproduced or communicated without our written agreement.

D

A