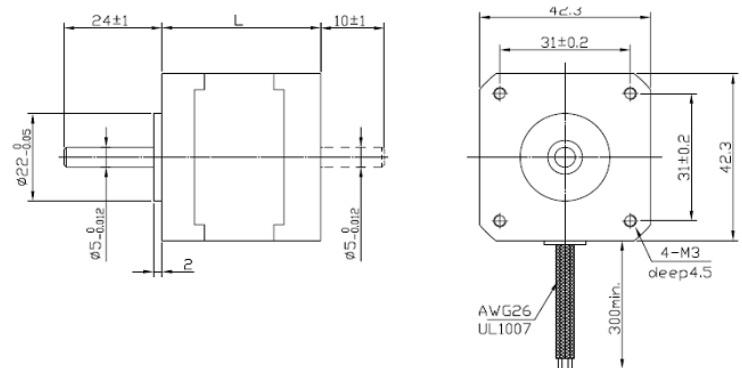


Specifications:

Mode	Phase Number	Current (A)	Resistance (Ω)	Phase Inductance (mH)	Max.Static torque (kg.cm)	Moment of inertia (g.cm ²)	Weight (kg)	Overall Dimension		Lead wires (No.)
								L0(mm)	L1(mm)	
42BYGH001	2	0.95	2.1	2.3	1.7	38	0.20	34	24	4
42BYGH007	4	0.31	38.5	18.5	1.6	38	0.20	34	18	6
42BYGH011	2	0.33	34	46	2.4	38	0.20	34	20	4
42BYGH019	4	0.28	42	23	1.8	38	0.20	34	22	6
42BYGH025	4	0.95	2.6	2.6	1.7	38	0.20	34	18	6
42BYGH068	4	0.95	4.2	2.7	1.7	38	0.20	34	22	6
42BYGH101	2	1.7	1.5	2.3	4.2	38	0.60	39	24	4
42BYGH102	4	1.2	3.5	3.2	2.4	38	0.24	40	24	6
42BYGH103	2	0.4	30	66.0	4.0	38	0.24	40	24	4
42BYGH128	4	0.4	30	24.0	2.5	38	0.24	40	22	6
42BYGH204	2	1.0	4.3	6.3	4.0	82	0.34	48	24	4
42BYGH205	2	1.2	3.2	6.0	4.5	82	0.34	48	24	4
42BYGH301	2	0.8	9.0	14.0	4.2	38	0.60	48	24	4
42BYGH404	4	0.4	30	25.0	3.2	38	0.34	48	24	6
42BYGH2901	2	0.6	7.0	6.0	1.2	38	0.24	30	27.5	4
42BYGH2902	2	1.2	2.0	2.8	1.8	38	0.24	30	18	4
42BYGH3402	2	0.4	40	36	2.6	38	0.24	34	18	4
42BYGH3404	4	0.5	10.5	7.0	1.5	38	0.24	34	18	6
42BYGH3406	4	0.25	75	42	2.0	38	0.24	34	18	6
42BYGH3407	2	0.4	22.5	30	2.2	38	0.24	34	24	4
42BYGH3905	2	0.8	7.0	10	4.2	82	0.24	40	24	4
42BYGH3906	4	0.65	11.5	12	3.2	82	0.24	40	20	6
42BYGH3909	2	0.4	30	35	3.2	82	0.24	40	24	4
42BYGH442C	4	0.3	42	40	2.7	82	0.34	44	27	6
42BYGH4404	2	0.33	42	95	4.2	82	0.60	44	24	4
42BYGH4408	4	1.0	5.0	6.8	3.5	82	0.34	44	24	6
42BYGH4802	2	3.0	0.5	1.1	5.0	82	0.34	48	17	4
42BYGH4803	2	1.5	2.8	4.8	5.0	82	0.34	48	17	4
42BYGH4804	4	0.4	28	22	3.2	82	0.34	48	24	6
42BYGH4806	4	1.0	52	5.2	3.8	82	0.34	48	24	6
42BYGH4807	2	0.5	19	32	4.2	82	0.34	48	24	4

Dimensions:
(Unit=mm)**Wiring Diagram:**