

# Stepping Motors

## M42SP-5, -5K

### OUTLINE

“M42SP-5” realizes the highest output torque in  $\phi 42$  series.

“M42SP-5K” realizes high resolution and high response.

Choose the model to match your product.



### FEATURES

1. High-output torque (M42SP-5), quick response (M42SP-5K).
2. Superior running quietness and stability.

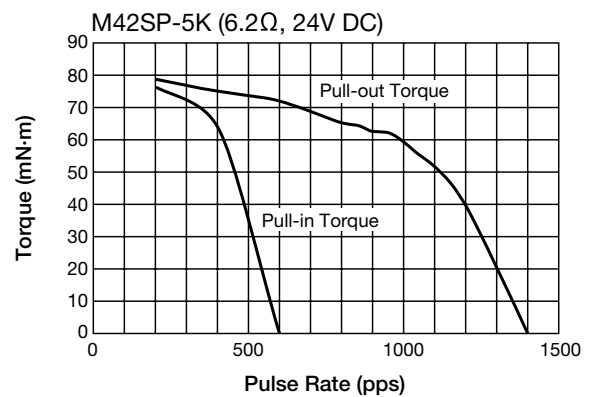
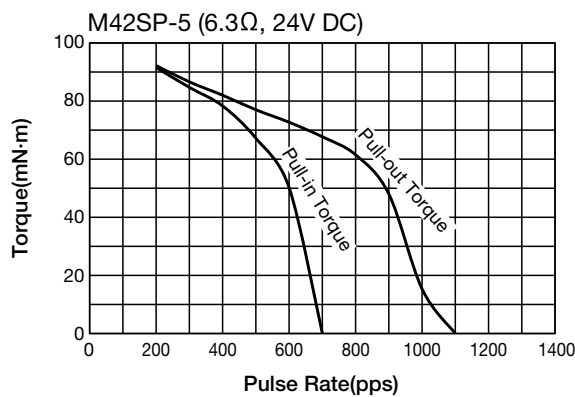
### USES

Printers, multifunction machines, copy machines, FAX, etc.

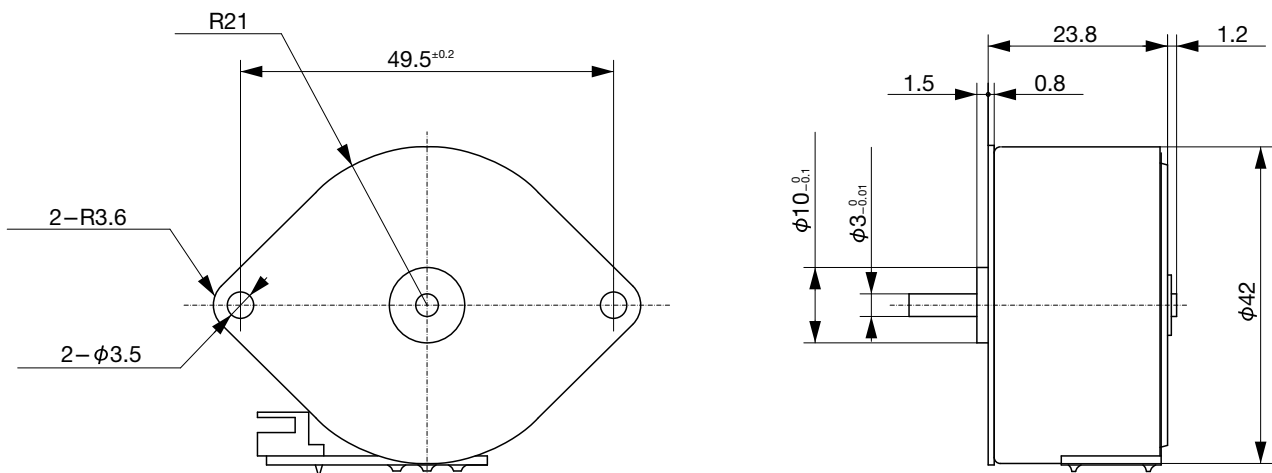
## SPECIFICATIONS

Item	M42SP-5	M42SP-5K
Rated Voltage	DC 24V	
Working Voltage	DC 21.6~26.4V	
Rated Current/Phase	800mA(PEAK)	850mA(PEAK)
No. of Phase	4 Phase	
Coil DC Resistance	6.3Ω/phase±10%	6.2Ω/phase±10%
Step Angle	7.5°/step	
Excitation Method	2-2 Phase excitation (Bipolar driving)	2-2 Phase excitation (Bipolar driving)
Insulation Class	Class E insulation	
Holding Torque	109.8mN·m	85.0mN·m
Pull-out Torque	72.7mN·m/600pps	65.0mN·m/800pps
Pull-in Torque	91.5mN·m/200pps	76.0mN·m/200pps
Max. Pull-out Pulse Rate	1050pps	1,380pps
Max. Pull-in Pulse Rate	630pps	600pps

## CHARACTERISTICS



## DIMENSIONS



Unit : mm, General tolerance : ±0.5