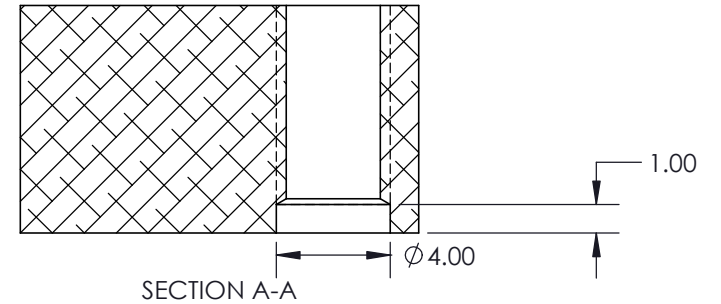
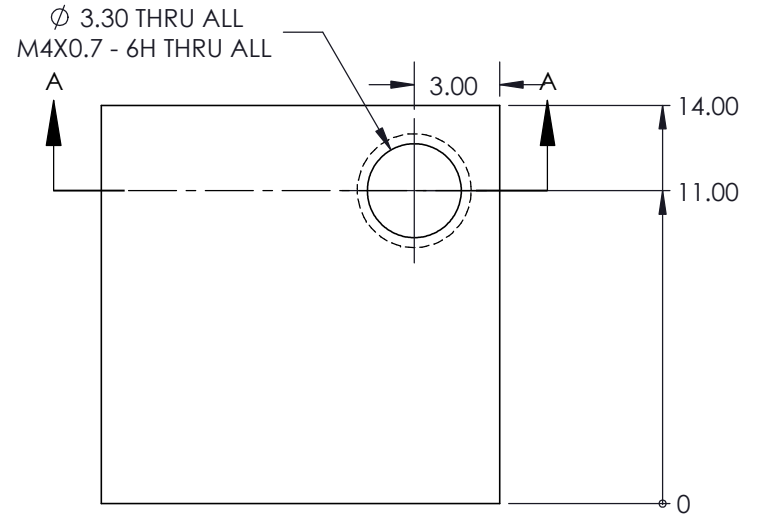
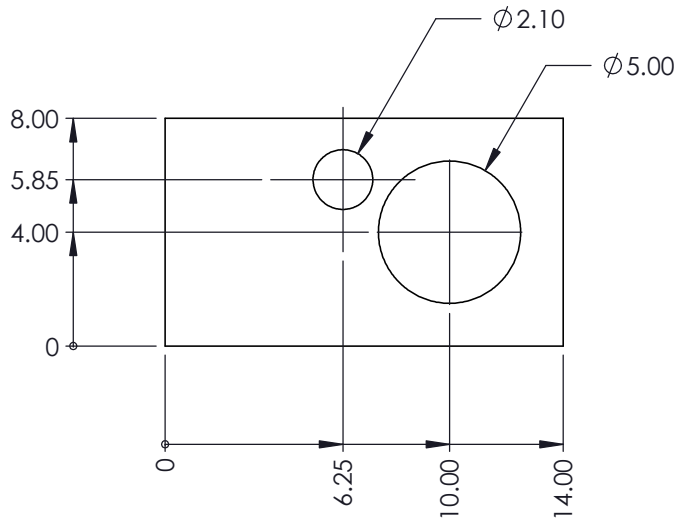


NOTES:

1. MATERIAL: ALUMINIUM
2. FINISH: CLEAN  
ALL DIMENSIONS APPLY AFTER FINISH.
3. MATERIAL AND FINISH MUST COMPLY WITH  
CURRENT ROHS LEGISLATION.
4. BREAK ALL SHARPS.



REVISIONS		
REV.	DESCRIPTION	DATE
1	INITIAL DRAWING	29/09/14
2	ADDED COUNTERBORE FOR M4 HOLE	15/10/14
00-000		27/11/2014

MASS: SEE NOTES	DIMENSIONS ARE IN MILLIMETERS	
MATERIAL: SEE NOTES	STD TOLERANCES: X±0.1 X.X±0.1 X.XX±0.10 ANGLES: ±0.5°	
FINISH: SEE NOTES	ENG.: R. JONES	15/10/14
	DRAFT: R. JONES	15/10/14
	APPR.: R. JONES	15/10/14

	PROJECT: <b>RepRap Pro</b>	
	DUAL HOT END	
DUAL COLOUR HEATER BLOCK		
SIZE: <b>A4</b>	DWG NO.: <b>739</b>	REV: <b>00-000</b>
SCALE: 4:1		SHEET 1 OF 1