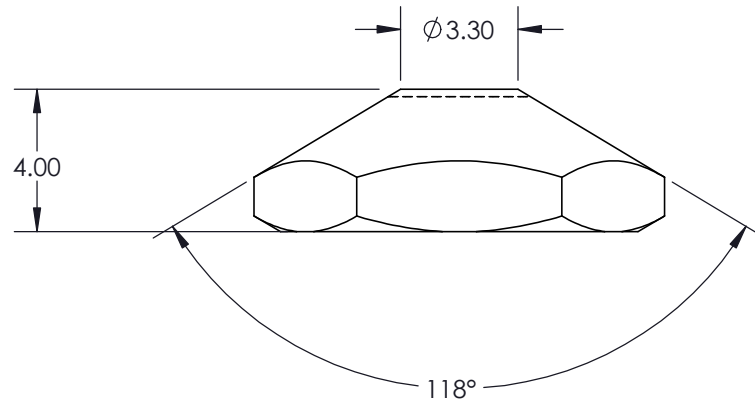
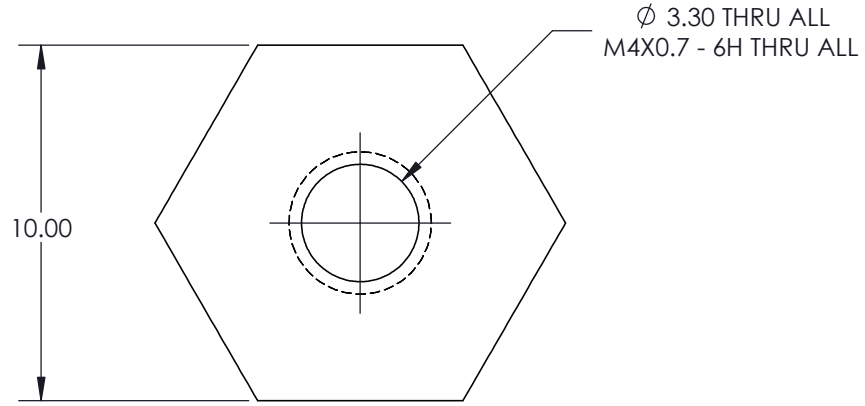


NOTES:

1. MATERIAL: BRASS
2. FINISH: CLEAN
ALL DIMENSIONS APPLY AFTER FINISH.
3. MATERIAL AND FINISH MUST COMPLY WITH
CURRENT ROHS LEGISLATION.
4. BREAK ALL SHARPS.



REVISIONS		
REV.	DESCRIPTION	DATE
1	INITIAL DRAWING	11/3/14
00-000		27/11/2014

MASS: SEE NOTES	DIMENSIONS ARE IN MILLIMETERS STD TOLERANCES: X±0.1 X.X±0.1 X.XX±0.10 ANGLES: ±0.5°	
MATERIAL: SEE NOTES		
FINISH: SEE NOTES		
	ENG.: R. JONES	3/11/14
	DRAFT: R. JONES	11/3/14
	APPR.: R. JONES	11/3/14

	RepRap Pro	
	PROJECT: DUAL HOT END	
TAPERED NUT MK2		
SIZE A4	DWG NO. 794	REV 00-000
SCALE: 5:1		SHEET 1 OF 2