

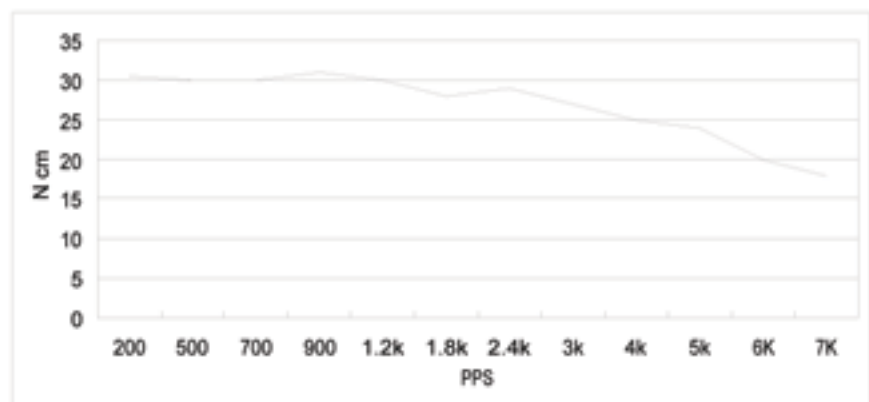
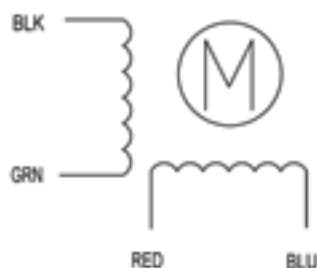
# HIGH TORQUE HYBRID STEPPING MOTOR SPECIFICATIONS

| General specifications   |                                    | Electrical specifications          |             |
|--------------------------|------------------------------------|------------------------------------|-------------|
| Step Angle (°)           | 1.8                                | Rated Voltage (V)                  | 2.8         |
| Temperature Rise (°C)    | 80 Max (rated current, 2 phase on) | Rated Current (A)                  | 1.68        |
| Ambient temperature (°C) | -20~+50                            | Resistance Per Phase (±10%)        | 1.65 (25°C) |
| Number of Phase          | 2                                  | Inductance Per Phase (±20% mH)     | 2.8         |
| Insulation Resistance    | 100MΩ, Min (500VDC)                | Holding Torque (Kg.cm)             | 4.4         |
| Insulation Class         | Class B                            | Detent Torque (g.cm)               | 200         |
| Max. radial force (N)    | 28 (20mm from the flange)          | Rotor Inertia (g.cm <sup>2</sup> ) | 68          |
| Max. axial force (N)     | 10                                 | Weight (Kg)                        | 0.365       |

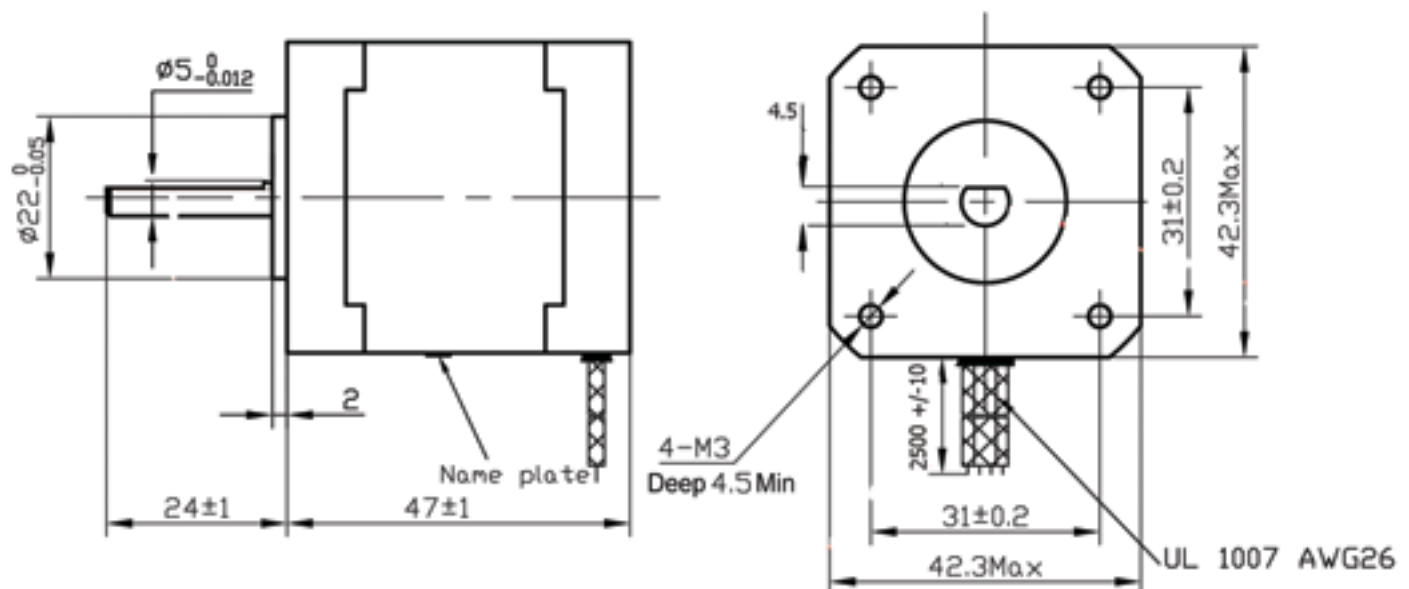
## ● Pull out torque curve:

VOLTAGE: 24VDC, CONSTANT CURRENT: 1.68A, HALF STEP

## ● Wiring Diagram:



## ● Dimensions: (unit=mm)



| REV | REVISIONS | DESCRIPTION | BY | DATE |
|-----|-----------|-------------|----|------|
|     |           |             |    |      |
|     |           |             |    |      |
|     |           |             |    |      |
|     |           |             |    |      |

SY42STH47-1684A



Unit 1 Sovereign Business Park,  
Willis Way,  
Poole,  
Dorset,  
United Kingdom  
BH15 3TB  
www.zappautomation.com  
enquiries@zappautomation.com