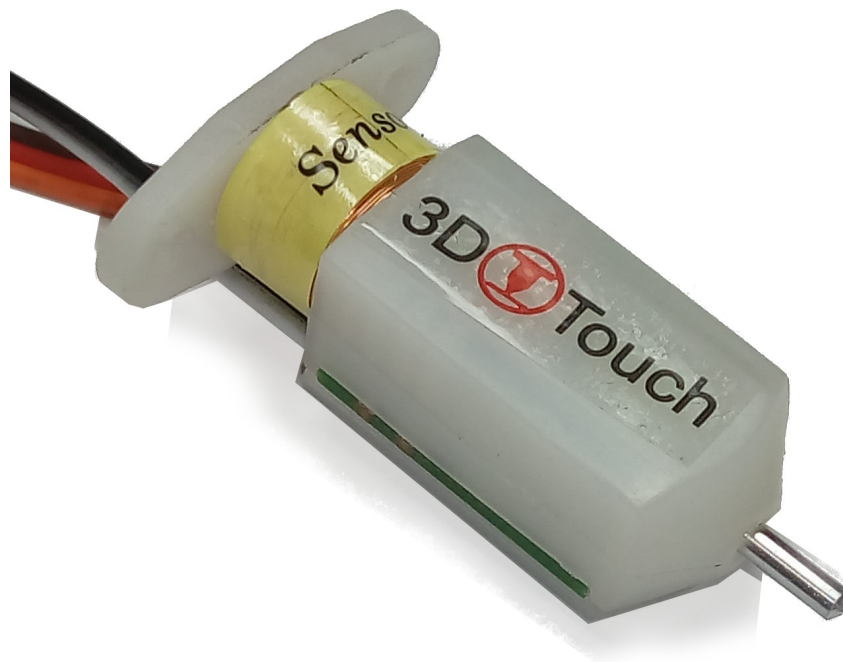


3D Touch Datasheet

Auto bed-leveling sensor



Author Bart Meijer
Date 18th of Januari 2018
Document version 1.1



ReprapWorld.com

PRODUCT OVERVIEW

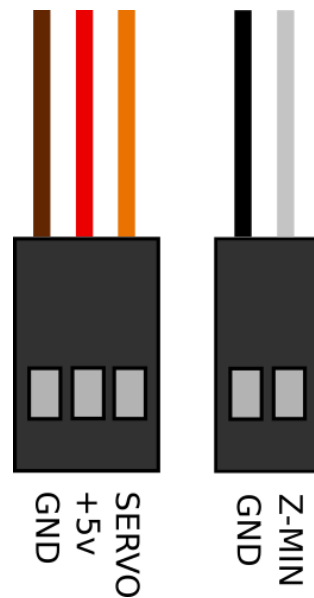
Great solution to easily implement auto bed-leveling! Comes with pre-crimped including spare connectors. Easy to connect to most electronics, with servo controlled pin that extends when doing the bed-leveling procedure. Requires a firmware that supports auto bed-leveling.

DOCUMENT HISTORY

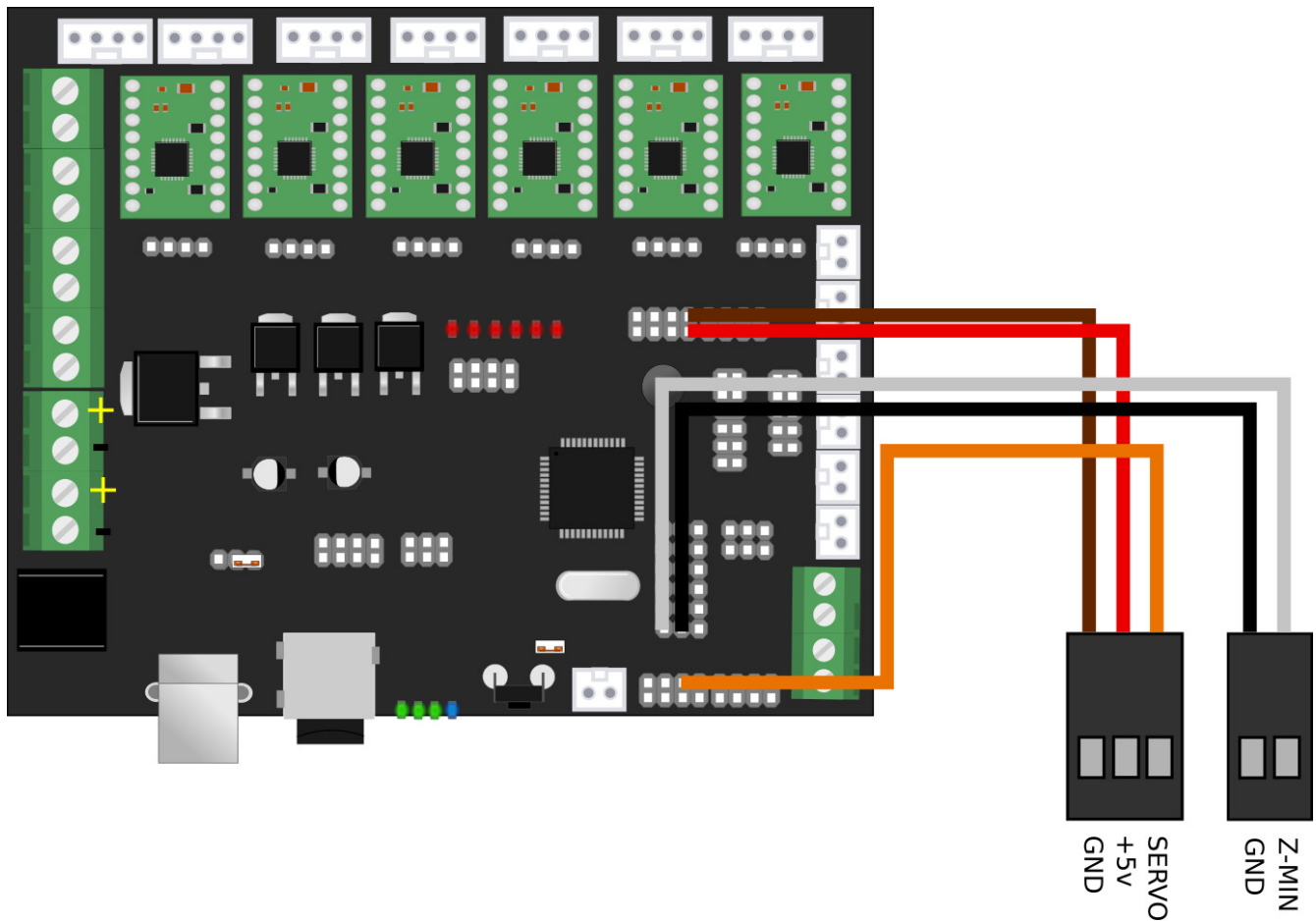
Version 1.0	Creation
Version 1.1	Overview text adjusted

TECHNICAL SPECIFICATION

Cable length	150mm
Operating Voltage	5V
Weight	10g
Max current	300mA
Current	15mA



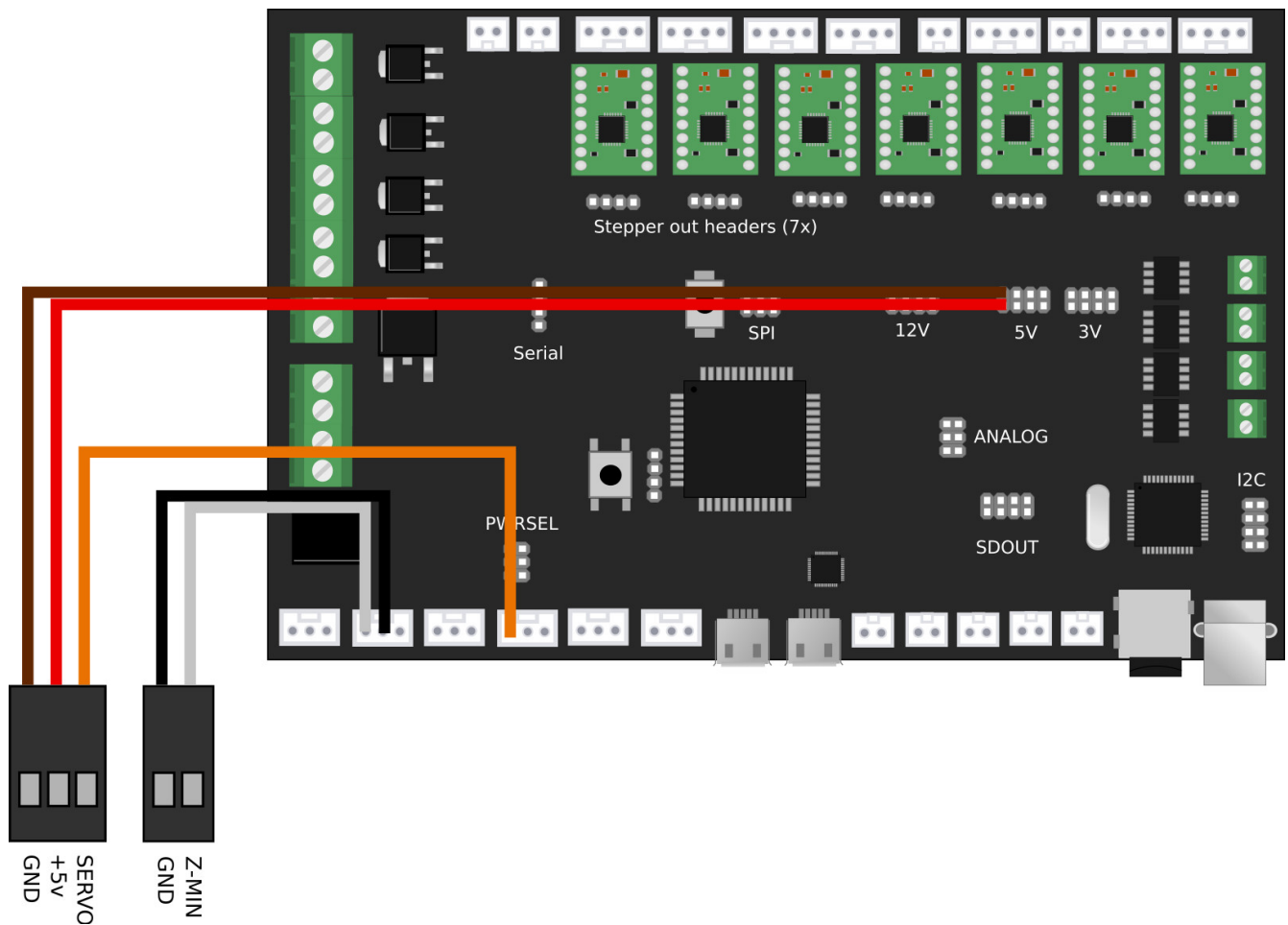
The 3D Touch sensor comes with two connectors. The servo pin should be connected to any digital I/O supporting PWM. Other wires should be straight forward.



Connecting to Megatronics requires you to remove the orange wire from the connector and connect it to pin 6 on the AUX3 header. For your firmware configuration in this setup use:

Servo: Pin 46

Z-: 19



Connecting to Ultratronics requires you to remove the orange wire from the connector and connect it to either Z- or Z+ signal pin. For your firmware configuration in this setup use:

Servo: Pin 12 (When connected to Y-), Pin 11 (When connected to Y+)

Z-: 29