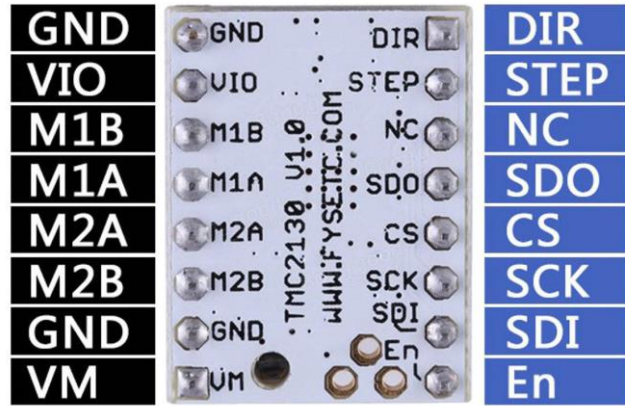
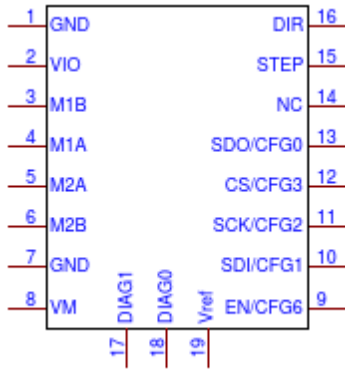


Pin



Standalone Operation (SPI_MODE=GND)

CFG6/En

GND -> Driver enabled

Vio -> Driver disabled

Open -> Driver enabled with ramp down from 100% to 34% after about 3s

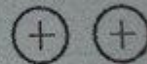
CFG2	CFG1	Steps	Interpolation	Chopper Mode
GND	GND	1	No	spreadCycle
GND	Vio	2	No	spreadCycle
GND	Open	2	Yes to 256	spreadCycle
Vio	GND	4	No	spreadCycle
Vio	Vio	16	No	spreadCycle
Vio	Open	4	Yes to 256	spreadCycle
Open	GND	16	Yes to 256	spreadCycle
Open	Vio	4	Yes to 256	stealthChop
Open	Open	16	Yes to 256	stealthChop

Released under the Creative Commons Attribution Share-Alike License
<http://creativecommons.org/licenses/by-sa/4.0/>

Designed by Stephan Waltersrott (Watterott electronic)
 Based on the Trinamic TMC2130-BOB

OSHW

Watterott



3

4

5