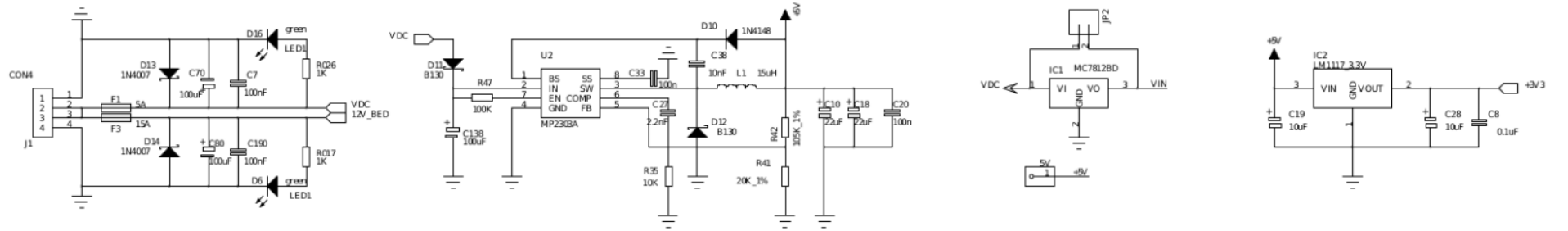
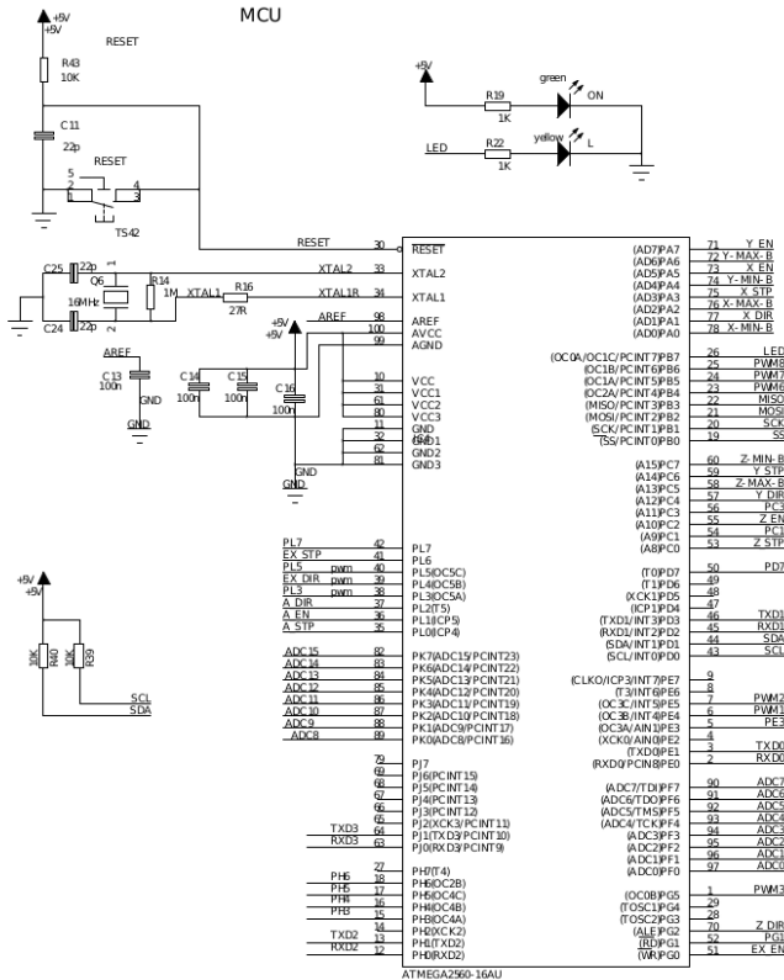


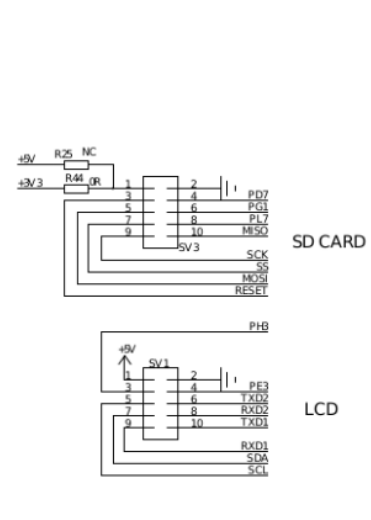
POWER



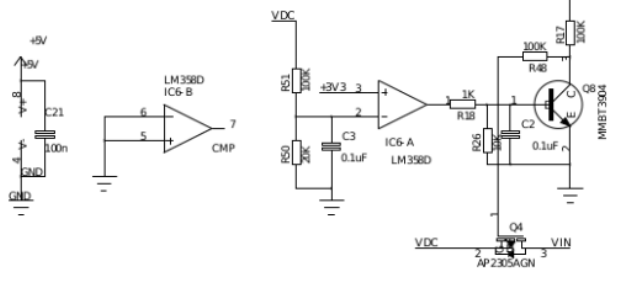
MCU



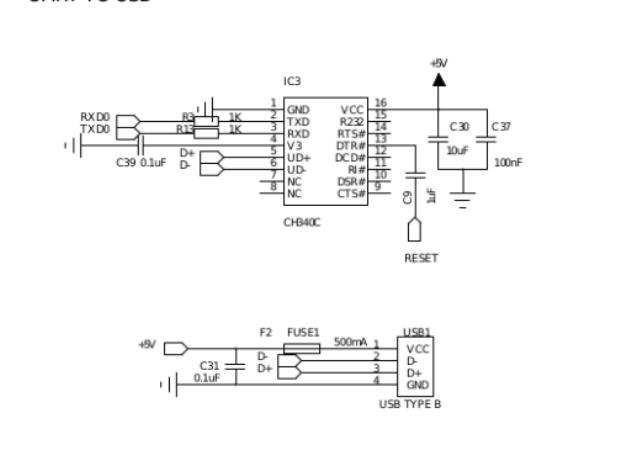
LCD & SD CARD



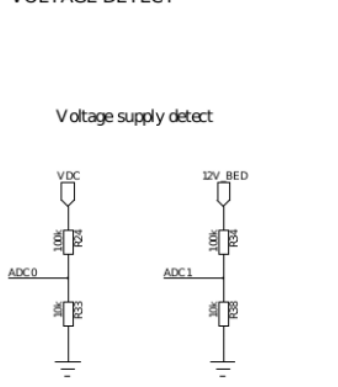
USB POWER



UART TO USB



VOLTAGE DETECT



GT2560 Rev A+

COMPANY: www.Geeetech.com

Drawn by John, Jan 2015

Base on Arduino mega2560 and Ultimaker

Open Hardware

Page: 1/2