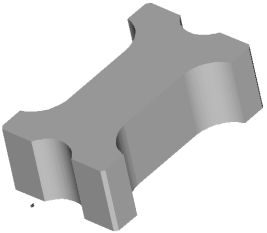
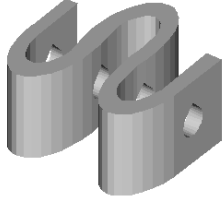
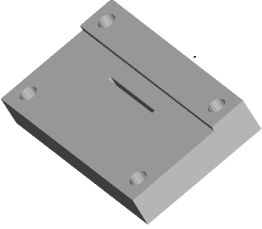

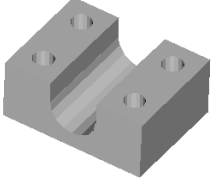
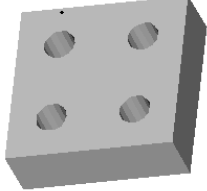
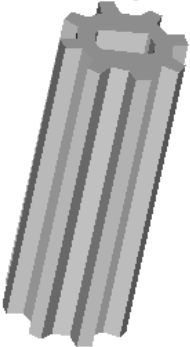
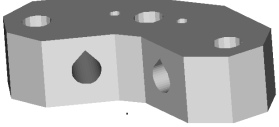

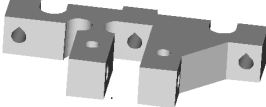
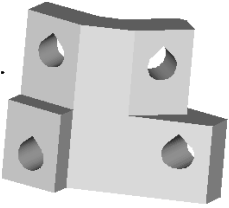
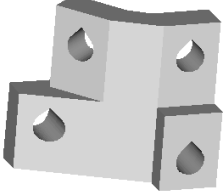

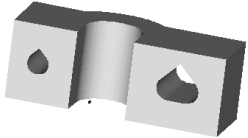
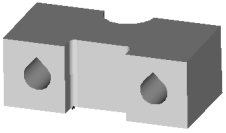
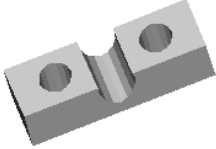
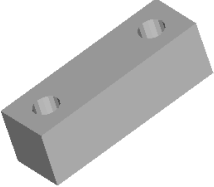
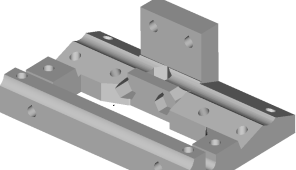
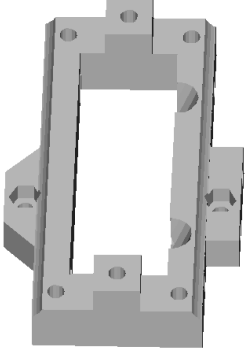
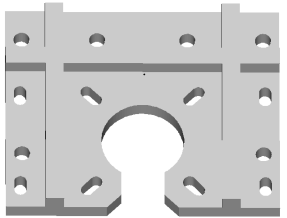
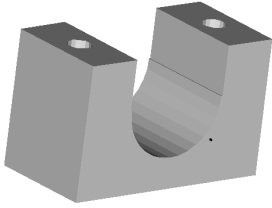

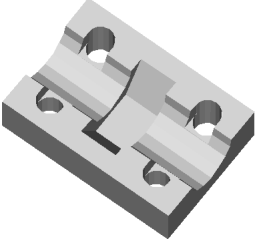
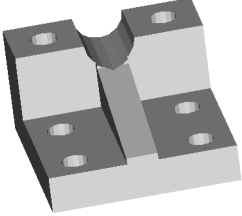
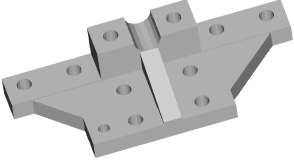
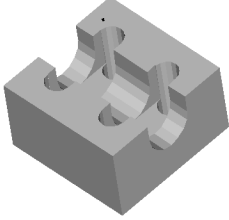
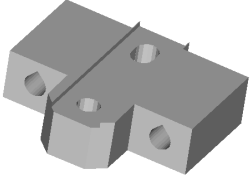
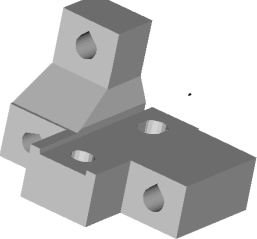
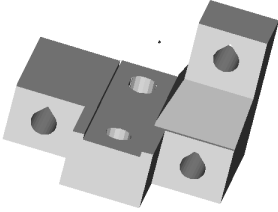
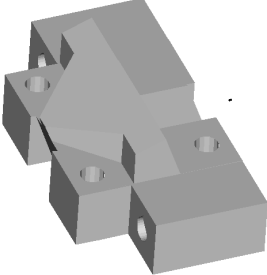
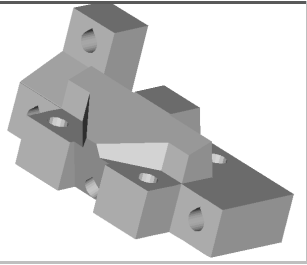
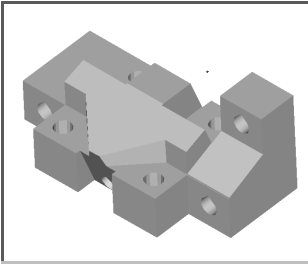
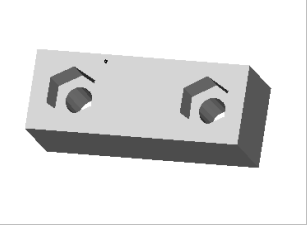
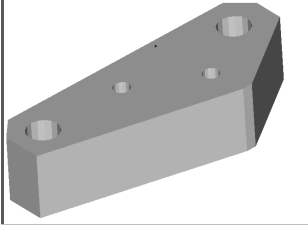
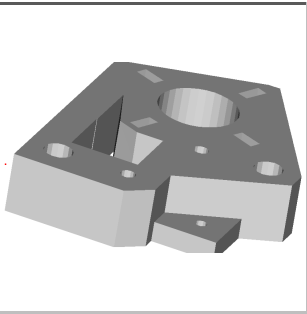
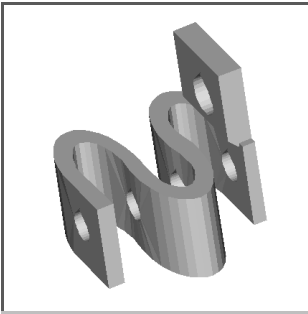
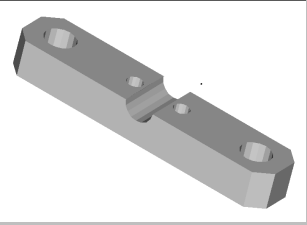
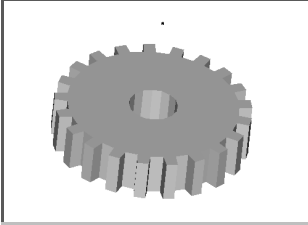
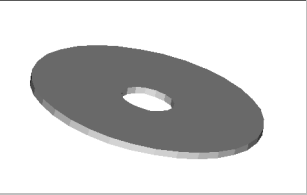
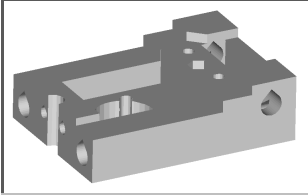
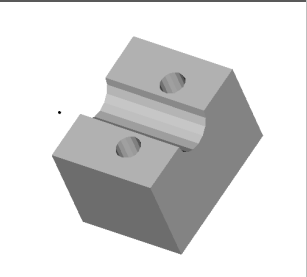
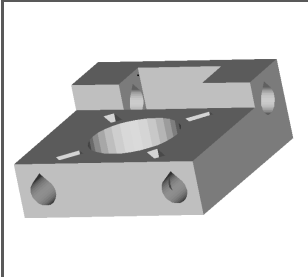
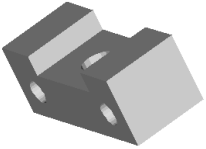
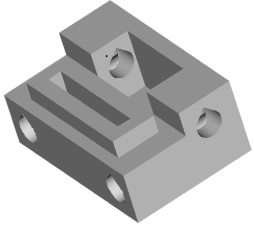
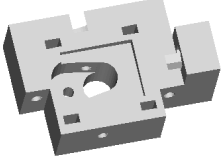


name	pic	required	name	pic	required
bed-height-spacer-31mm		1	bed-spring		4
belt-split-jig-bracket-universal		2	belt-width-adjuster		1
circuit-board-bracket-m3		4	circuit-board-spacer-m4		2
drive-pulley		3	frame-vertex		6
set-screw-drive-pulley		3	x-180-z-bearing-plate		2

x-360-z-bearing-plate		2	x-360-z-bearing-plate-mirror		2
x-axis-side-plate-nut-jig		2	x-bar-clamp-m3		6
x-bar-clamp-m4		4	x-cable-clamp		1
x-carriage-belt-clamp		2	x-carriage-lower		1
x-carriage-upper		1	x-end-bracket		2

xlr-bracket		1	x-motor-bracket-spacer		2
x-vert-drive-nut-trap		4	x-vert-drive-side-plate-180-end		2
x-vert-drive-side-plate-360-end		2	y-bar-clamp		10
y-bearing-180-inner		2	y-bearing-180-outer-left		1
y-bearing-180-outer-right		1	y-bearing-360-inner		2

y-bearing-360-outer-left		1	y-bearing-360-outer-right		1
y-belt-clamp		2	y-idler-bracket		1
y-motor-bracket		1	z-axis-opto-spring		1
z-bar-top-clamp		4	z-driven-pulley		2
z-drive-pulley-rim		4	z-lead-screw-base		2
z-lead-screw-base-bar-clamp		2	z-motor-bracket		1

z-opto-bracket		1	z-tensioner		1
pinch-wheel- bracket- NEMA17_604- bearing		1			