

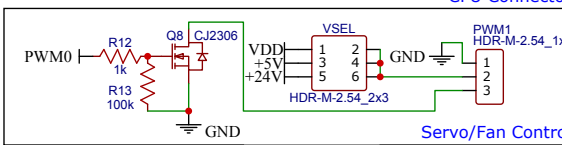
These pins are 5V tolerant for input Stepper Sense, Heat & Aux Ctrl./Sense SPI1

SPI Device 1/2 w/ Interrupt

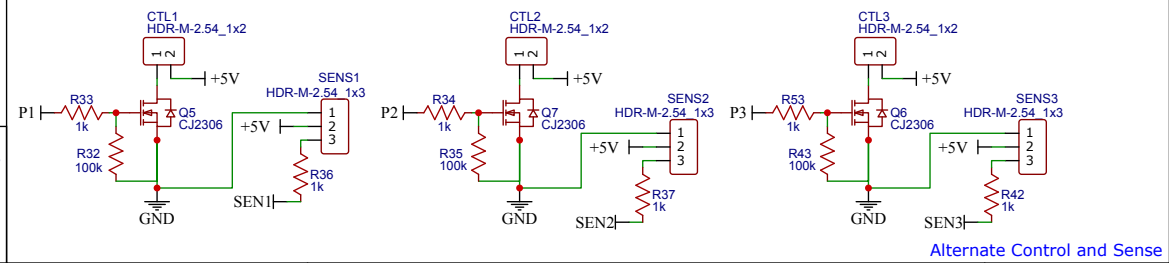
SPI Device 2

I2C Device w/ Interrupt

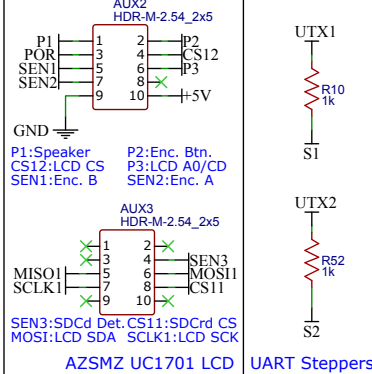
Endstops / Runout Sensors



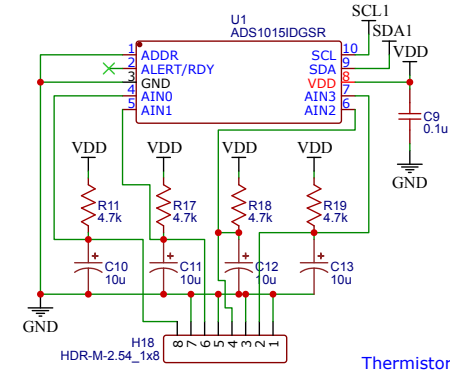
Servo/Fan Control



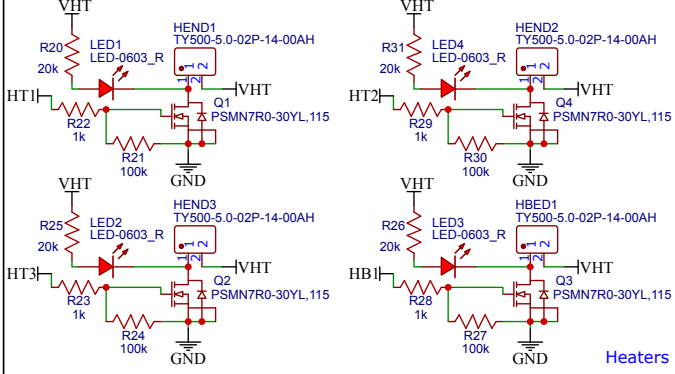
Alternate Control and Sense



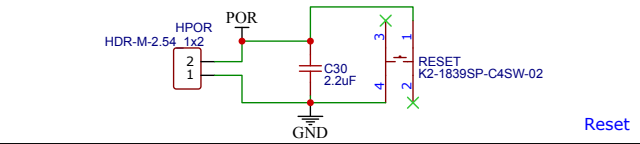
AUX2: Speaker, Enc. Btm. LCD A0/CD, Enc. B. AUX3: SD Cd Det, CS11: SD Cd, CS: LCD SDA, SCLK1: LCD SCK. S1: UTX1, S2: UTX2.



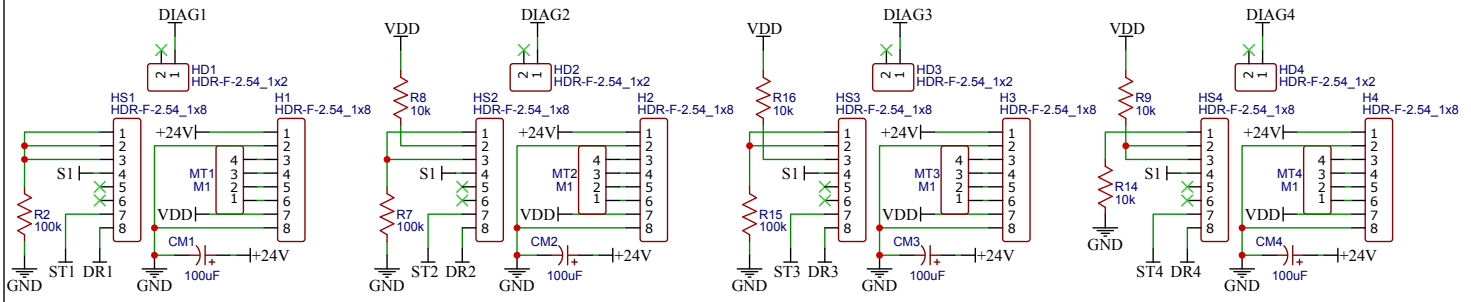
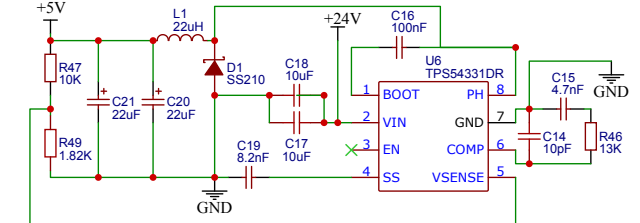
Thermistors



Heaters

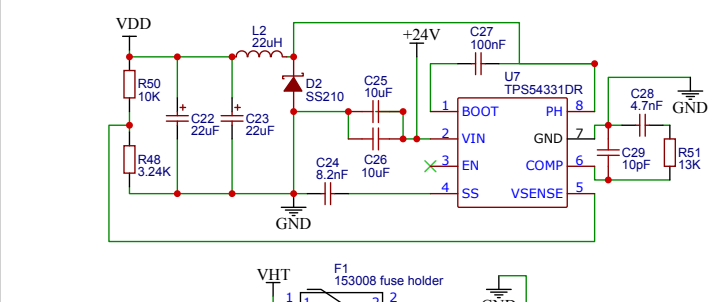


Reset

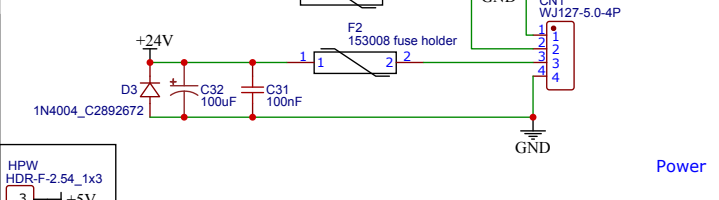


Stepper Drivers

Revision history from V0.1: - AUX2 pin 2 and pin 4 are swapped - TRGx pin 3 on all headers had 1k resistor removed between pin an DIAGx gpio - HSx pin 1 on all headers changed from held high to held low - HSx pin 6 on all headers were wired in CLK net, that is removed - Add J1 jumper - option to provide USB power to external device - TRGx pin 3 on all headers have 10k pullup resistor to Vdd added for DIAGx gpio



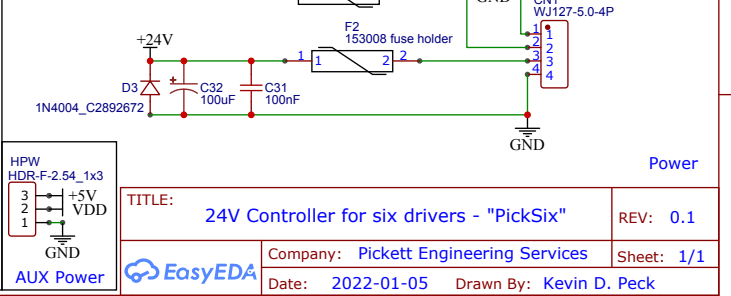
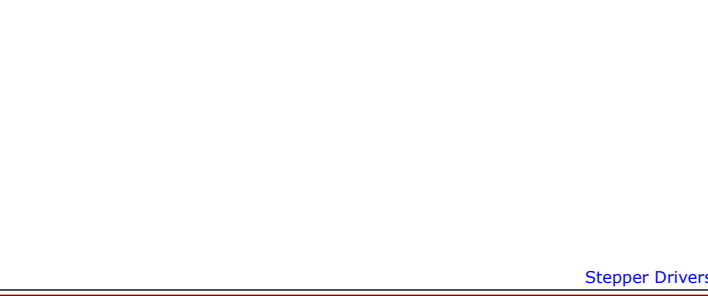
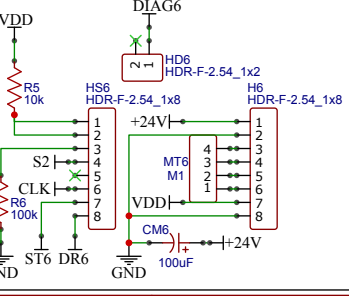
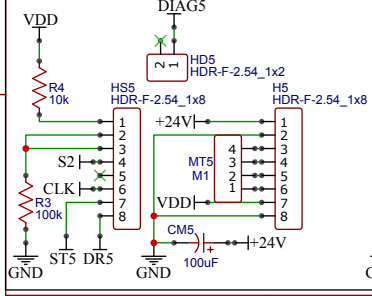
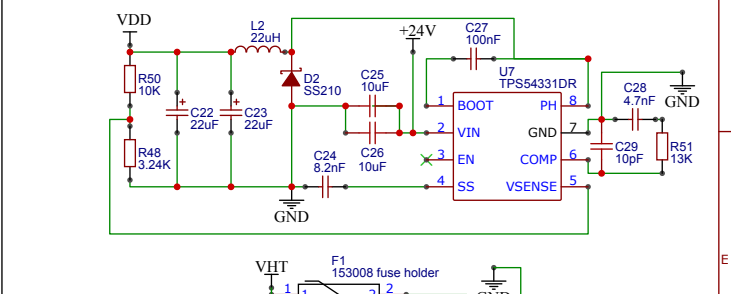
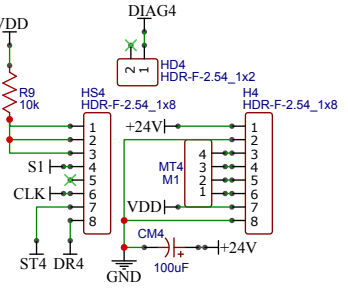
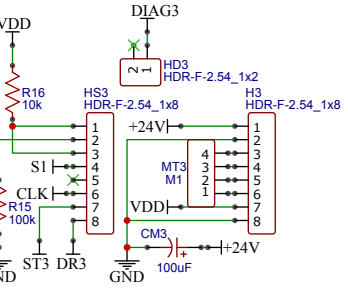
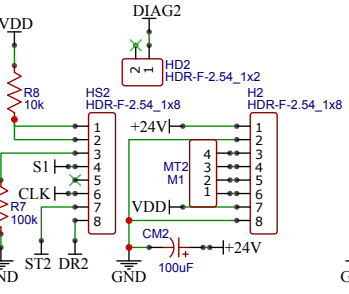
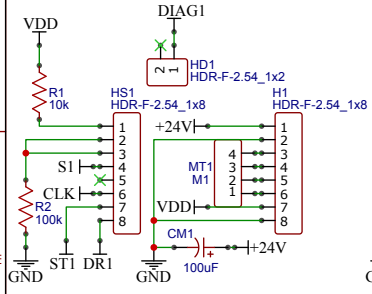
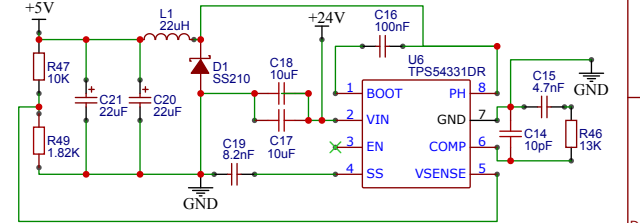
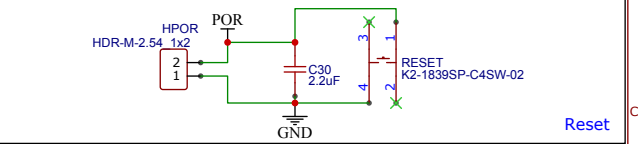
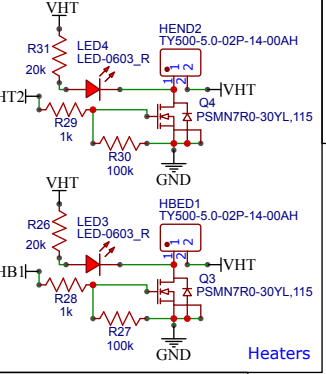
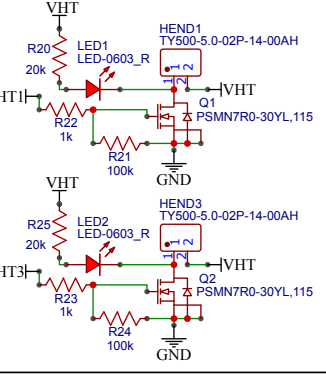
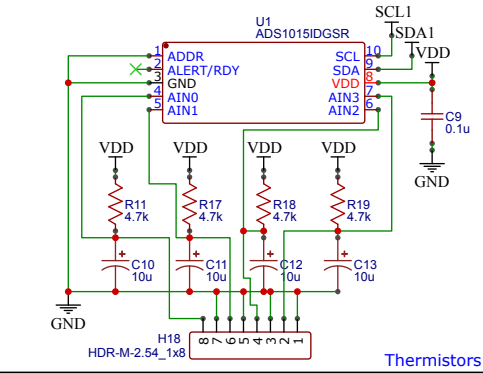
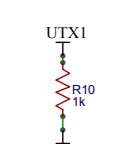
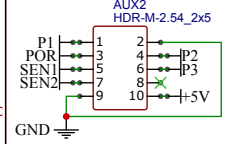
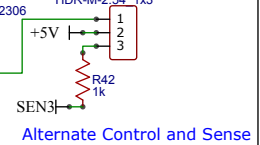
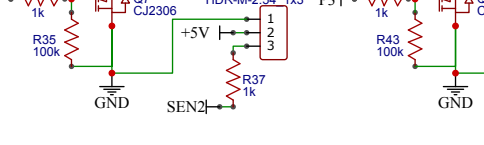
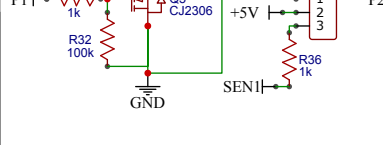
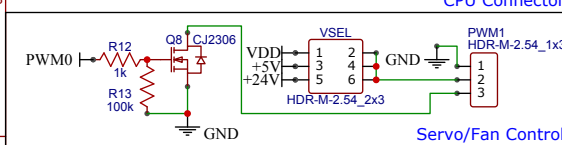
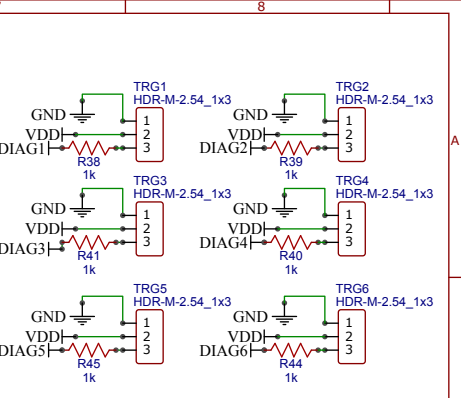
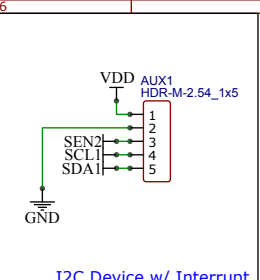
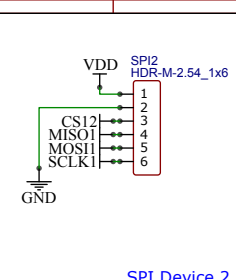
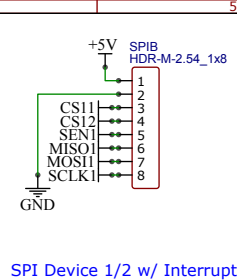
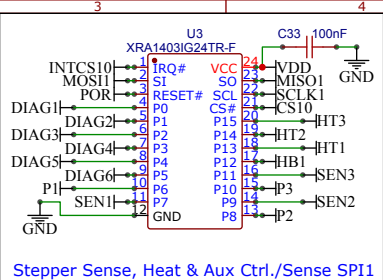
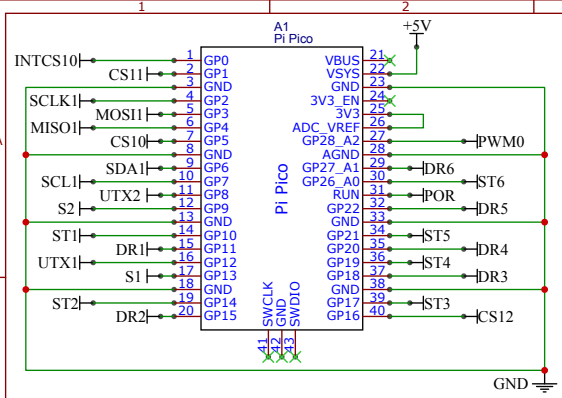
Power



AUX Power

Table with 4 columns: TITLE (24V Controller for six drivers - "PickSix"), REV (0.2), Company (Pickett Engineering Services), Sheet (1/1), Date (2022-01-05), and Drawn By (Kevin D. Peck).





TITLE: 24V Controller for six drivers - "PickSix"	REV: 0.1
Company: Pickett Engineering Services	Sheet: 1/1
Date: 2022-01-05	Drawn By: Kevin D. Peck

