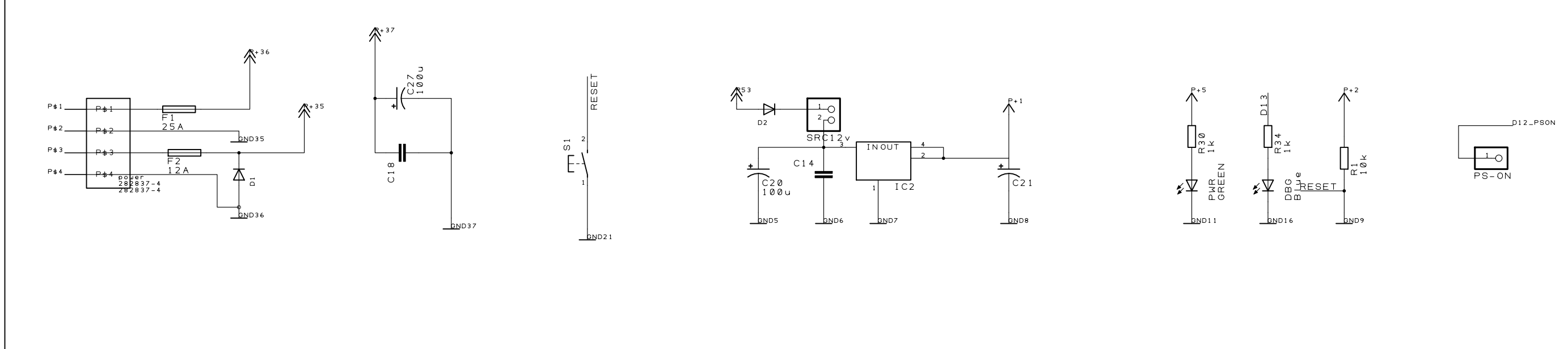
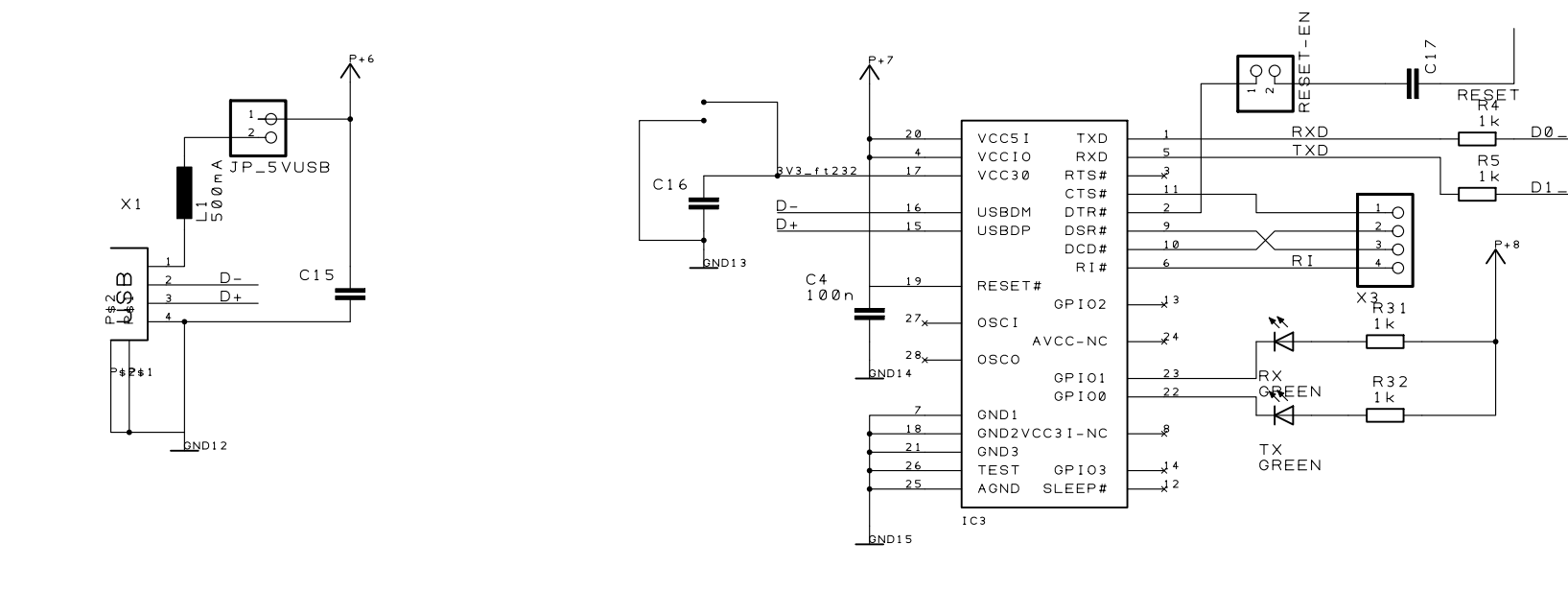


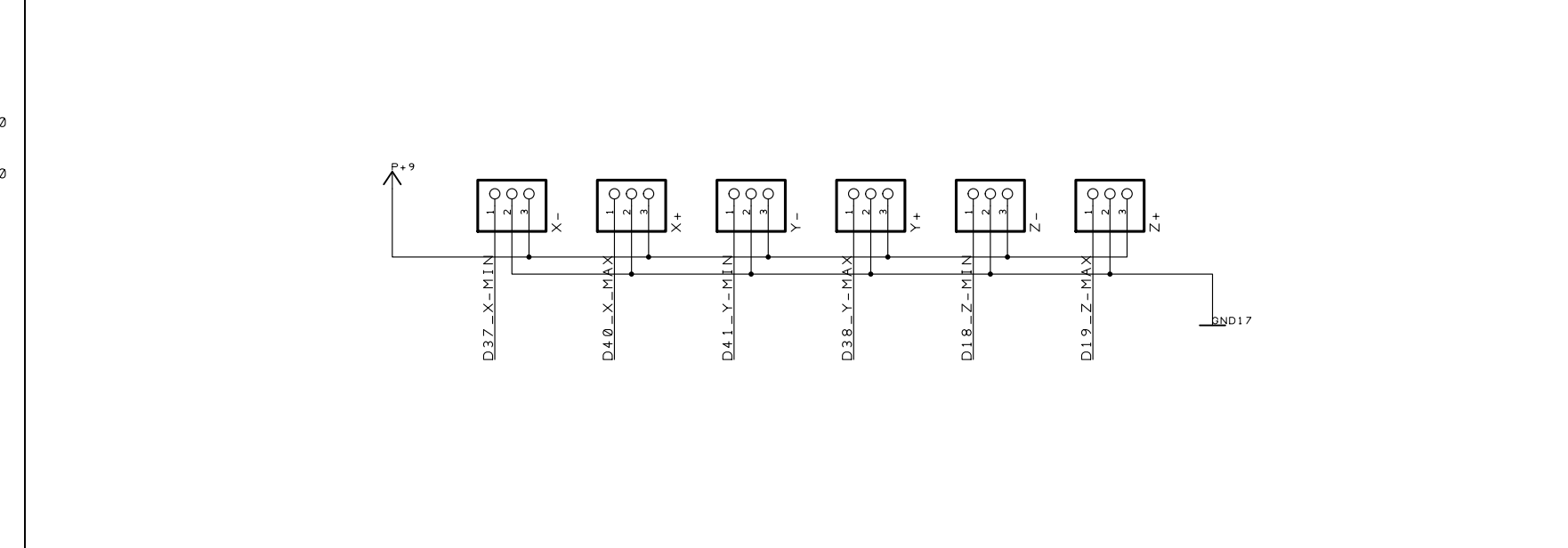
# Power



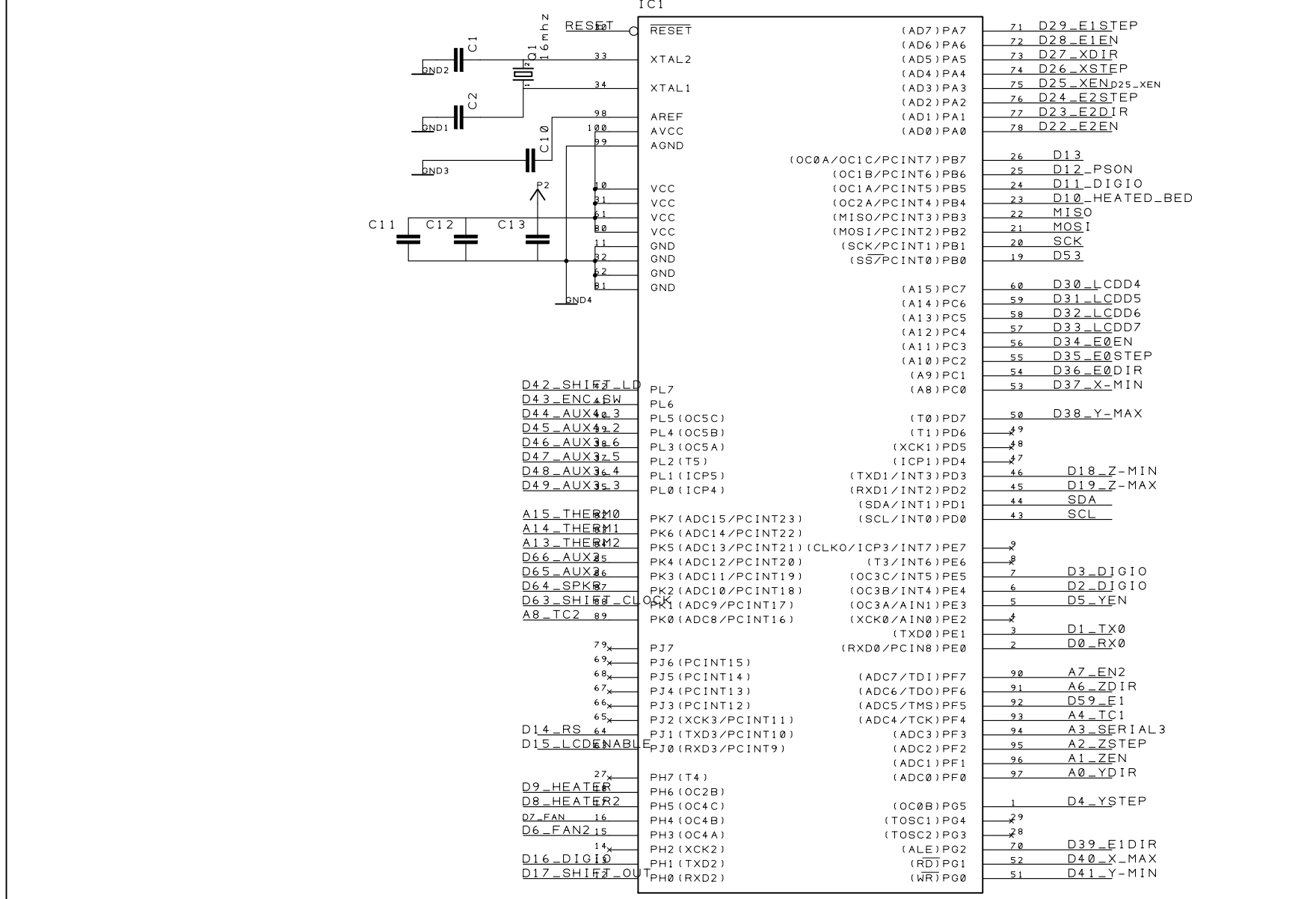
# Communication



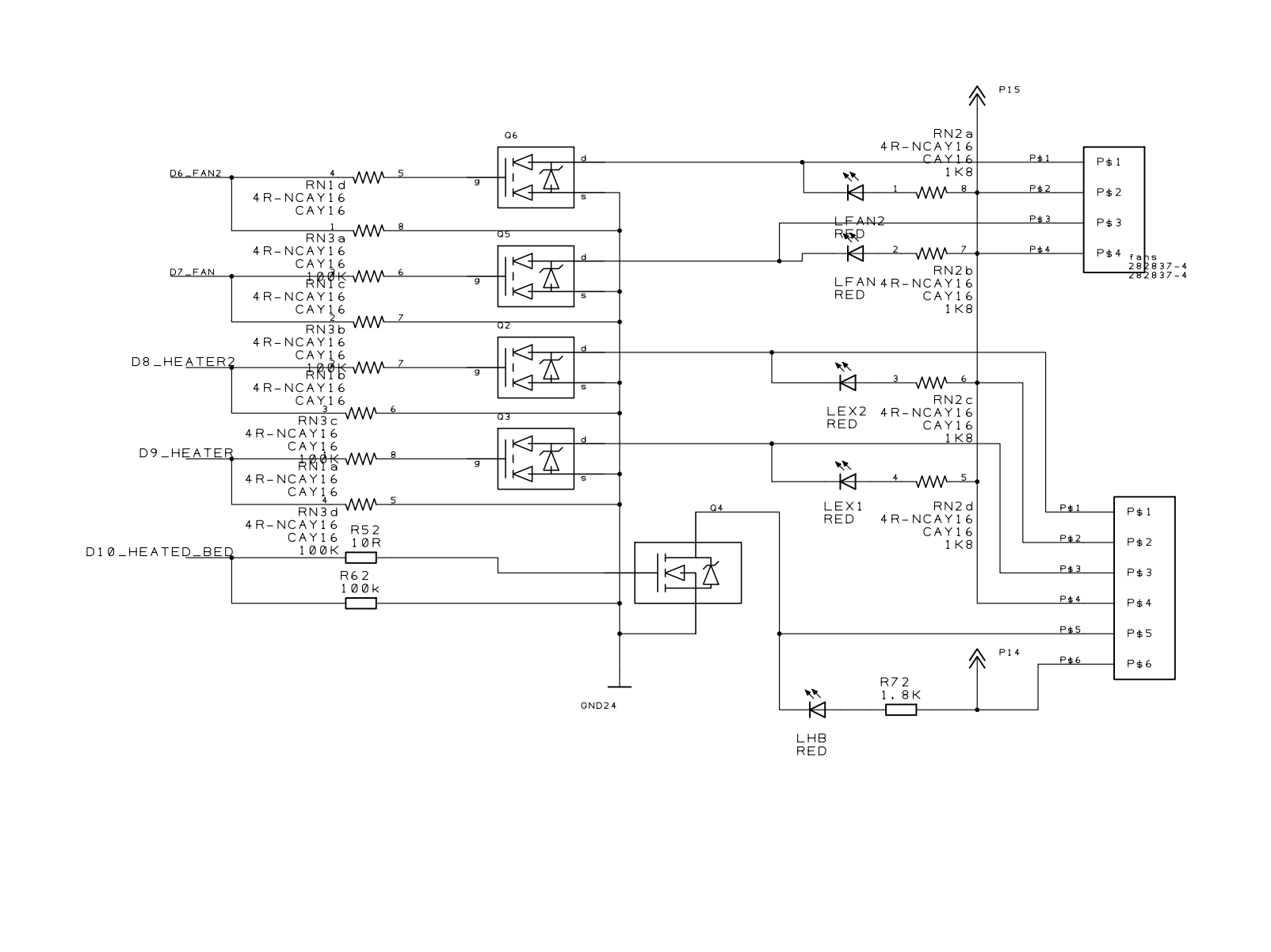
# End stops



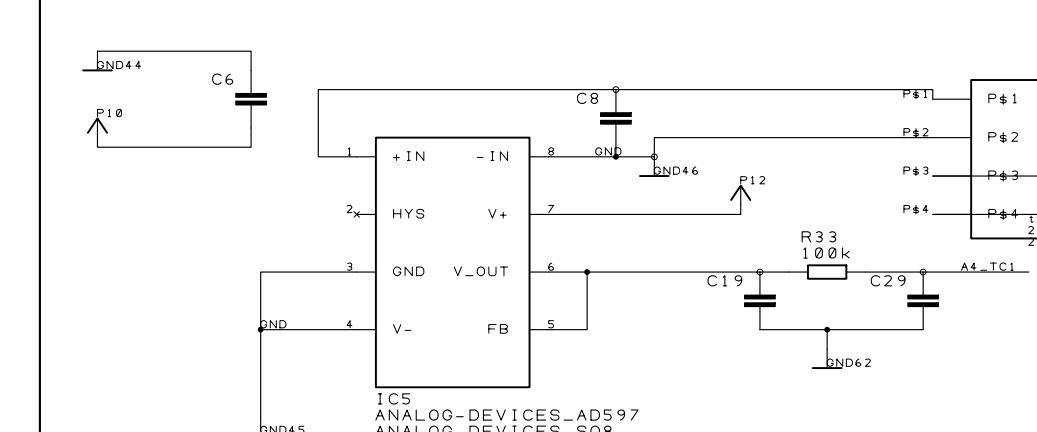
# Atmega



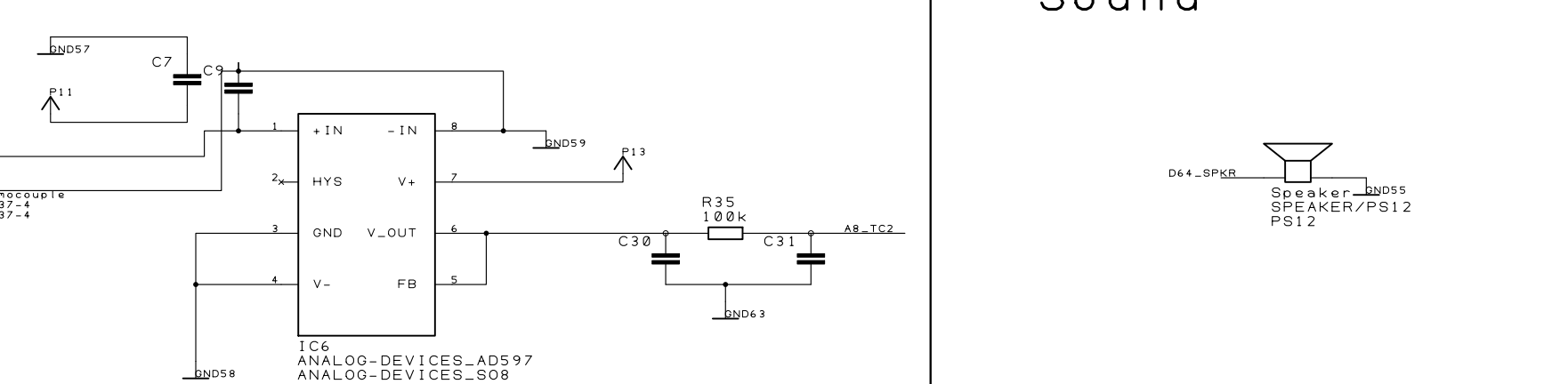
# MOSFET's



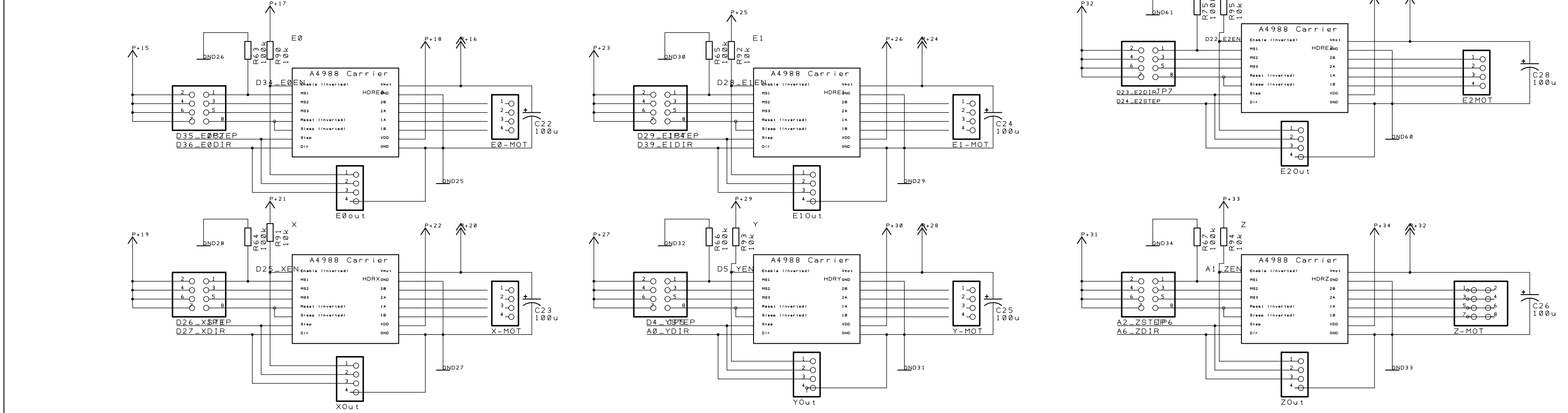
# Thermocouple



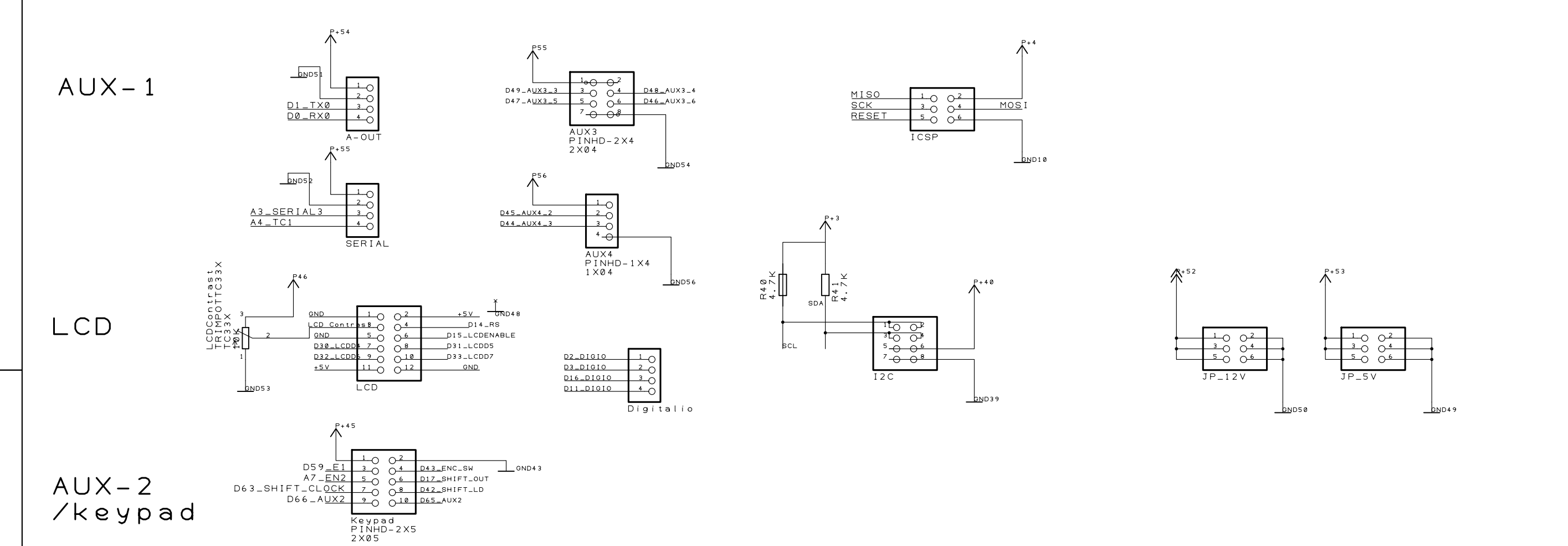
# Sound



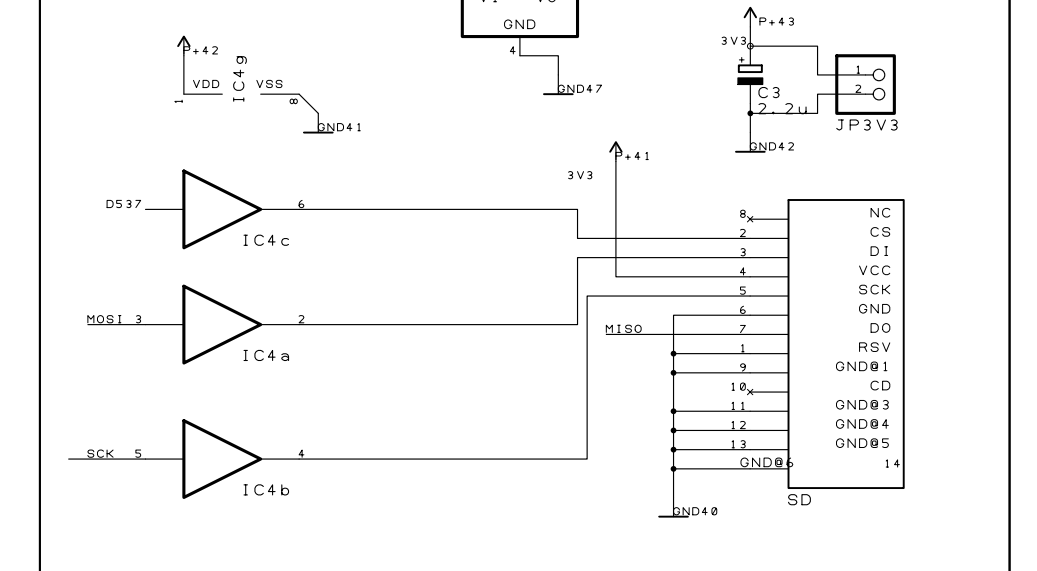
# Stepper slots



# AUX



# SD



# Thermistors

