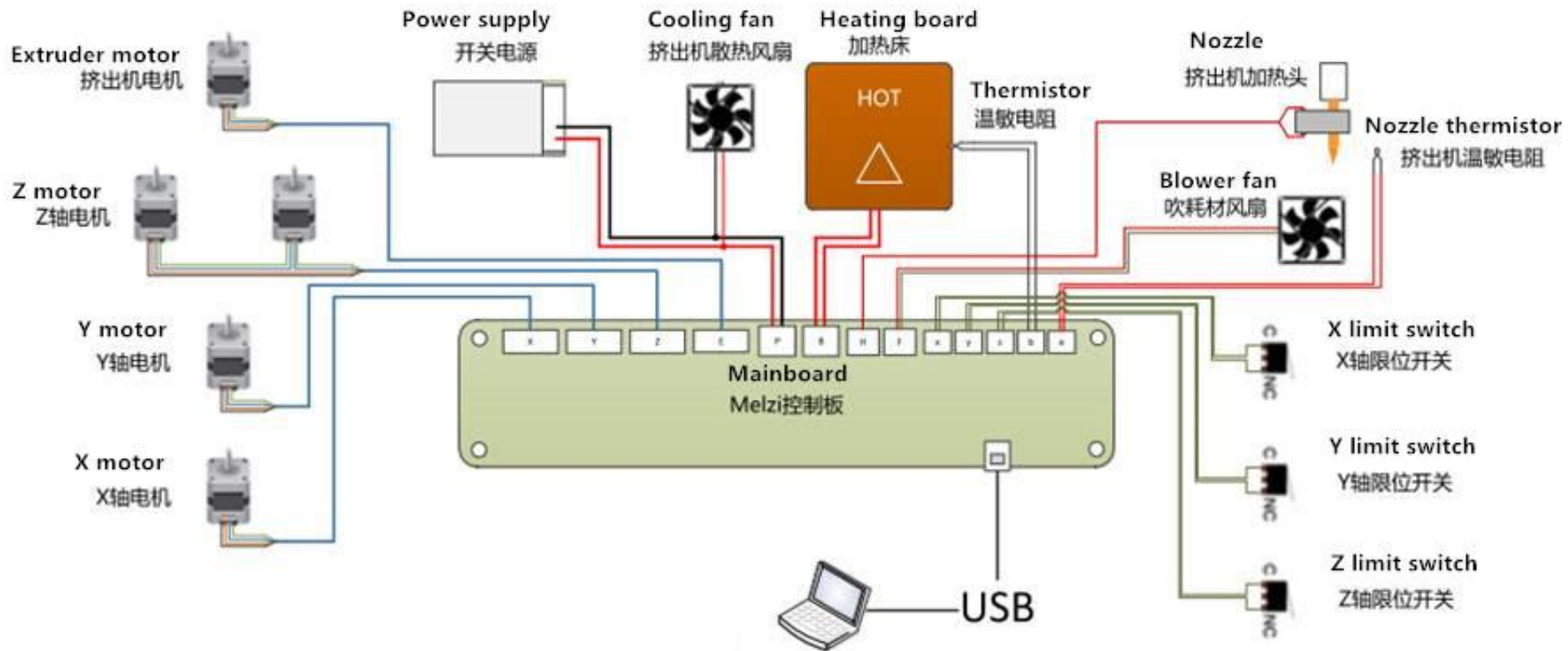


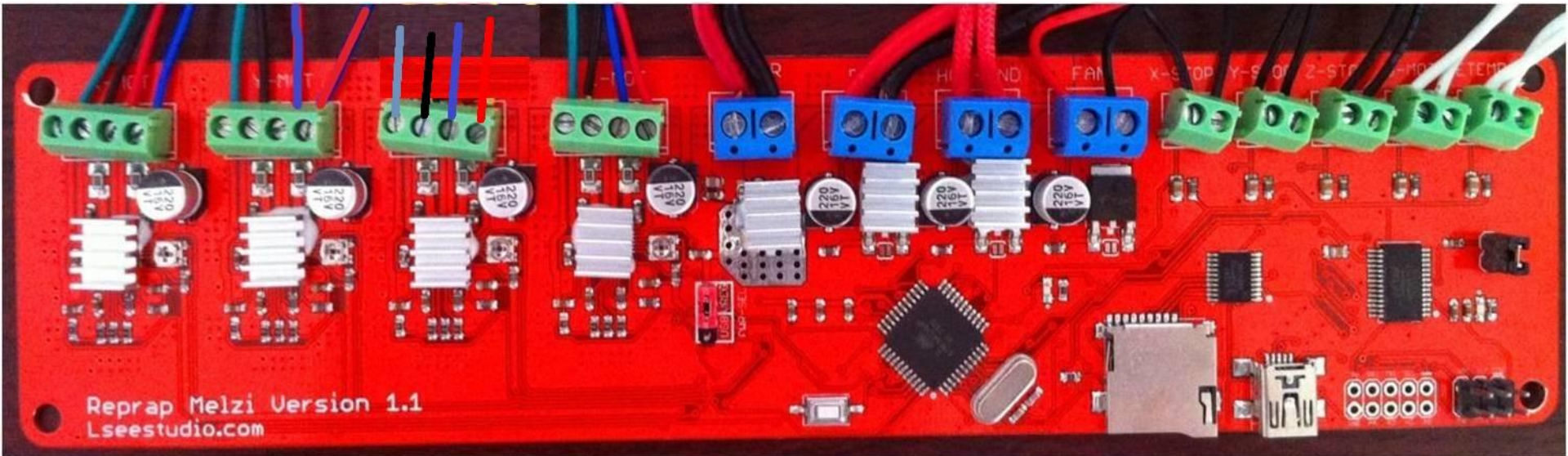
# Mainboard connection



## Notice:

1. Pay attention to the Plus-n-Minus of Power supply and 2 fans.
2. Pls don't put the mainboard on the table directly.
3. After done, ple check if there is any loose.
4. After power on, the cooling fan will work instantly, but there is a switch for blower fan.

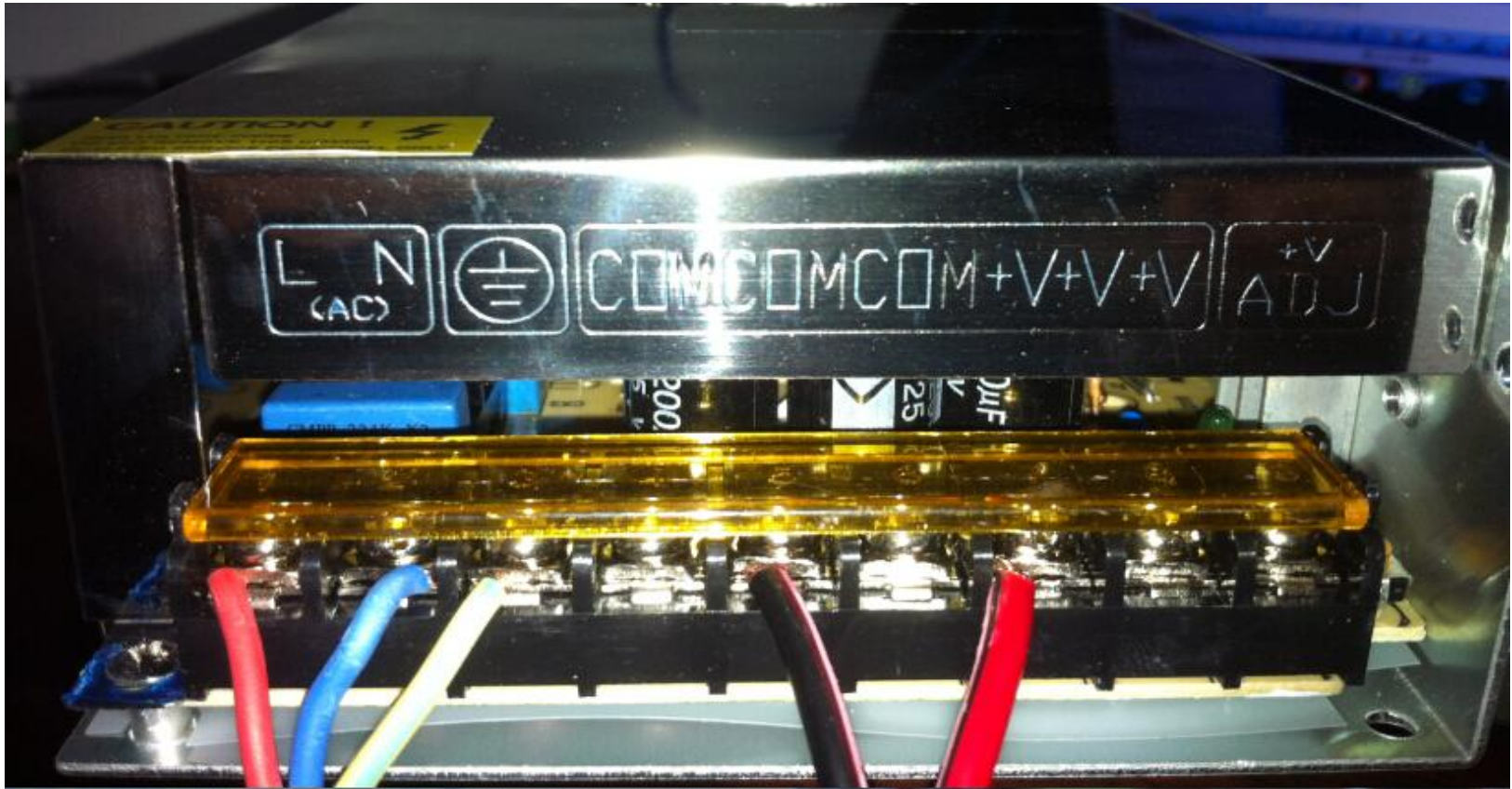
- 1
- 2
- 3
- 4
- 5
- 6
- 7
- 8
- 9
- 10
- 11
- 12
- 13



Notes: From left to right

- |   |  |                                   |
|---|--|-----------------------------------|
| 1-X motor ( green 、 black、 red 、 blue ) ; | 2-Y motor(green 、 black、 blue 、 red) ;           |                                   |
| 3-Z motor(green 、 black、 blue 、 red) ;    | 4- extruder motor ( green、 black , blue ,red ) ; |                                   |
| 5- power supply (red, black) ;            | 6-heating board (red, black)                     |                                   |
| 7-heating tube (red, red) ;               | 8-fan (red、 black) ;                             | 9-X limit switch (black, black) ; |
| 10-Y limit switch (black, black) ) ;      | 11-Z limit switch (black, black) ;               | 12-thermistor (white、 white) ;    |
| 13-thermistor (white、 white)              |  |                                   |

# Power supply



**220V input:**

**L: Firewire**

**N: Zero curve**

**NL:Ground wire**

**+V :12V +**

**COM : 12V -**

# Stepping motor setting

Rotate potentiometer on mainboard as shown to change the current size.

Anticlockwise: decrease

Clockwise: increase

potentiometer

