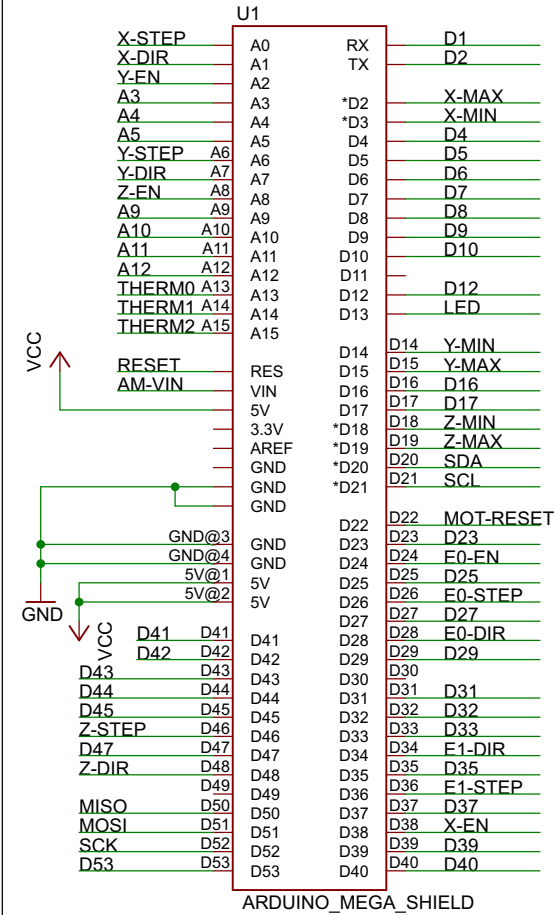


# MEGA Conn.



# RAMPS 1.3 (RepRap Arduino Mega Pololu Shield)

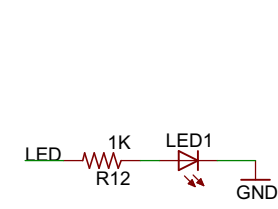
reprap.org/wiki/RAMPS

Copyright 2011 Johnny Russell

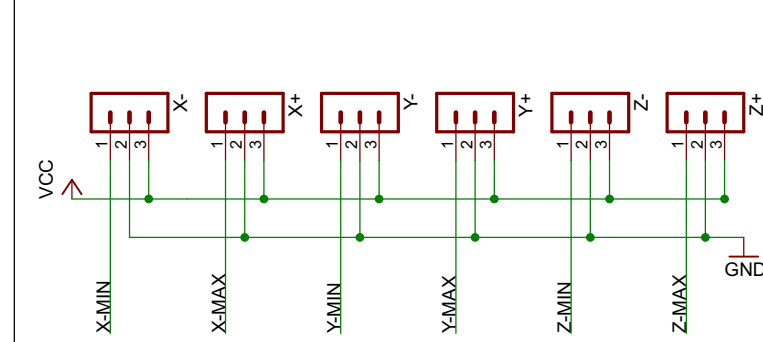
UltiMachine

GPL v3

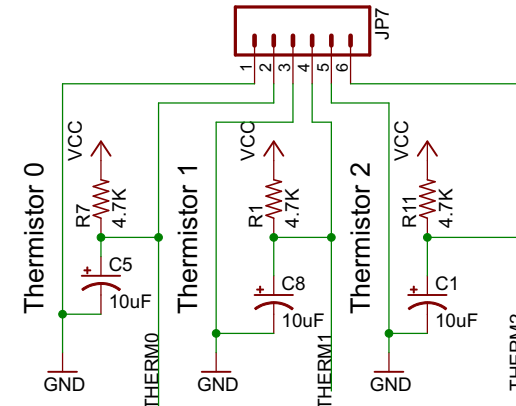
## LED



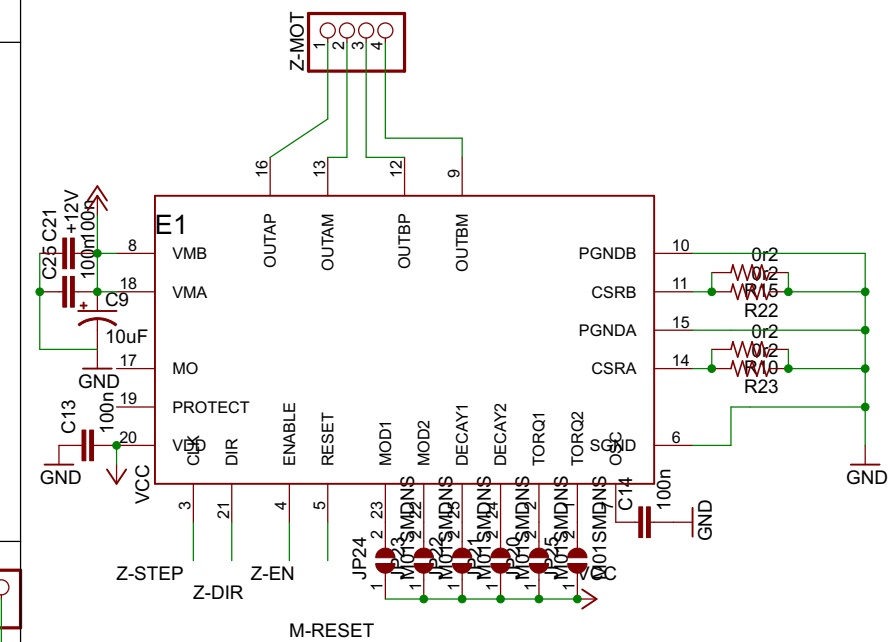
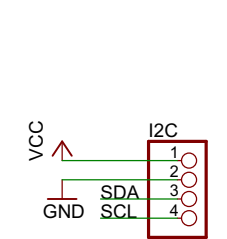
## Endstops



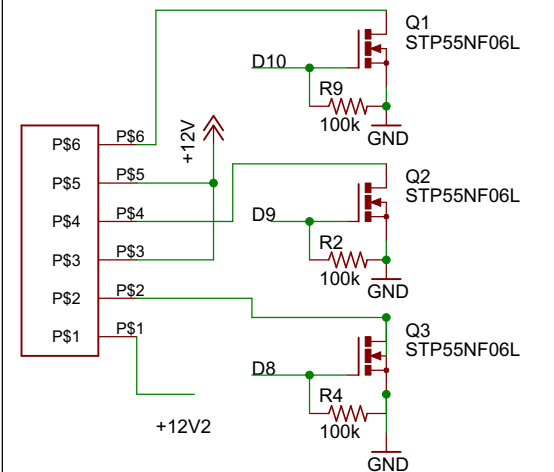
## Thermistors



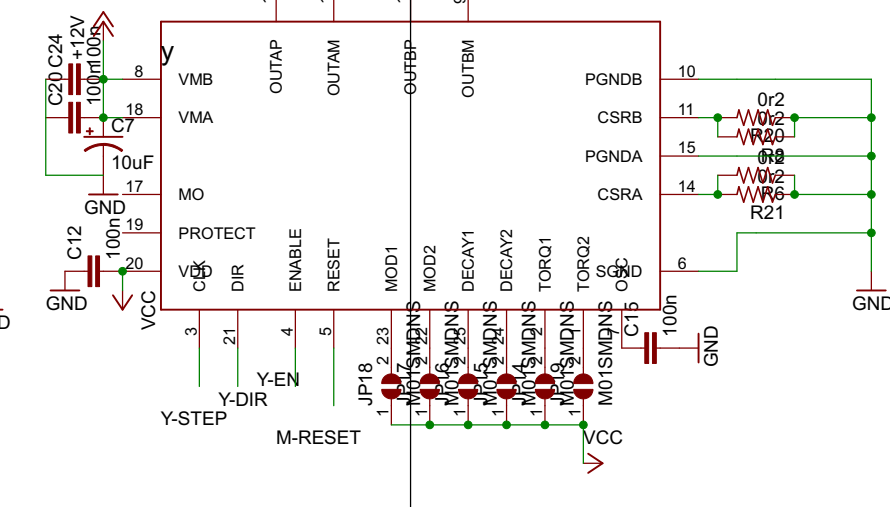
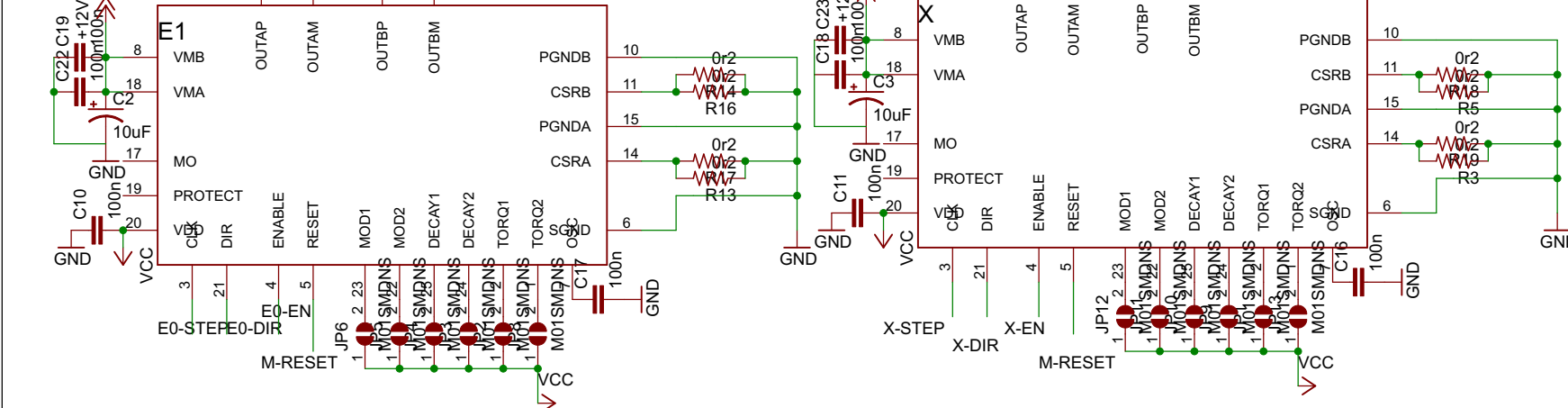
## I2C



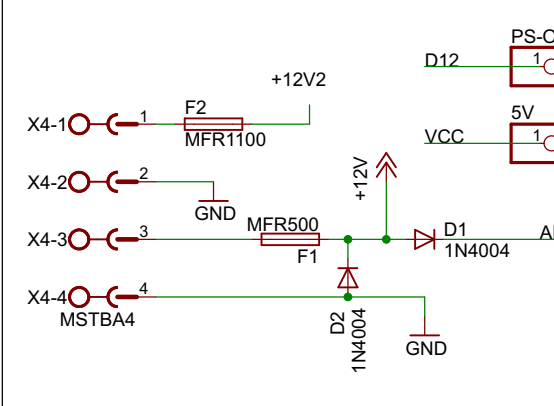
## Heaters & Fans



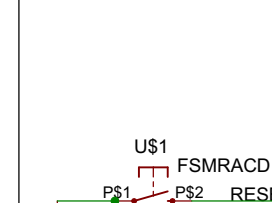
## Stepper Drivers



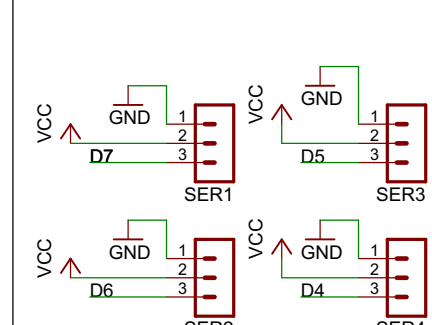
## Power



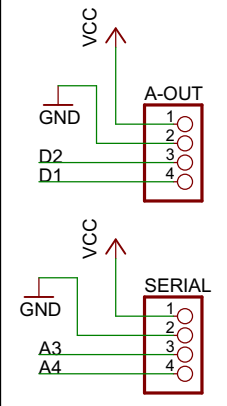
## Reset



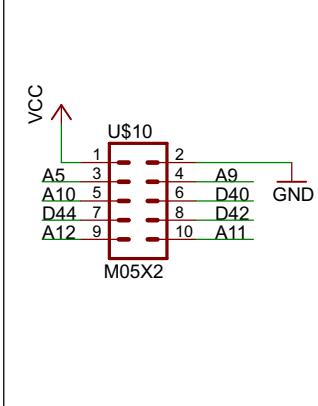
## Servos



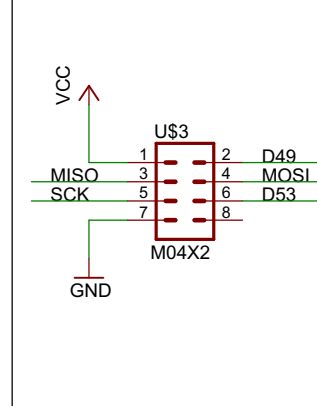
## AUX-1



## AUX-2



## AUX-3



## AUX-4

