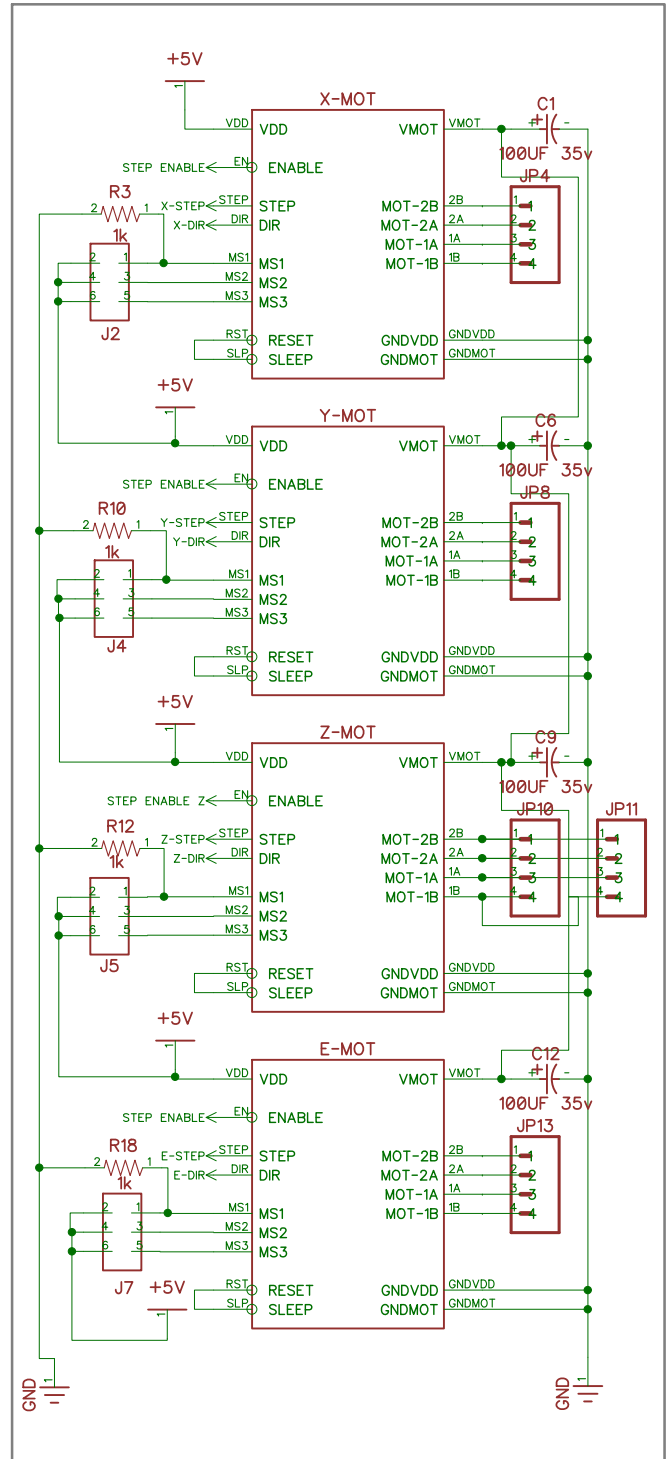
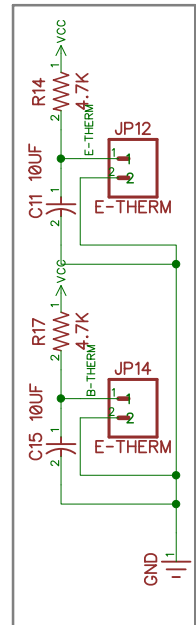
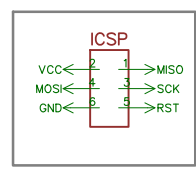
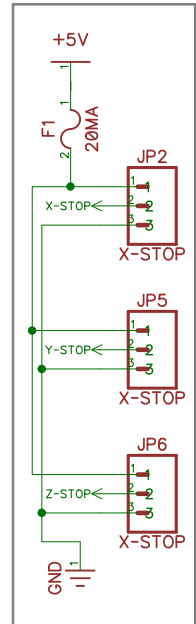
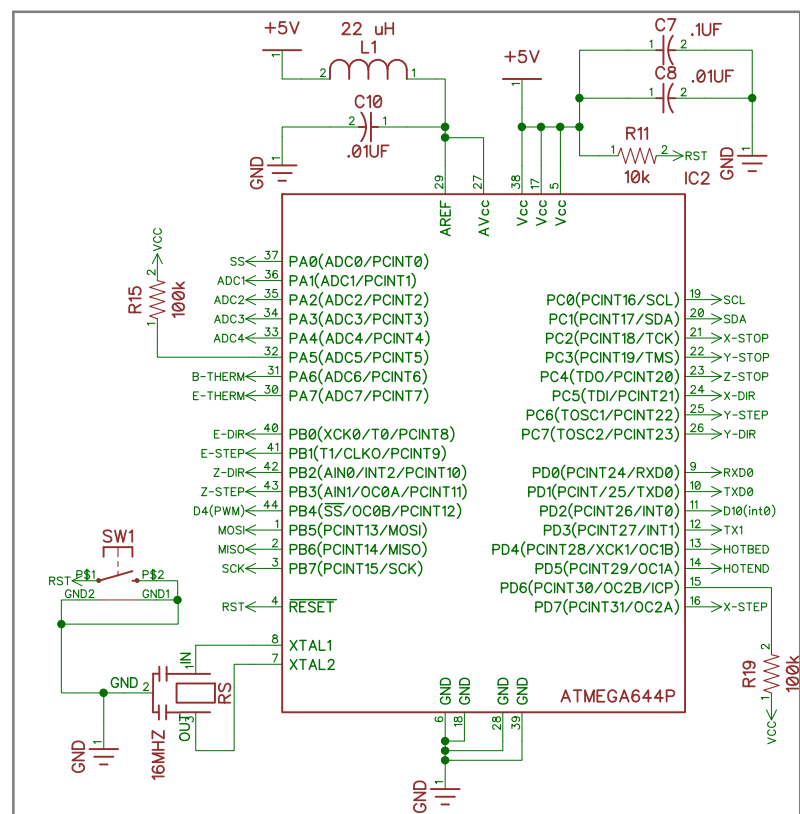
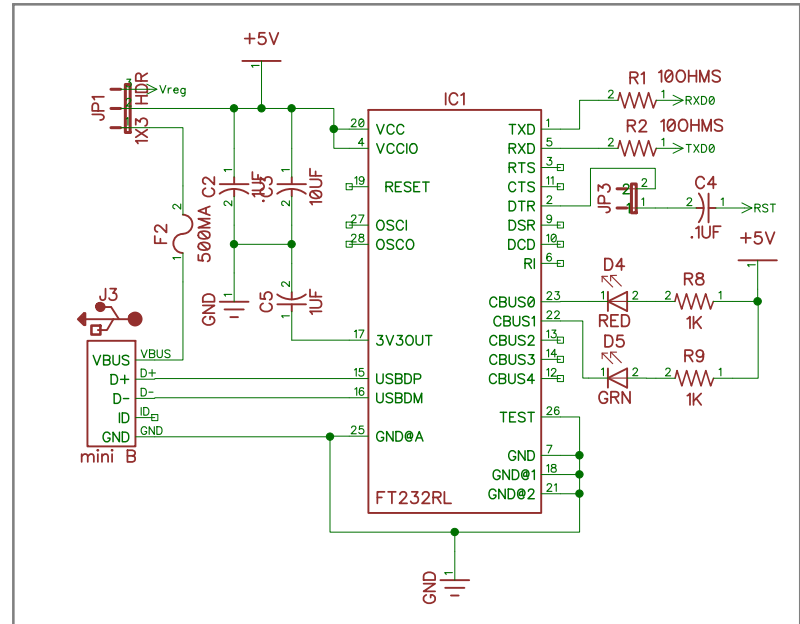
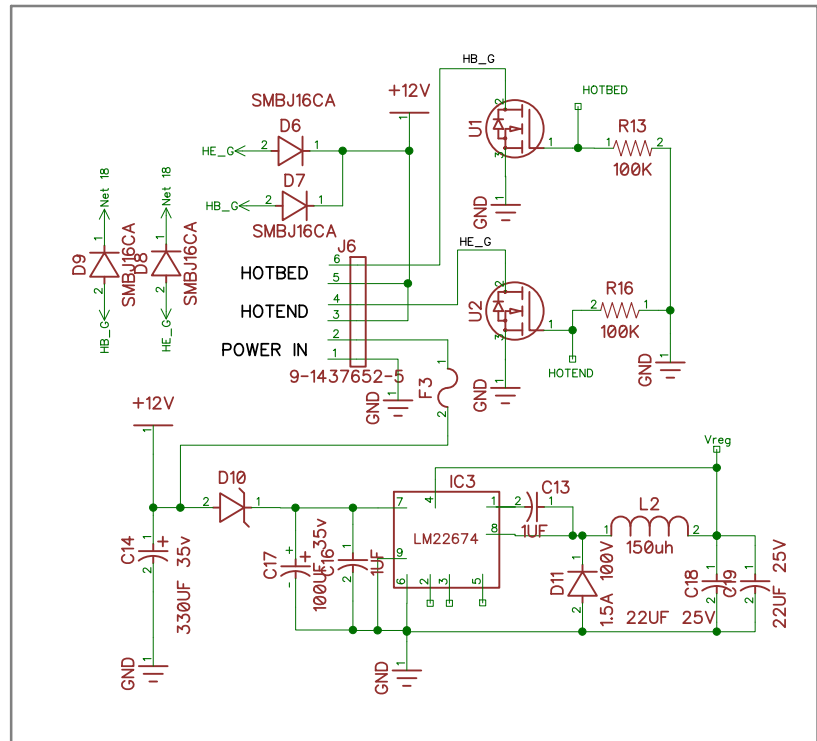
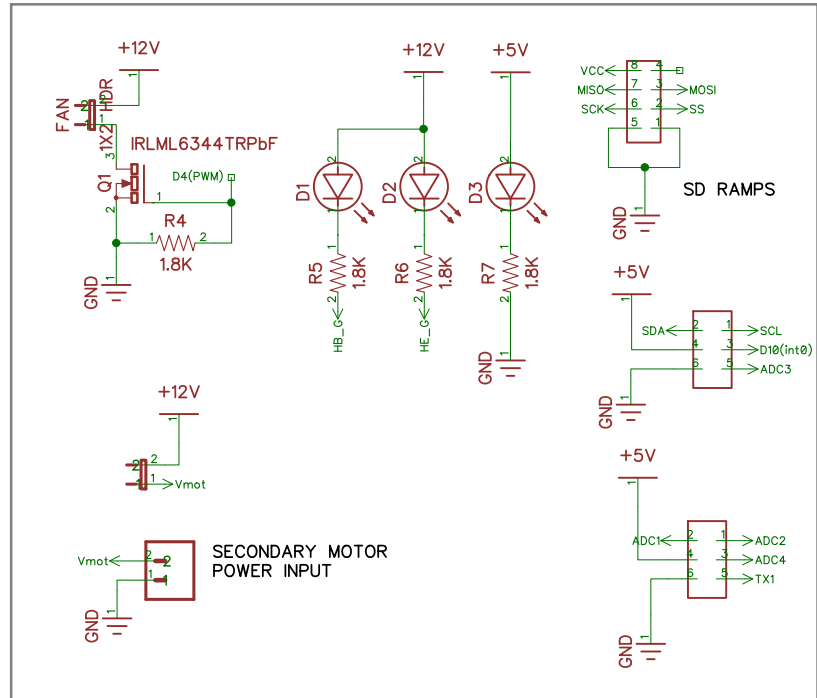


REVISIONS				
ZONE	REV	DESCRIPTION	DATE	APPROVED



Itemref	Quantity	Title/Name, designation, material, dimension etc	Article No./Reference
Designed by Roy C.	Checked by	Approved by - date - 00/00/00	File name Date 3/3/12 Scale 1:1
Panucatt Devices Azteeg X1 3DP Reprap Controller			AZTEEG X1 3DP controller
panucatt.com reprap.org/wiki/Azteeg_X1			Edition 0 Sheet 1/1