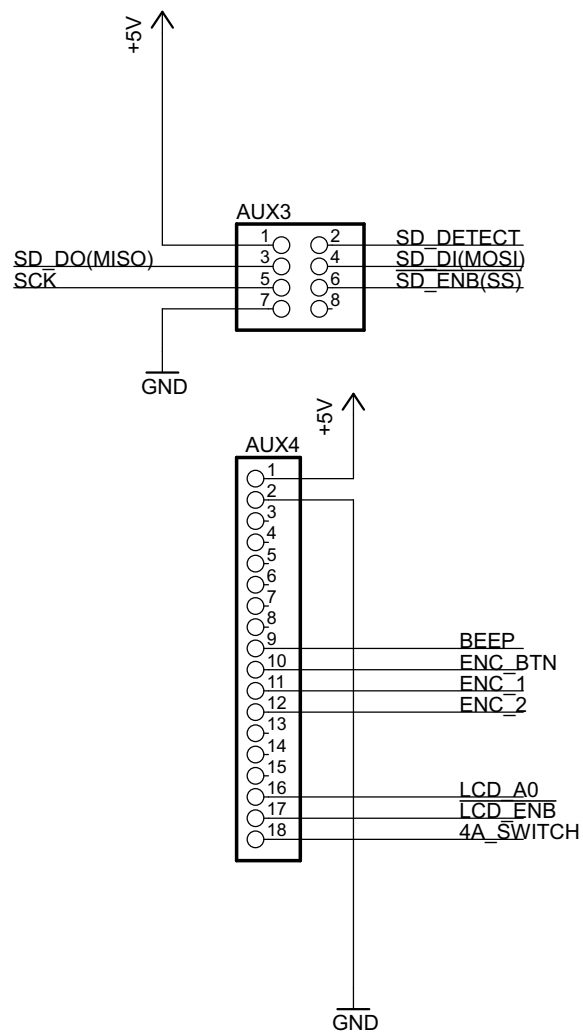


- H1 MOUNT-HOLE3.2
- H2 MOUNT-HOLE3.2
- H3 MOUNT-HOLE3.2
- H4 MOUNT-HOLE3.2

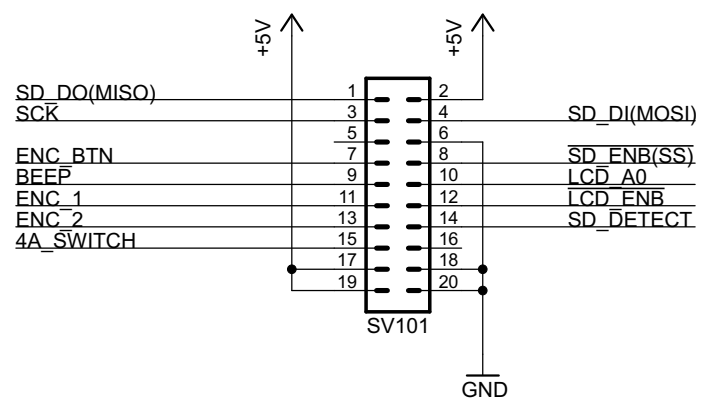
<b>STB RepRap Graphic LCD Controller with Fan Output</b>	
TITLE: GLCD_shield	
Document Number:	REV:
Date: 24.06.2013 18:17:15	Sheet: 1/2

1 2 3 4 5 6

### RAMPS 1.3



### GLCD-Shield



1 2 3 4 5 6