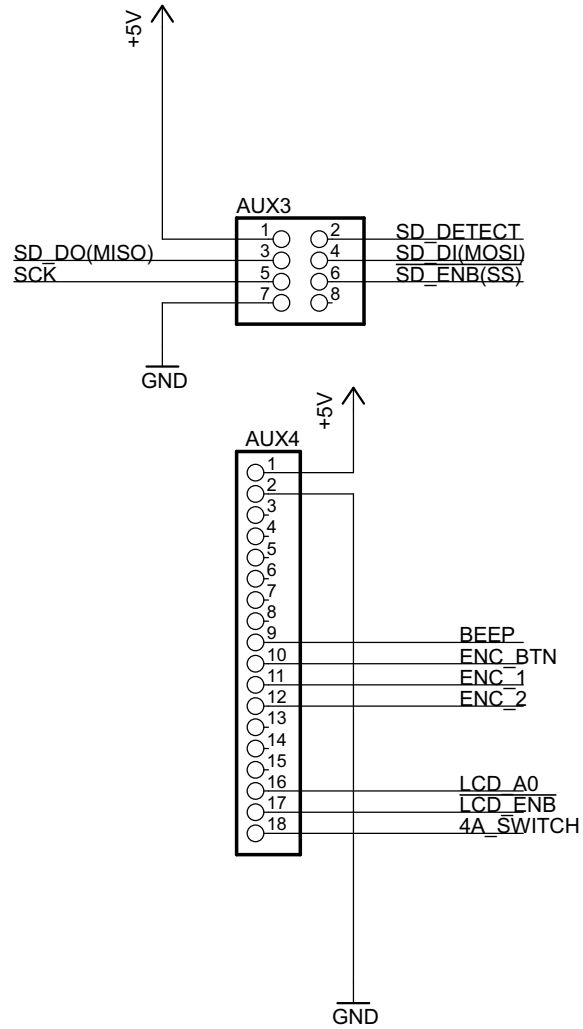
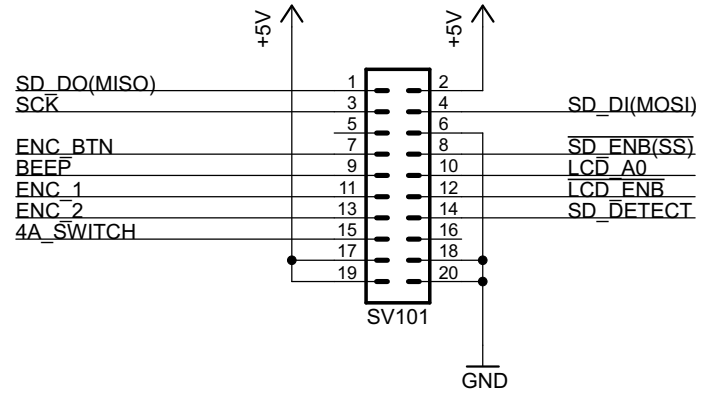


RAMPS 1.3



GLCD-Shield



STB RepRap Graphic
LCD Controller with
Fan Output

RAMPS Adapter	
GLCD_shield	
24.06.2013 18:27:39	
Sheet: 2/2	