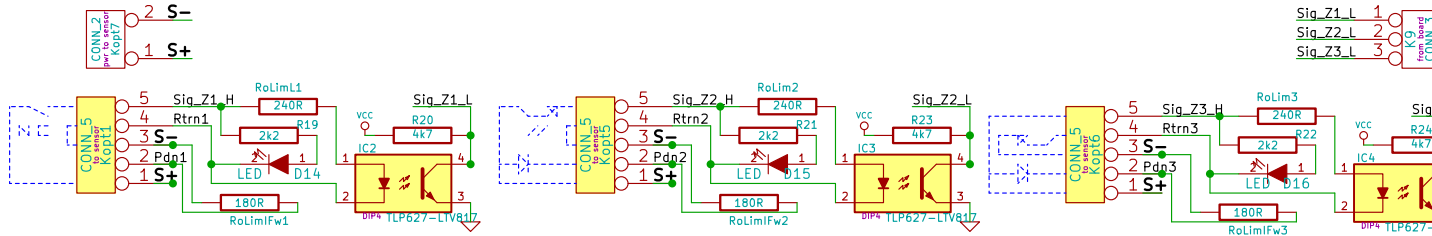


Reprap Development Board Interface: ww.reprap.org/wiki/RDB Main interface board: RDB_TS_001_G_DIY_ADJ

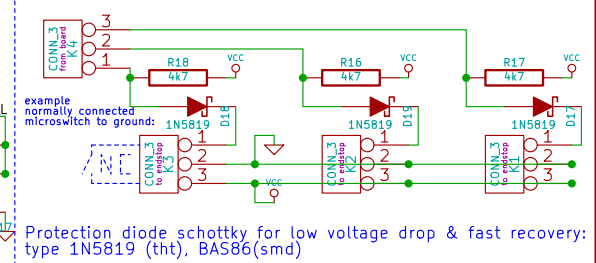
OSHW GLPv3

Endstops (with optoisolation)



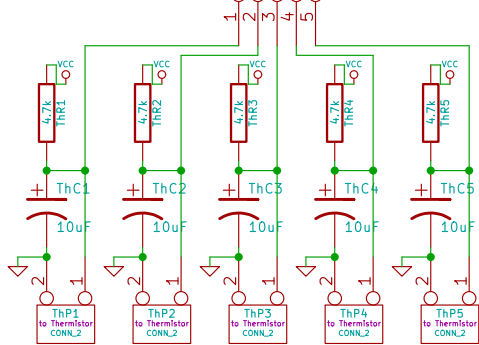
RoLim resistors to be adjusted for voltage used and current needed.

Endstops (with logic lvl)

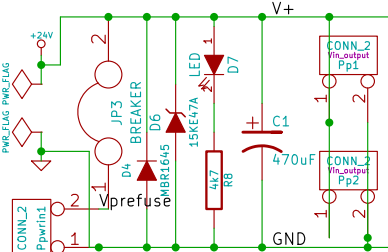


Protection diode schottky for low voltage drop & fast recovery: type 1N5819 (tht), BAS86(smd)

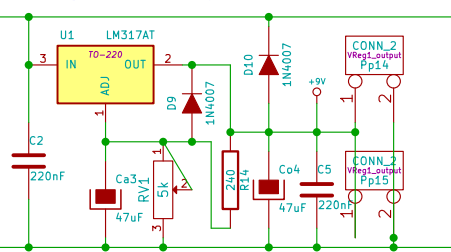
Thermistors



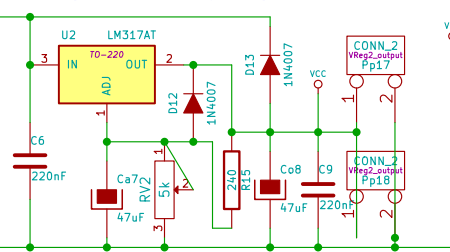
Power input



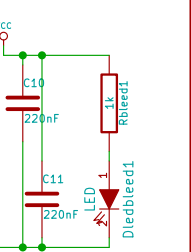
V.Regulator1: adj, board supply



V.Regulator2: adj, logic lvl



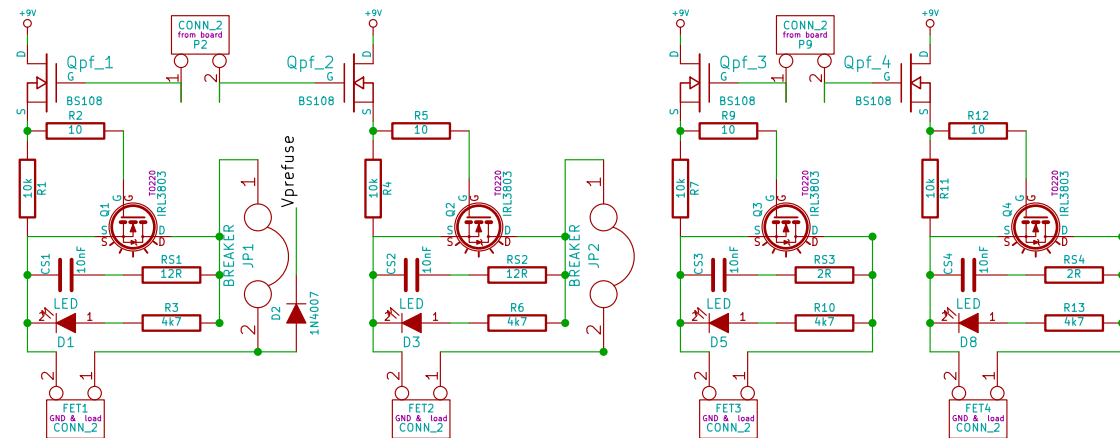
Power ends



MBR or SPST diode current > fuse, Vbr min = Vin*1.3
15KEA transil unidirectional Vbr min extra rating approx *1.2
For 40-56V inputs use LM317HV, transil 15KE68A, SPST/MBR1660

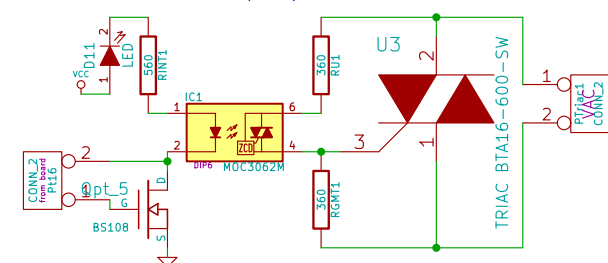
Set Voltage Regulator 2 for logic level voltage.
If development board has its own onboard regulator then match it.
Most regulators 3pin, adj, TO220 are compatible (LM1086), but double check.

Low-side Hexfet Switches (Vdc)



Attention: snubbers generic values; CS preferable high voltage; check RS power dissipation
WARNING: these are low side switches.
Connect fet Source pin to PSU GND directly, and the fet Drain pin to the line coming from load. Load needs V+ directly from psu.

Triac Switch (Vac)



RINT = to give 5mA/moc3063, 10mA/moc3062 15mA/moc3061
RU = 360R/moc306x
RGMT = 360R/moc306x
optional snubber default values RS=39R CS=10nF/1kV/disc

Holes

- X Hole1
- X Hole2
- X Hole3
- X Hole4
- X HoleRad1
- X HoleRad2
- X HoleRad3
- X HoleRad4

www.reprap.org/RDB	
File: RDB_TS_001_G.sch	
Sheet: /	
Title: RDB_TS_001_G_DIY_ADJ	
Size: A4	Date: 23 apr 2013
KiCad E.D.A.	Rev: 001alpha
	Id: 1/1