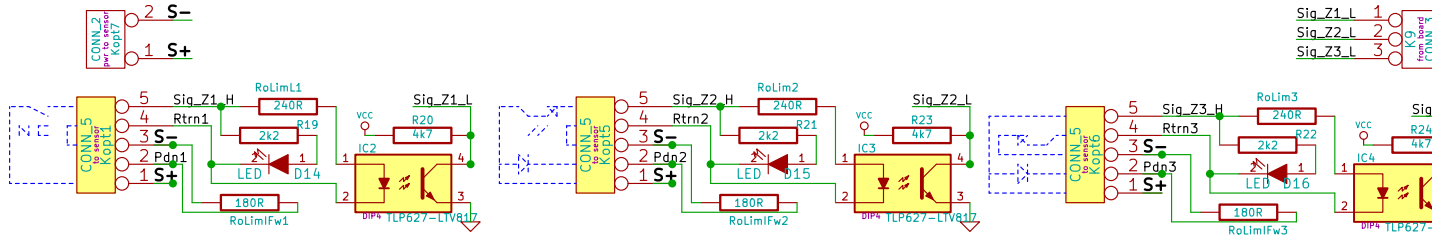
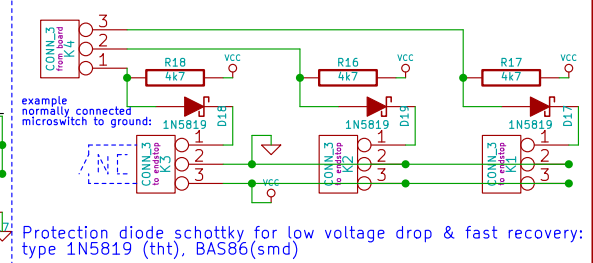


Endstops (with optoisolation)



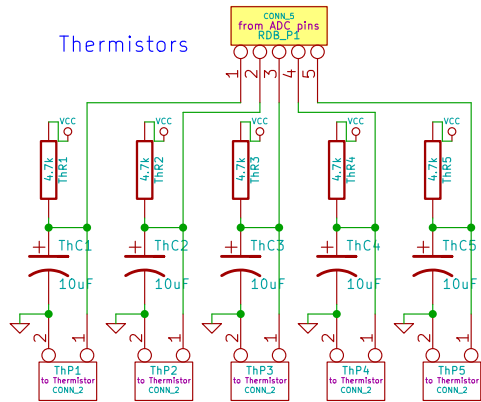
RoLim resistors to be adjusted for voltage used and current needed.

Endstops (with logic lvl)



Protection diode schottky for low voltage drop & fast recovery: type 1N5819 (tht), BAS86(smd)

Thermistors

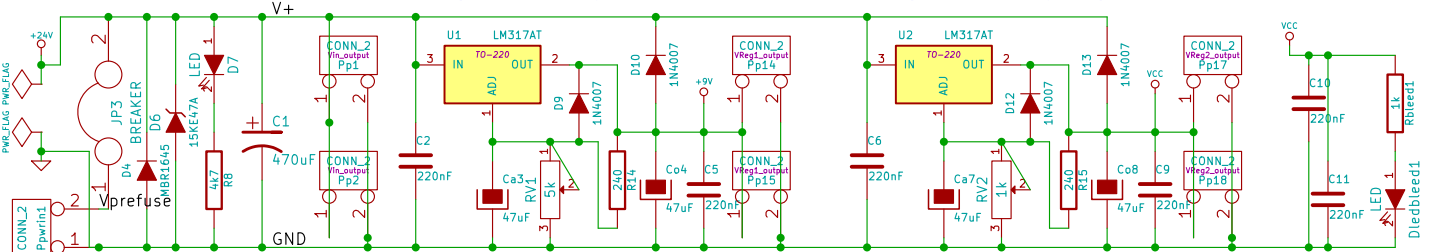


Power input

V.Regulator1: adj, board supply

V.Regulator2: adj, logic lvl

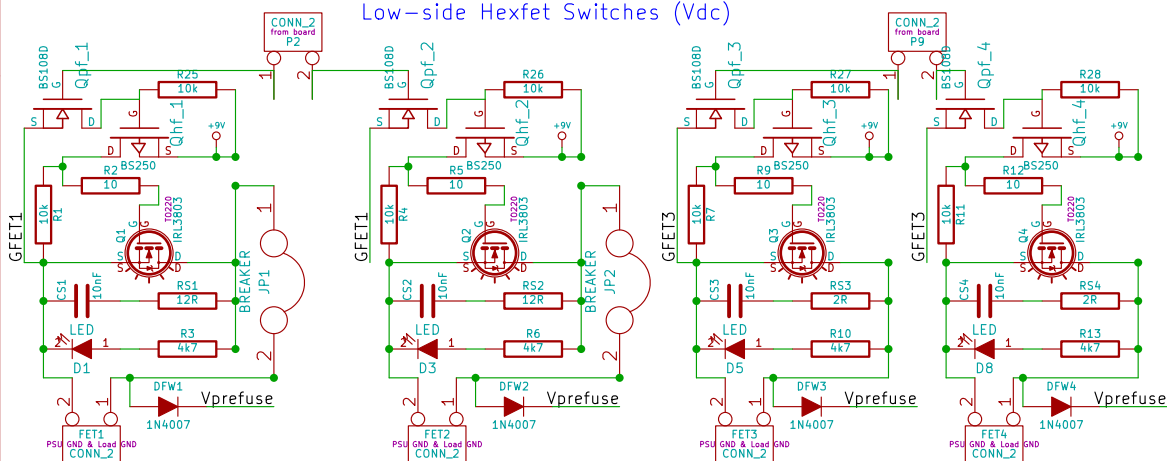
Power ends



MBR or SPST diode current > fuse, Vbr min = Vin\*1.3  
 15KEA transil unidirectional Vbr min extra rating approx \*1.2  
 For 40-56V inputs use LM317HV, transil 15KE68A, SPST/MBR1660

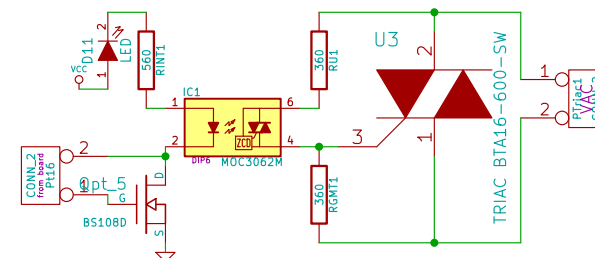
Set Voltage Regulator 2 for logic level voltage.  
 If development board has its own onboard regulator then match it.  
 Most regulators 3pin, adj, TO220 are compatible (LM1086), but double check pinouts.

Low-side Hexfet Switches (Vdc)



Attention: snubbers generic values; CS preferable high voltage; check RS power dissipation  
 WARNING: these are low side switches.  
 Connect fet Source pin to PSU GND directly, and the fet Drain pin to the line coming from load. Load needs V+ directly from psu.

Triac Switch (Vac)



RINT = to give 5mA/moc3063, 10mA/moc3062 15mA/moc3061  
 RU = 360R/moc306x  
 RGMT = 360R/moc306x  
 optional snubber default values RS=39R CS=10nF/1kV/disc

Holes

- X Hole1
- X Hole2
- X Hole3
- X Hole4
- X HoleRad1
- X HoleRad2
- X HoleRad3
- X HoleRad4

[www.reprap.org/RDB](http://www.reprap.org/RDB)

File: RDB\_TS\_001\_G.sch

Sheet: /

Title: RDB\_TS\_001\_G\_DIY\_ADJ

Size: A4

Date: 7 may 2013

Rev: 001alpha

KiCad E.D.A.

Id: 1/1