




Modifying Sanguinololu v1.1 to v1.2

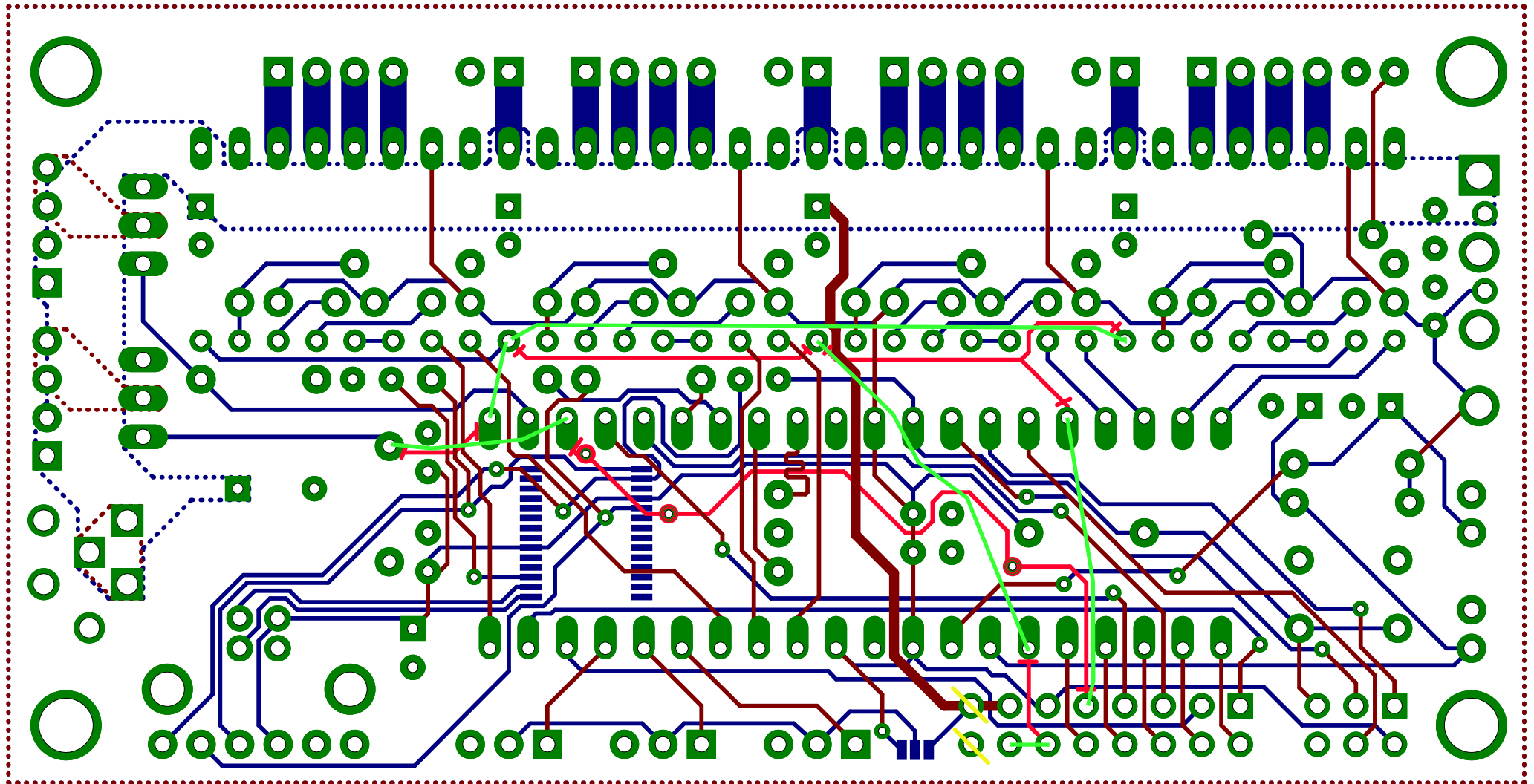
Mod Functionality Status: Unverified

KEY

Redundant track:  and suggested cutting location.

New wire:  Kynar Insulated 30AWG or similar.

Redundant pad:  (Extension Pin Header only.)



Author: H.Mead (hairykiwi) | Doc Date: 2011-07-29 | Doc version: 1

This work is licensed under the Creative Commons Attribution-ShareAlike 3.0 Unported License.